

DHRUV
PART CATALOGUE

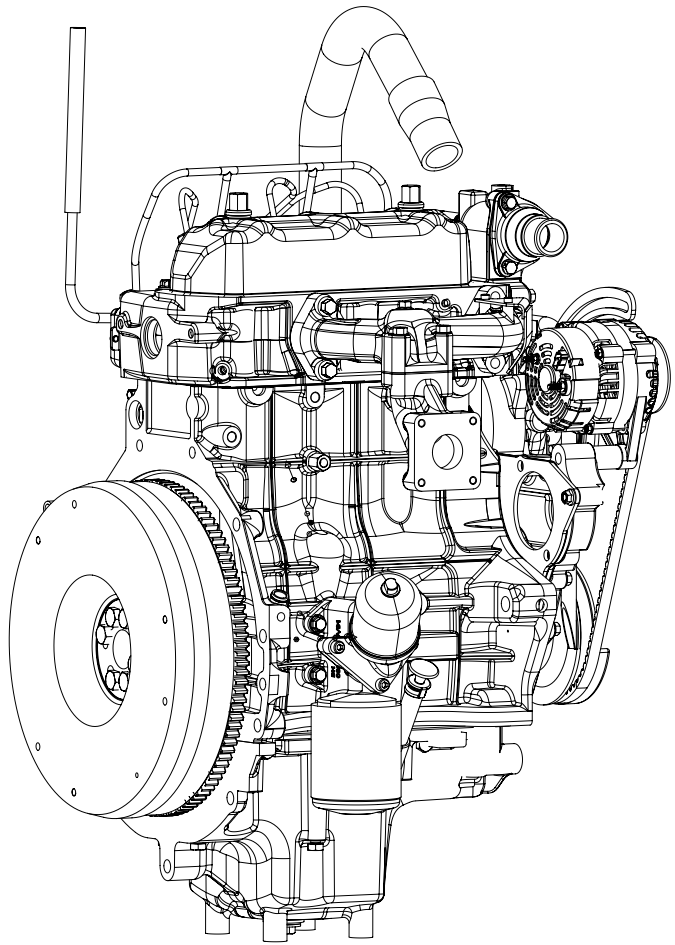
SR.NO.	DESCRIPTION	PG.NO.
	ENGINE	
1	ENGINE - COMPLETE, HALF & REPAIR KITS	2
2	VALVE HOUSING COVER	7
3	EXHAUST SYSTEM	9
4	AIR INTAKE SYSTEM-INTAKE SYSTEM	11
5	AIR INTAKE SYSTEM - DRY	13
6	CYLINDER HEAD ASSY - 3DI	15
7	CYLINDER HEAD ASSY - 4DI	17
8	VALVE TRAIN - 3DI	19
9	VALVE TRAIN - 4DI	21
10	CRANKCASE FRONT COVER	23
11	CRANCKASE WITH OIL PAN - 3DI	25
12	CRANCKASE WITH OIL PAN - 4DI	27
13	SLEEVE PISTON & CONNECTING ROD ASSEMBLY	29
14	LUBRICATION SYSTEM	31
15	LUBRICATION SYSTEM (CENTRIFUGAL OIL FILTER)	33
16	COOLING SYSTEM	37
17	CRANKSHAFT ASSEMBLY - 3DI	37
18	CRANKSHAFT ASSEMBLY - 4DI	39
19	RADIATOR ASSEMBLY	41
20	FUEL INJECTION SYSTEM	43
	SHEET METAL	
21	FRONT AXLE	47
22	FRONT AXLE SUPPORT	49
23	PS CONNECTING TIE ROD AND KNUCKLE ARM	51
24	TIE ROD AND STEERING KNUCKLE MECHANICAL	53
25	HUB ASSEMBLY POWER STEERING	55
26	HSU MOUNTING BRACKET & STEERING COLUMN	57
27	DRAG LINK AND STEERING GEAR BOX	59
28	CLUTCH PEDAL ASSY	61
29	BRAKE PEDAL ASSEMBLY	63
30	DIFFERENTIAL LOCK PEDAL ASSEMBLY	65
31	REAR TOW HOOK	67
32	MIRROR & POWER STEERING GUARD	69
33	HMS & FUEL TANK ASSY	71
34	SEALING DHRUV	73
35	FUEL TANK ASSY	75
36	STICKERS	77

SR.NO.	DESCRIPTION	PG.NO.
37	KNOBS	79
38	SCUTTLE ASSY	81
39	FLOOR PANEL ASSY	83
40	SEAT ASSY	85
41	BATTERY TRAY SUPPORT ASSY	88
42	FENDER RH ASSY	90
43	FENDER LH ASSY	92
44	HOOD ASSY	94
45	FRONT GRILL ASSEMBLY	96
46	TOOL BOX ASSY	98
47	STEERING WHEEL	100
48	HAND BRAKE ASSEMBLY	102
49	FOOT AND HAND ACCELERATOR	104
50	WHEELS	106
51	FRONT BUMPER	108
52	FARMER KIT	110
	TRANSMISSION	
53	CLUTCH ASSEMBLY DIAPHRAGM	113
54	CLUTCH HOUSING-NON RCRPTO	115
55	CLUTCH HOUSING-RCRPTO	117
56	RETAINER SUB ASSEMBLY	119
57	DIFFERENTIAL SUB ASSEMBLY	121
58	DIFFERENTIAL LOCK SUB ASSEMBLY	123
59	RANGE TOP SHAFT SUB ASSY	125
60	SPEED TOP SHAFT ASSEMBLY	127
61	SPEED BOTTOM SHAFT ASSEMBLY	129
62	SPLINE SHAFT SUB-ASSY WITH RANGE GEARS	131
63	SPLINE SHAFT SUB ASSEMBLY	133
64	PTO INTERMEDIATE SHAFT	135
65	PTO SHIFTER SUB ASSY-NON RCRPTO	137
66	PTO SHIFTER SUB ASSY-RCRPTO	139
67	POWER TAKE OFF SUB ASSEMBLY-NON RCRPTO	141
68	POWER TAKE OFF SUB ASSEMBLY-RCRPTO	143
69	SHIFTING ASSY	146
70	SPEED SHIFTING SUB ASSY	148
71	RANGE SHIFTING SUB ASSY	151
72	REVERSE IDLER SHAFT	152
73	PLANETARY SUB ASSY	154
74	RAC SUB ASSY WITH PLANETARY	156

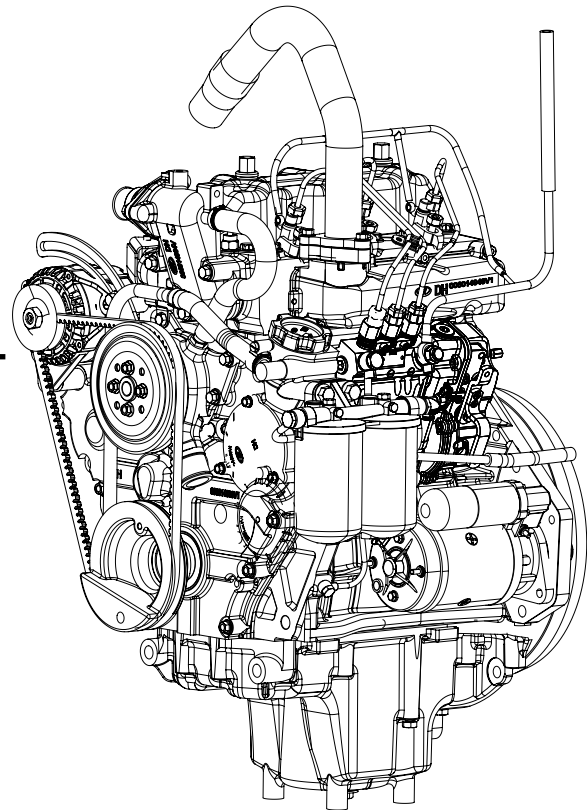
SR.NO.	DESCRIPTION	PG.NO.
75	BRAKE ASSEMBLY	158
76	STRUCTURAL ASSY	160
77	HYDRAULICS	
78	SUCTION PIPE ASSEMBLY - Mechanical	164
79	SUCTION PIPE ASSEMBLY - POWER STEERING	166
80	PRESSURE PIPE ASSEMBLY - Mechanical	168
81	PRESSURE PIPE ASSEMBLY - POWER STEERING	170
82	PIPE ROOTING ASSEMBLY - POWER STEERING	172
83	TIPPING TRAILOR	174
84	DRAFT SENSING ON LIFT ASSY	176
85	QUADRANT & CONTROLVALVE ASSY ON LIFT ASSY	178
86	POWER TRAIN	180
87	LIFT ARM ASSEMBLY	182
88	QUADRANT ASSEMBLY UPPER	184
89	QUADRANT ASSEMBLY LOWER	186
90	CONTROL VALVE ASSEMBLY	188
91	THREE POINT LINKAGES	196
92	SINGLE SPOOL AUX VALVE ASSEMBLY	198
93	TRAILER BRAKE PIPE ASSEMBLY	200
	ELECTRICAL	
94	HEAD LAMP	203
95	P&T LAMP AND COMBINATION LAMP	205
96	PLOUGH LAMP	207
97	INSTRUMENT CLUSTER	209
98	SENSORS AND SWITCHES	211
99	COMBINATION SWITCH ,HORN AND POWER SOCKETS	213
100	FUEL LEVEL SENSOR	215
101	BATTERY	217
102	CABLES (SCUTTLE)	219
103	WIRING HARNESS	221
104	CLIPS	223

ENGINE

ENGINE - COMPLETE, HALF & REPAIR KITS



→ **3 DI**



4 DI ←

ENGINE - COMPLETE, HALF & REPAIR KITS

M&M Part Number	Ref.	Description of Part	Quantity		Remarks / Service Bulletin No.
			3DI	4DI	
ENGINE ASSEMBLY					
ENG265DHSVDPG	*	Full ENGINE Assembly,(ENGINE CPT. 265 BSIIIA - GREY)	1	-	
ENG275DHSVDPG	*	Full ENGINE Assembly,(ENGINE CPT. 275 BSIIIA - GREY)	1		
ENG395DHSVDPG4C	*	Full ENGINE Assembly,(ENGINE CPT. 415 BSIIIA - GREY)	-	1	
ENG425DHSVDPG	*	FULL ENGINE Assembly, (ENGINE CPT. 475 BSIIIA - GREY)	-	1	
ENG575DHSVDPGNA	*	FULL ENGINE Assembly,(ENGINE CPT. 575 BSIIIA -GREY)	-	1	
MAJOR CRANKCASE ASSEMBLY					
006027487V91	*	CRANKCASE Major Assembly (Half Engine) 31HP	1	-	
006024057V91	*	CRANKCASE Major Assembly (Half Engine) 35HP	1	-	
006024067V91	*	CRANKCASE Major Assembly (Half Engine) 39 HP & 42 HP	-	1	
006028440V91	*	CRANKCASE Major Assembly (Half Engine) 45 HP	-	1	
006014712V91	*	→ CRANKCASE ASSLY FINISH 3DI DHRUV	1	-	
006014710V91	*	→ CRANKCASE ASSLY FINISH 4DI DHRUV	-	1	
005551963R1	*	→ PIN DOWEL DIA 1/2 * 2.118 LG	2	2	
005550183R1	*	→ PIN DOWEL 8.045X12.000	2	2	
006510143C1	*	→ DOWEL PIN Ø8X25	2	2	
000020280E05	*	→ PIN DOWEL 8.024X16.000	2	2	
006017519V1	*	→ PRECOATED PLUG M13 X 1.5 X 8	2	2	
000020786E05	*	→ PLUG M10 X 1.0 HEX SOCKET PIPE	1	3	
006022117Y1	*	→ HEX HEAD PLUG M12 X 1.5 X 18	1	-	
000172578	*	→ PLUG EXPANSION G 44.45MM	1	1	
006017521V1	*	→ WELCH PLUG DIA 30.0	3	4	
006017522V1	*	→ PIN DOWEL 14.32 X 20	2	2	
006016823V1	*	→ SLEEVE - WATER DHRUV	1	1	
006000406H1	*	→ OIL PASSAGE PLUG	1	1	
006014915V1	*	→ CRANKSHAFT 3DI - DHRUV	1	-	
006024364V1	*	→ CRANKSHAFT 3DI - DHRUV ELS	1	-	
006014914V1	*	→ CRANKSHAFT 4DI - DHRUV	-	1	
006024535V1	*	→ CRANKSHAFT 4DI - DHRUV ELS	-	1	
006024048V1	*	→ SET of Crankshaft Main Bearing C/O	1	-	
006024072V91	*	→ SET of Crankshaft Main Bearing C/O	-	1	
006008141D1	*	→ COMPACT GEAR CRANKSHAFT	1	1	
000218211	*	→ KEY WOODRUFF 1/4 X 3/4	2	2	
006014977V1	*	→ PULLEY CRANKSHAFT 3DI DHRUV	1	-	
006024487V1	*	→ PULLEY CRANKSHAFT 3DI DHRUV ELS	1	-	
006016555V91	*	→ PULLEY CRANKSHAFT ASSY. 4DI DHRUV	-	1	
006000259B1	*	→ SPACER CRANKSHAFT PULLEY	1	1	
006000260B1	**	→ BOLT HEX M14 X 1.5 X 32 X 10.9	1	1	
006015937B91	*	→ BEARING CLUTCH PILOT	1	1	
000020269E05	*	→ PIN DOWEL	2	2	
006017796V1	*	→ GASKET_FRONT_PLATE_BANCO_DHRUV	1	1	
006014038V1	*	→ PLATE CRANKCASE FRONT DHRUV	1	1	

ENGINE - COMPLETE, HALF & REPAIR KITS

M&M Part Number	Ref.	Description of Part	Quantity		Remarks / Service Bulletin No.
			3DI	4DI	
000020311E05	*	→ BOLT HEXFL M6X1.00X16.5X8.8	1	1	
000703636R1	*	→ WASHER TAB	1	1	
000060387M01	*	→ BOLT HEXFL M8X1.25X16X8.8	1	1	
006022334V1	*	→ SCREW M6 X 1	1	1	
006024058V91	*	→ SET of Sleeve, Piston, Rings	1	1	
006028441V91	*	→ SET of Sleeve, Piston, Rings ELS	1	1	
006014909V91	*	→ CONNECTING ROD ASSEMBLY- DHRUV	3	4	
006014909V91	*	→ CONNECTING ROD ASSEMBLY- DHRUV ELS	3	4	
006016793V1	*	→ BEARING CONNECTING ROD KOEL - DHRUV	6	8	
006024365V1	*	→ BEARING CONNECTING ROD KOEL - DHRUV ELS	6	8	
005557320R1	*	→ CAMSHAFT 3 CYLINDER	1	-	
006015362B1	*	→ CAMSHAFT 4 CYLINDER	-	1	
000218217	*	→ KEY WOODRUFF 3/16 X 5/8	1	1	
006008140D1	*	→ COMPACT GEAR CAM SHAFT	1	1	
006000372R1	*	→ PLATE THRUST CAMSHAFT	1	-	
006015361H1	*	→ CAMSHAFT THRUST PLATE 4025 MODEL	-	1	
000020307E05	*	→ BOLT HEXFL M8X1.25X20X8.8	2	2	
006011999B1	*	→ FIP FLANGE PLATE BS3A	1	1	
000020307E05	*	→ BOLT Flanged M8 X 1.25- 6g X 20 HEX-H3	4	4	
006013257B1	*	→ BS3A STEEL FIP GEAR	1	1	
006015018V91	*	→ OIL PUMP ASSLY - DHRUV	1	1	
006025336V91	*	→ OIL PUMP ASSLY - DHRUV ELS	1	1	
000015916RD	*	→ SCREEN ASSY OIL PUMP	1	1	
006025509V1	*	→ GASKET OIL PUMP TO STRAINER - DHRUV ELS	1	1	
000179791	*	→ BOLT HEX G6.35 X 1.27 X 12.7 X 5	2	2	
001082010R2	*	→ WASHER G 6.35 MM SPRING LOCK	2	2	
000020314E05	*	→ BOLT HEX M10X1.5X32X8.8	1	1	
006008575D91	*	→ IDLER GEAR ASSY. NVH COMPACT	1	1	
000703853R4	*	→ IDLER GEAR SHAFT	1	1	
001232850R1	*	→ PIN ROLL 4.9MMX15.9MM	1	1	
006018321V1	*	→ IDLER GEAR BOLT M12X1.25X50.5-10.9 GRADE	1	1	
006017794V1	*	→ GASKET_FRONT_COVER_BANCO_DHRUV	1	1	
006014039V1	*	→ COVER CRANKCASE FRONT DHRUV	1	1	
006015011V1	*	→ OIL SEAL CRANKSHAFT FRONT SFN -DHRUV	1	1	
000020777E05	*	→ NUT HEX FL M8X1.25X8.7X8	4	4	
000020254E05	*	→ BOLT HEXFL M8X1.25X45.5X8.8	9	9	
000020792E05	*	→ BOLT HEXFL M8X1.25X70.7X8.8	6	6	
000020256E05	*	→ BOLT HEXFL M8X1.25X55X8.8	1	1	
000020307E05	*	→ BOLT HEXFL M8X1.25X20X8.8	1	1	
006020781V1	*	→ ADAPTOR BLOWBY- DHRUV	1	1	
006016824V1	*	→ RADIAL O-RING-ID33.5*THK2.65	1	1	
006020780V91	*	→ PIPE BLOWBY - DHRUV	1	1	
005556668R91	*	→ HD4EP-201,CLIP PIPE RES.TO PUMP-WORM	1	1	
006014907V1	*	→ COVER - FIP GEAR DHRUV	1	1	
006015004V1	*	→ O RING FIP GEAR COVER-DHRUV	1	1	
000020312E05	*	→ BOLT HEXFL M6X1.00X20.5X8.8	3	3	
000708907R1	*	→ GASKET RETAINER CR OIL SEAL	1	1	

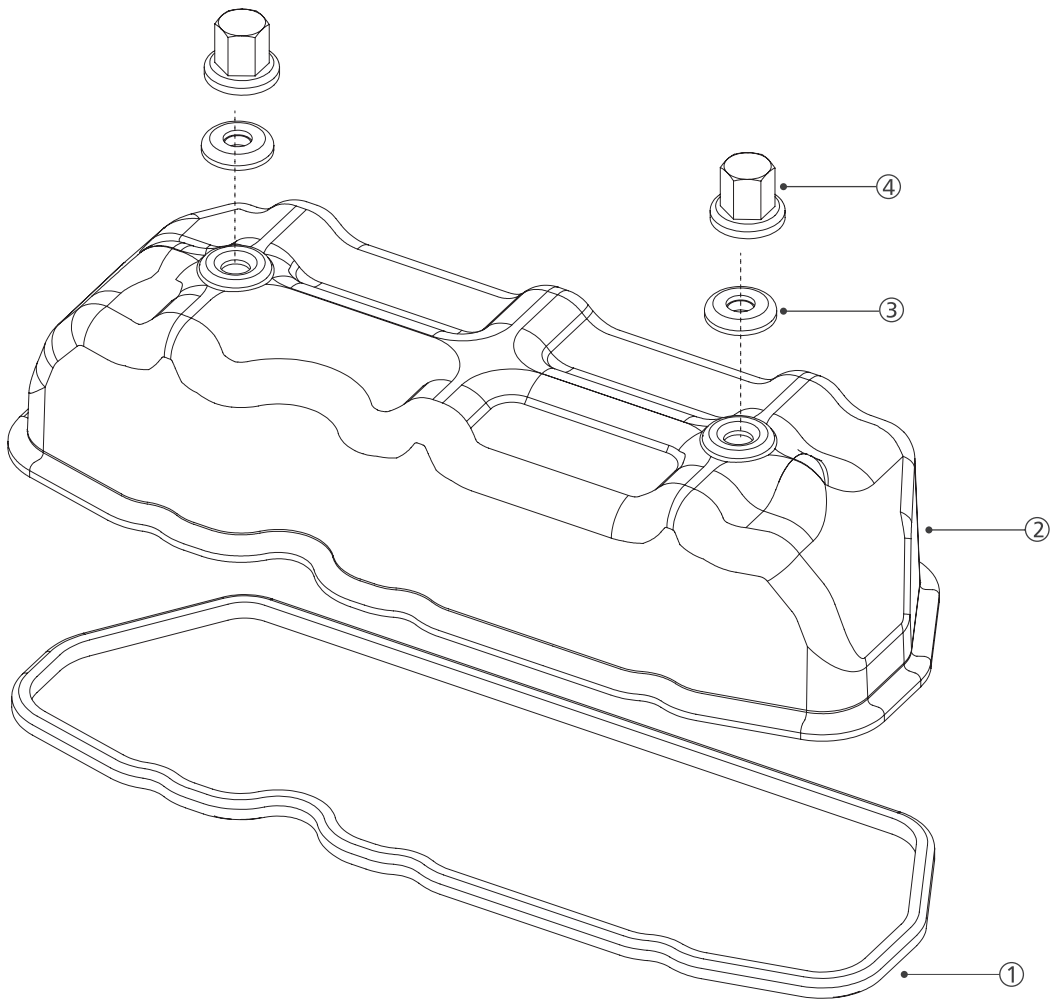
ENGINE - COMPLETE, HALF & REPAIR KITS

M&M Part Number	Ref.	Description of Part	Quantity		Remarks / Service Bulletin No.
			3DI	4DI	
006015024V1	*	→ RETAINER CRANK REAR OIL SEAL - DHRUV	1	1	
006015012V1	*	→ OIL SEAL CRANKSHAFT REAR SFN - DHRUV	1	1	
000020309E05	*	→ BOLT HEXFL M8X1.25X25.5X8.8	7	7	
006014899V1	*	→ OIL SUMP 3DI DHRUV	1	-	
006014897V1	*	→ OIL SUMP 4DI DHRUV	-	1	
006503852D1	*	→ BOLT HEX M10X1.5X70X8.8	10	12	
006000554H1	*	→ BOLT HEX M10X1.25X130X8.8	4	4	
000022273RD	*	→ WASHER SPRING LOCK M10	17	14	
006000110F1	*	→ PLUG HEX HEAD SCREW-Rear Earth Magnet	1	1	
006022336V1	*	→ WASHER OIL DRAIN PLUG DHRUV	1	1	
006018119V91	*	→ DIPSTICK ASSY 3DI TC- DHRUV	1	-	
006018120V91	*	→ DIPSTICK ASSY 4DI NA- DHRUV	-	1	
006020761V1	*	→ DIPSTICK ADAPTOR	1	1	
000020808E05	*	→ ADAPTER FOR OIL PRESSURE TRANSDUCER	1	1	
000022019RD	*	→ TAPPET VALVE	6	8	
		SET OF SLEEVE, PISTON, RINGS			
006024058V91	*	SET of Sleeve, Piston, Rings	3	4	
006028441V91	*	SET of Sleeve, Piston, Rings ELS	3	4	
006015926V1	*	→ PISTON NA DHRUV	3	4	
006025427V1	*	→ PISTON NA DHRUV ELS	3	4	
000020418E05	*	→ PIN PISTON	3	4	
000020419E05	*	→ RETAINER PISTON PIN	6	8	
006024062V91	*	→ SET Piston Ring	3	4	
006014927G1	*	→ SLEEVE (LINER) DHRUV	3	4	
006020783V1	*	→ O' RING SLEEVE CRANKCASE HNBR	6	8	
		KIT MAJOR REPAIR			
006027490V91	*	KIT Major Engine Repair 31 HP	1	-	
006024056V91	*	KIT Major Engine Repair 35 HP	1	-	
006024069V91	*	KIT Major Engine Repair 39 HP & 42 HP	-	1	
006027491V91	*	KIT Major Engine Repair 45HP	-	1	
006015011V1	*	→ OIL SEAL CRANKSHAFT FRONT SFN -DHRUV	1	1	
006015012V1	*	→ OIL SEAL CRANKSHAFT REAR SFN - DHRUV	1	1	
000172578	*	→ PLUG EXPANSION G 44.45MM	1	1	
005550349R91	*	→ SEAL VALVE	6	8	
005557570R1	*	→ VALVE SPRING - STIFFENED	6	8	
006022334V1	*	→ SCREW M6 X 1	1	1	
006027504V91	*	→ SET of Valves Cpte	1	1	
006024058V91	*	→ SET of Sleeve, Piston, Rings	3	4	
006024068V91	*	→ SET of Sleeve, Piston, Rings ELS	3	4	
006024060V91	*	→ GASKET Package Engine Cpte.	1	-	
006024071V91	*	→ GASKET Package Engine Cpte.	-	1	

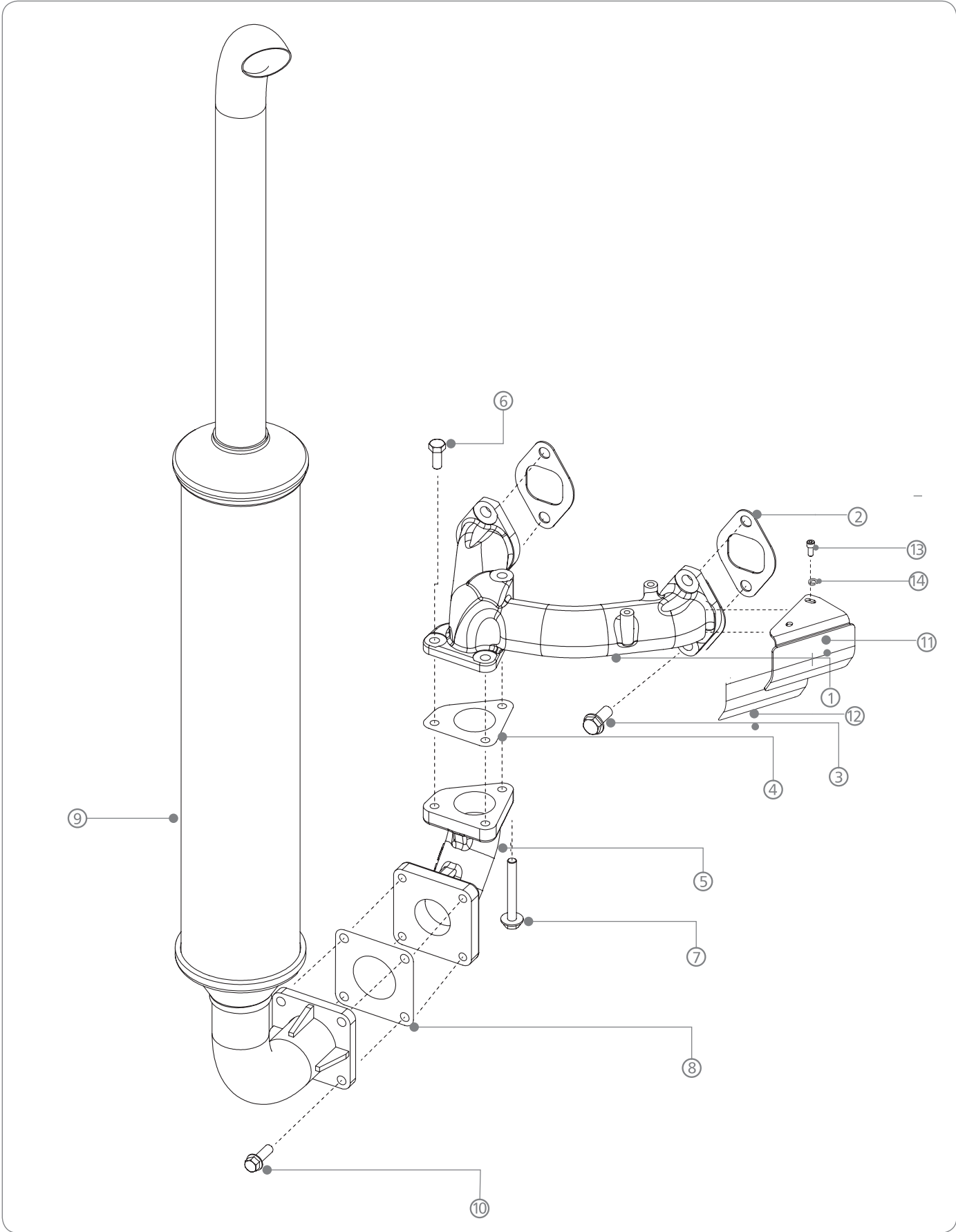
ENGINE - COMPLETE, HALF & REPAIR KITS

M&M Part Number	Ref.	Description of Part	Quantity		Remarks / Service Bulletin No.
			3DI	4DI	
KIT MINOR REPAIR					
006024059V91	*	KIT Minor Engine Repair	1	-	
006024070V91	*	KIT Minor Engine Repair	-	1	
006024062V91	*	→ SET Piston Ring	1	-	
006020783V1	*	→ O' RING SLEEVE CRANKCASE HNBR	6	8	
006014927G1	*	→ SLEEVE (LINER) DHRUV	3	4	
006020087V1	*	→ GASKET_INTAKE MANIFOLD_3DI_DHRUV	1		
006020086V1	*	→ GASKET_INTAKE MANIFOLD_4DI_DHRUV		1	
006022153V1	*	→ GASKET-EXH-MANIFOLD-DHRUV	2	2	
006017552V1	*	→ GASKET VALVE HOUSING COVER - 3DI - BANCO	1		
006017553V1	*	→ GASKET VALVE HOUSING COVER - 4DI - BANCO		1	
006015001V1	*	→ GASKET CYLINDER HEAD 3DI- DHRUV	1		
006015000V1	*	→ GASKET CYLINDER HEAD 4DI- DHRUV		1	
GASKET PACKAGE					
006024060V91	*	GASKET Package Engine Cpte.	1	-	
006024071V91	*	GASKET Package Engine Cpte.	-	1	
006017796V1	*	→ GASKET FRONT PLATE BANCO DHRUV	1	1	
006025888V1	*	→ GASKET F.I.P.	1	1	
006017794V1	*	→ GASKET FRONT COVER BANCO DHRUV	1	1	
000708907R1	*	→ GASKET RETAINER CR OIL SEAL	1	1	
006020087V1	*	→ GASKET_INTAKE MANIFOLD_3DI_DHRUV	1	-	
006020086V1	*	→ GASKET_INTAKE MANIFOLD_4DI_DHRUV	-	1	
000015490RD	*	→ GASKET 3 DI THERMOSTAT HSG AVL	1	-	
001233545R1	*	→ GASKET 4 DI THERMOSTAT HSG AVL	-	1	
003065125R2	*	→ GASKET THERMOSTAT	1	-	
006015001V1	*	→ GASKET CYLINDER HEAD 3DI- DHRUV	1	-	
006015000V1	*	→ GASKET CYLINDER HEAD 4DI- DHRUV	-	1	
006022153V1	*	→ GASKET-EXH-MANIFOLD-DHRUV	2	2	
006017552V1	*	→ GASKET VALVE HOUSING COVER - 3DI DHRUV	1	-	
006017552V1	*	→ GASKET VALVE HOUSING COVER - 4DI DHRUV		1	
006015017V1	*	→ GASKET PIPE - STUB PIPE - DHRUV 39HP,45HP		1	
006018720V1	*	→ GASKET_CENTRIFUGAL FILTER HEAD_DHRUV	1	1	
006014898V1	*	→ GASKET OIL FILTER - DHRUV	1	1	
006015025V1	*	→ GASKET STUB PIPE - SILENCER - DHRUV	1	1	
ENGINE MAIN BEARING SETS					
006024048V1	*	SET of Crankshaft Main Bearing Cpte	1	-	
006024072V91	*	SET of Crankshaft Main Bearing Cpte	-	1	
006014923V1	*	→ BEARING CR'SFT FRONT TOP KOL- DHRUV	3	4	
006014924V1	*	→ BEARING CR'SFT FRONT BOT KOL- DHRUV	3	4	
006014925V1	*	→ BEARING CR'SFT REAR TOP KOL- DHRUV	1	1	
006014926V1	*	→ BEARING CR'SFT REAR BOT KOL- DHRUV	1	1	

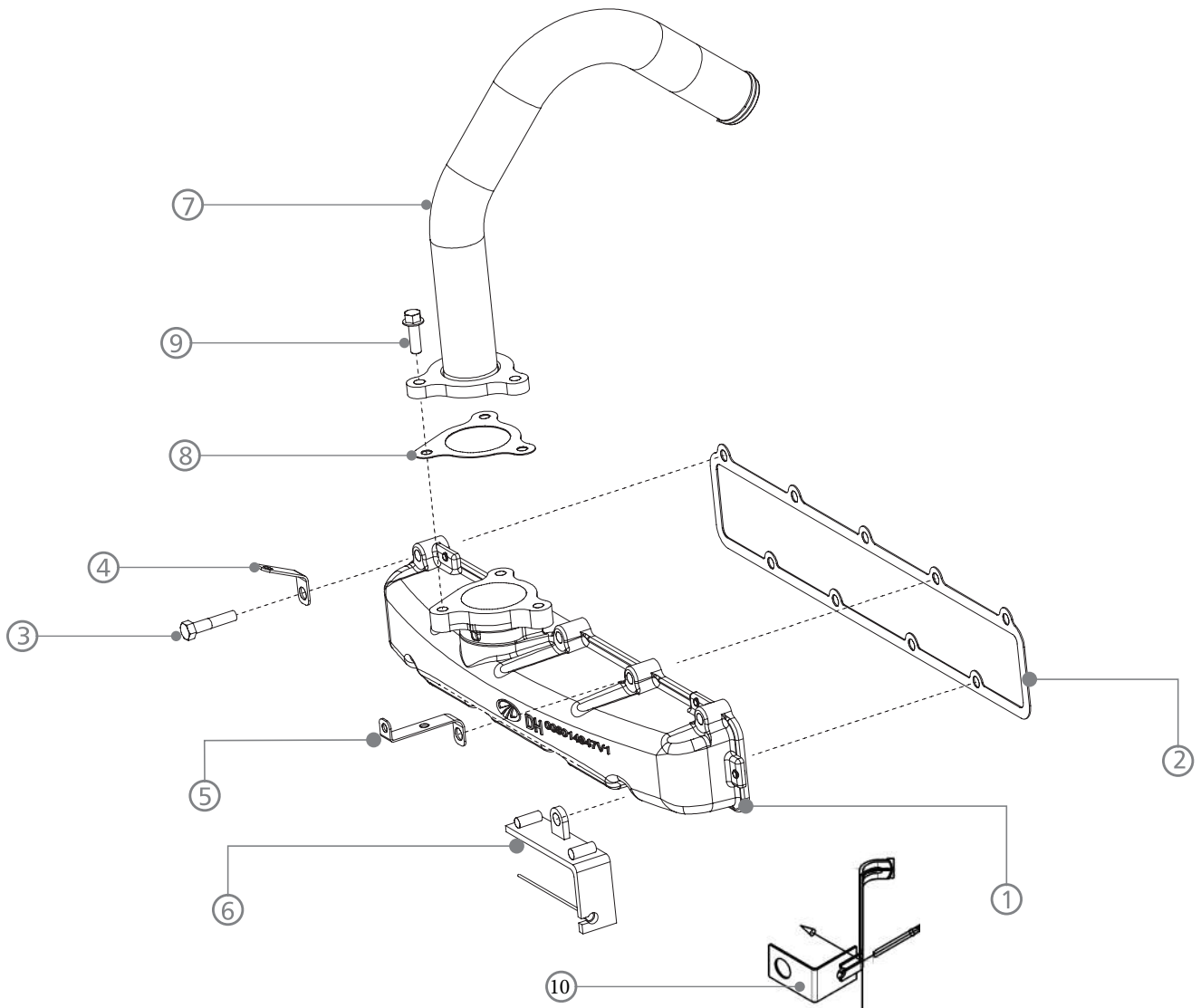
VALVE HOUSING COVER



EXHAUST SYSTEM



AIR INTAKE SYSTEM

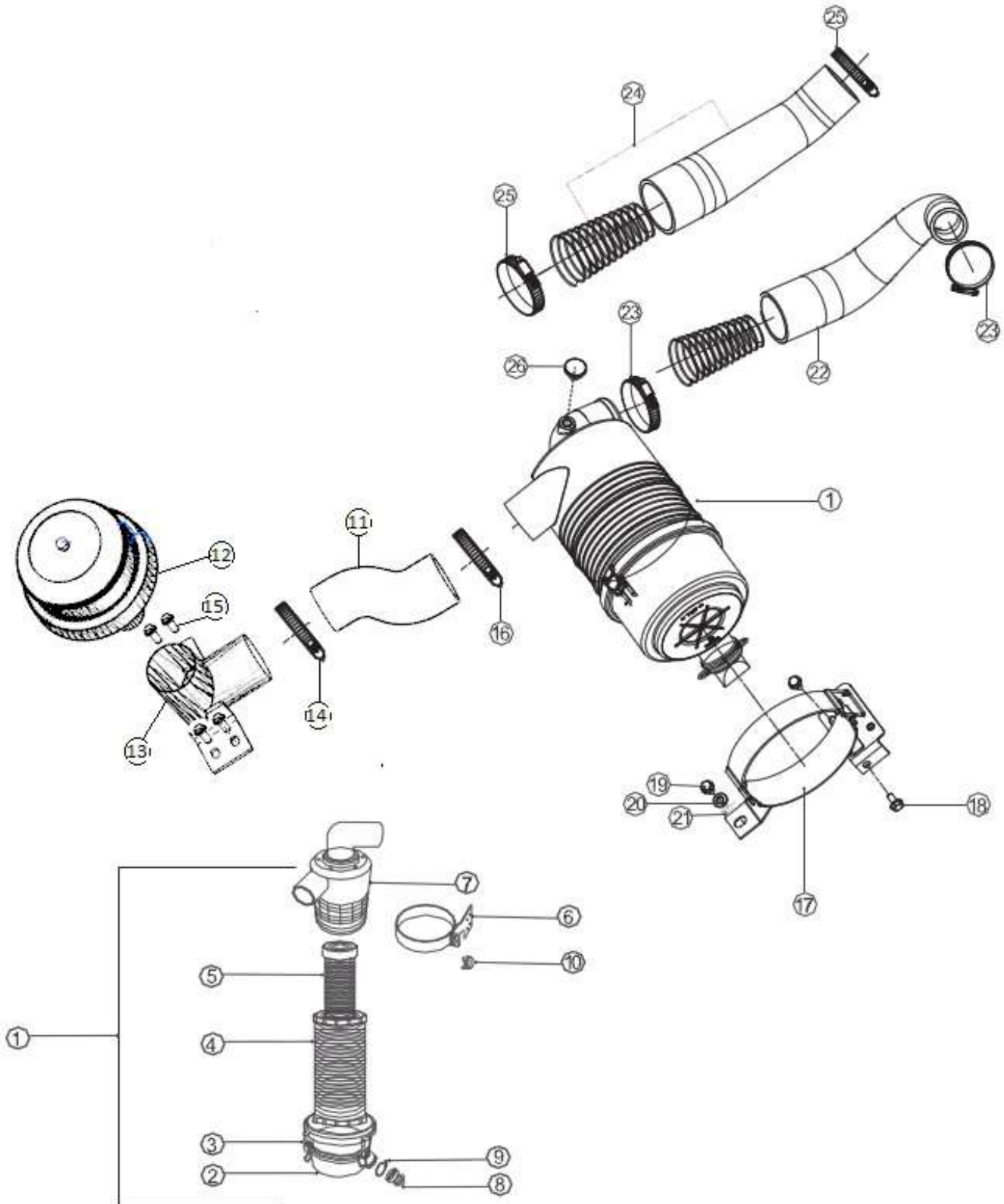


AIR INTAKE SYSTEM

M&M Part Number	Ref.	Description of Part	Quantity		Remarks / Service Bulletin No.
			3DI	4DI	
006014947V1	1	MANIFOLD INTAKE 4DI DHRUV	-	1	
006014948V1	1	MANIFOLD INTAKE 3DI DHRUV	1	-	
006020086V1	2	GASKET_INTAKE MANIFOLD_4DI_DHRUV	-	1	
006020087V1	2	GASKET_INTAKE MANIFOLD_3DI_DHRUV	1	-	
000020253E05	3	BOLT HEX M8X1X40X8.8	6	9	
007702188V91	4	L CLIP-SHORT	2	2	
007702170V91	5	L CLIP-LONG	1	1	
007611118V91	6	BRACKET-PULL TO STOP 4 DI		1	
007610862V11	6	BRACKET-PULL TO STOP3 DI	1		
006014941V1	7	PIPE TC HOSE TO INTAKE DHRUV - 3DI	1	1	
006018452V1	8	GASKET_AIR INTAKE MANIFOLD_PIPE TC	1	1	
000020309E05	9	BOLT HEXFL M8X1.25X25.5X8.8	3	3	
005559255B1	10	MAXIFUSE MTG BRACKET -NST (EXPORT)	1	1	

* Parts Not Illustrated / ‡ Not Serviceable Separately / ◆ Alternate Part Number / A/R As Required

AIR INTAKE SYSTEM-DRY AIR CLEANER

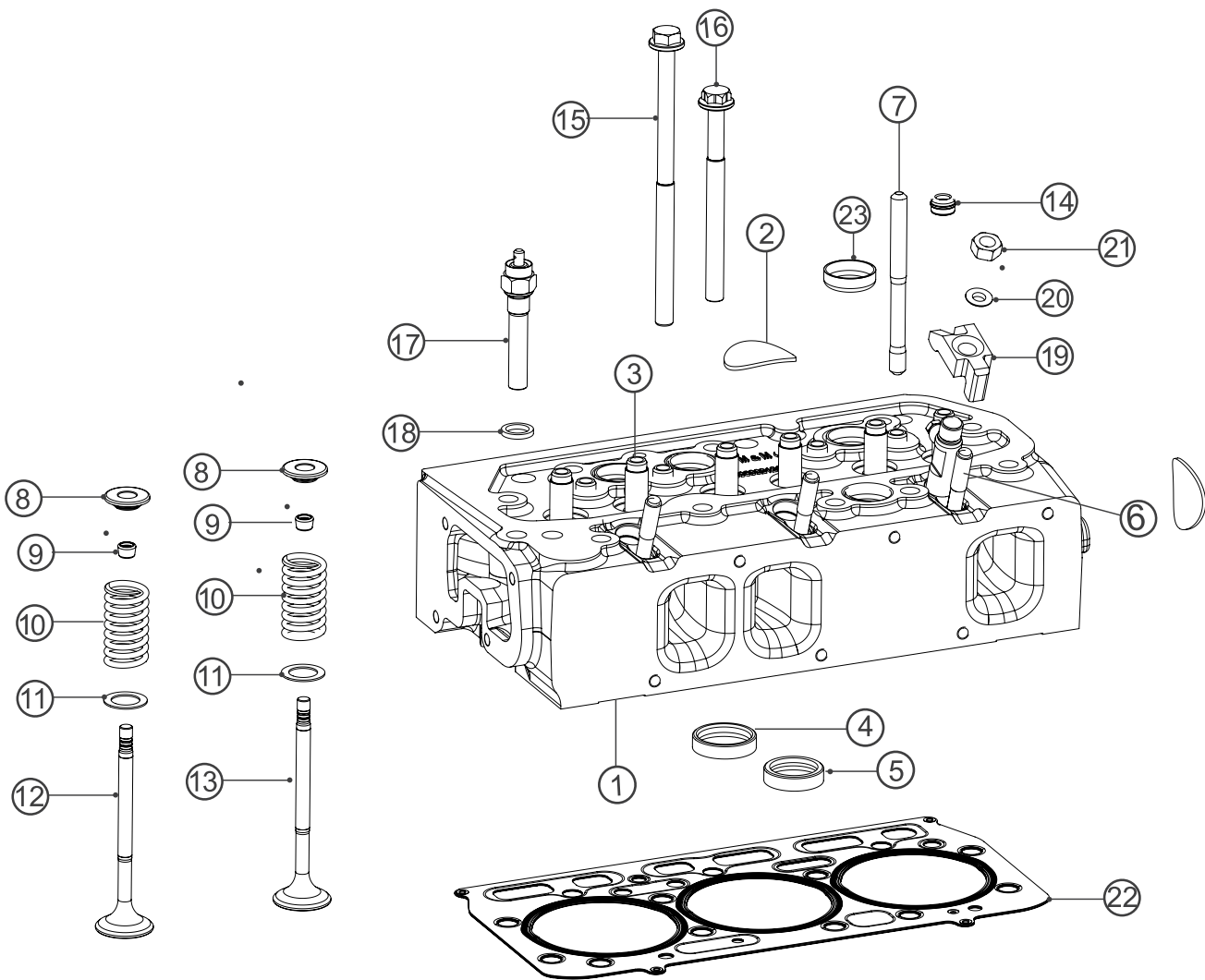


AIR INTAKE SYSTEM-DRY AIR CLEANER

M&M Part Number	Ref.	Description of Part	Quantity		Remarks / Service Bulletin No.
			3DI	4DI	
006014929V91	1	AIR CLEANER 6" DONALDSON	1	1	
006011966B91	2	→ COVER ASSEMBLY	1	1	
‡	3	→ ASSEMBLY LATCH	3	3	
006000455F1	4	→ PRIMARY ELEMENT	1	1	
006000456F1	5	→ SAFETY ELEMENT	1	1	
006008476B91	6	→ BRACKET AIR CLEANER-3DI	1	-	
007604683B91	6	→ BRACKET AIR CLEANER-4D1	-	1	
‡	7	→ BODY AIR CLEANER	1	1	
006000490F1	8	→ UNLOADER DUST	1	1	
006000492F1	9	→ CLIP DUST UNLOADER	1	1	
000061197M01	10	→ NUT WING	1	1	
006025455V11	11	HOSE PRECLEANER	1	1	
006025703V1	11	HOSE PRECLEANER - 4DI	1	1	
006000329R91	12	PRE CLEANER	1	1	
006025454V11	13	PIPE PRECLEANER	1	1	
005555585R91	14	HOSE CLIP	1	1	
000020307E05	15	FLANGE BOLT M8X1.25X20	1	1	
006004798F1	16	CLIP FOR RADIATOR (DIA 80) GREEN PASSIVATED	2	2	
006014956V91	17	BRACKET AIR CLEANER ASSY. - DHRUV	1	1	
000020308E05	18	BOLT HEXFL M8X1.25X17.5X8.8	3	3	
000020309E05	19	BOLTHEXFLM8X1.25X25.5X8.8	1	1	
000020739E05	20	WASHER PLAIN G 8.5 X 25 X 3	1	1	
006022352V1	21	GROMMET RADIATOR BRACE MOUNTING DHRUV	1	1	
006023837V91	22	HOSE ASSLY AC TO PIPE 4DI NA DHRUV-DON	-	1	
000013499P04	23	HOSECLIPFORPUMPMANIFOLD DIA.43	-	1	
006025678V1	24	HOSE ASSY AC TO INTAKE PIPE - 3DI	1	-	
006004797F1	25	CLIP FOR RADIATOR (GREEN PASSIV)	4	4	
008000579B91	26	CLOG SENSOR	1	1	
007600291B1	★	CAP SEALING PRECLEANER & HOOD	1	1	

* Parts Not Illustrated / ‡ Not Serviceable Separately / ♦ Alternate Part Number / A/R As Required

CYLINDER HEAD ASSY - 3DI

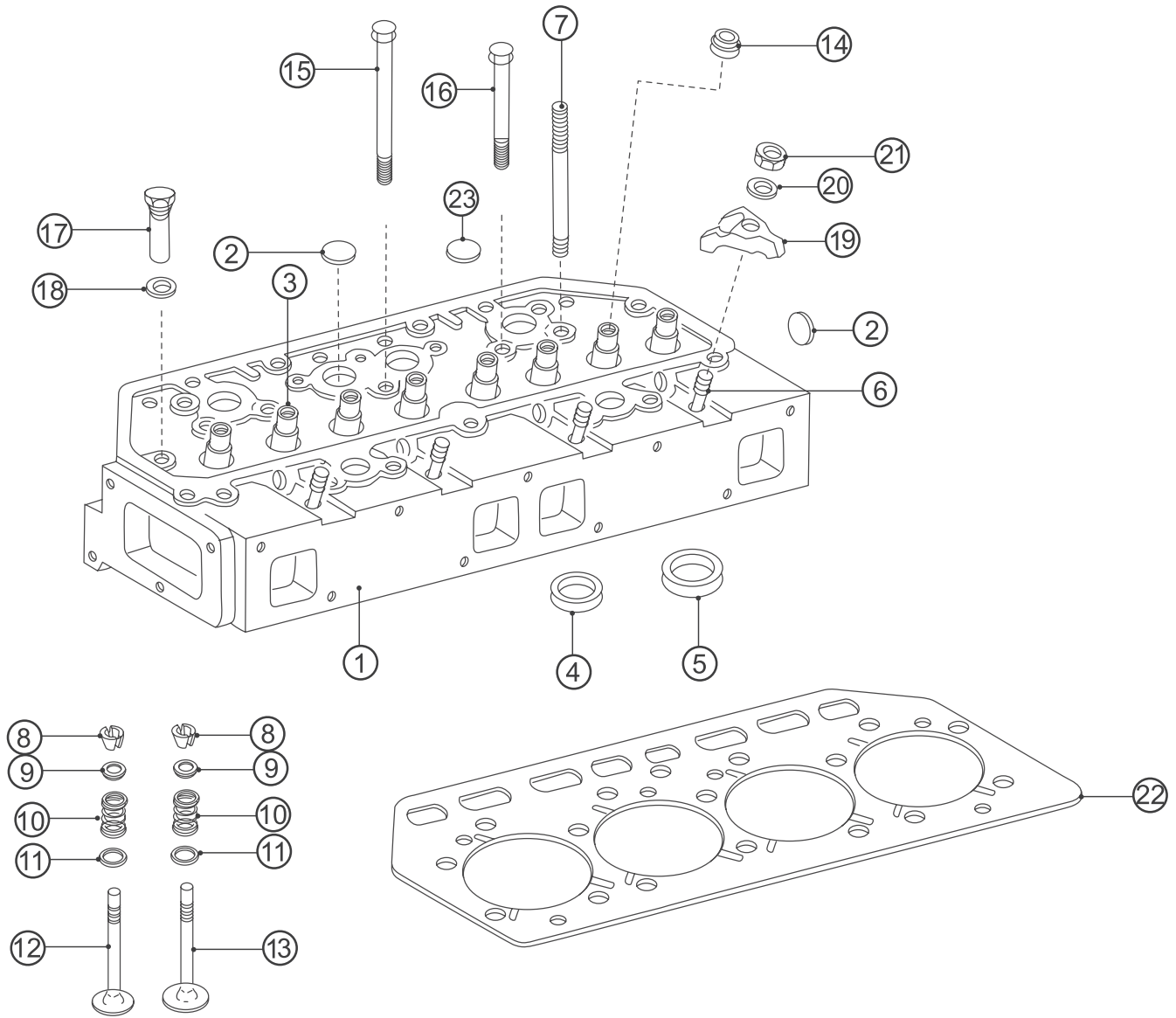


CYLINDER HEAD ASSY - 3DI

M&M Part Number	Ref.	Description of Part	Quantity	Remarks / Service Bulletin No.
			3DI	
006027494V91	*	ASSY CYLINDER HEAD 3DI (WITH VALVES)	1	
006017544B92	1	ASSY CYLINDER HEAD 3DI	1	
000172578	2	→ PLUG EXPANSION G 44.45MM	1	
005551140R1	3	→ VALVE GUIDE	6	
006000362R1	4	→ VALVE SEAT INLET	3	
006000363R1	5	→ VALVE SEAT EXHAUST	3	
000020266E05	6	→ STUD-SACTOR 31 HP	3	
006022865V1	7	→ STUD M10 X 1.5 VALVE HSG COVER COMPACT	2	
005557681R1	8	→ LOCK VALVE SPRING RETAINER	12	
005557631R1	9	→ CUP VALVE SPRING RETAINER UPPE	6	
005557570R1	10	→ VALVE SPRING - STIFFENED	6	
000022008RD	11	→ WASHER CUP VRSL	6	
005557659R1	12	→ VALVE INTAKE-CHROM.FLASH-MTGR	3	
006009543B1	13	→ VALVE EXHAUST	3	
005550349R91	14	SEAL VALVE	6	
006014999V1	15	BOLT CYLINDER HEAD (LONG)	1	
006014998V1	16	BOLT CYLINDER HEAD (SHORT)	12	
005551426R2	17	SENSOR TEMP. GAUG	1	
005551425R2	◆	SENSOR TEMP. GAUG	1	
005550766R3	18	WASHER COPPER TEMP. SENSOR	1	
008000010F1	19	CLAMP NOZZLE HOLDER 738DI 31 HP	1	
000020289E05	20	WASHER - CLAMP NOZZLE HOLDER 3HP	3	
000020777E05	21	NUT HEX M10 X 1.5 X 8 X 8 31HP	3	
006015001V1	22	GASKET CYLINDER HEAD 3DI- DHRUV	1	
000022289RD	23	PLUG WATER JET	3	

* Parts Not Illustrated / ‡ Not Serviceable Separately / ◆ Alternate Part Number / A/R As Required

CYLINDER HEAD ASSY - 4DI

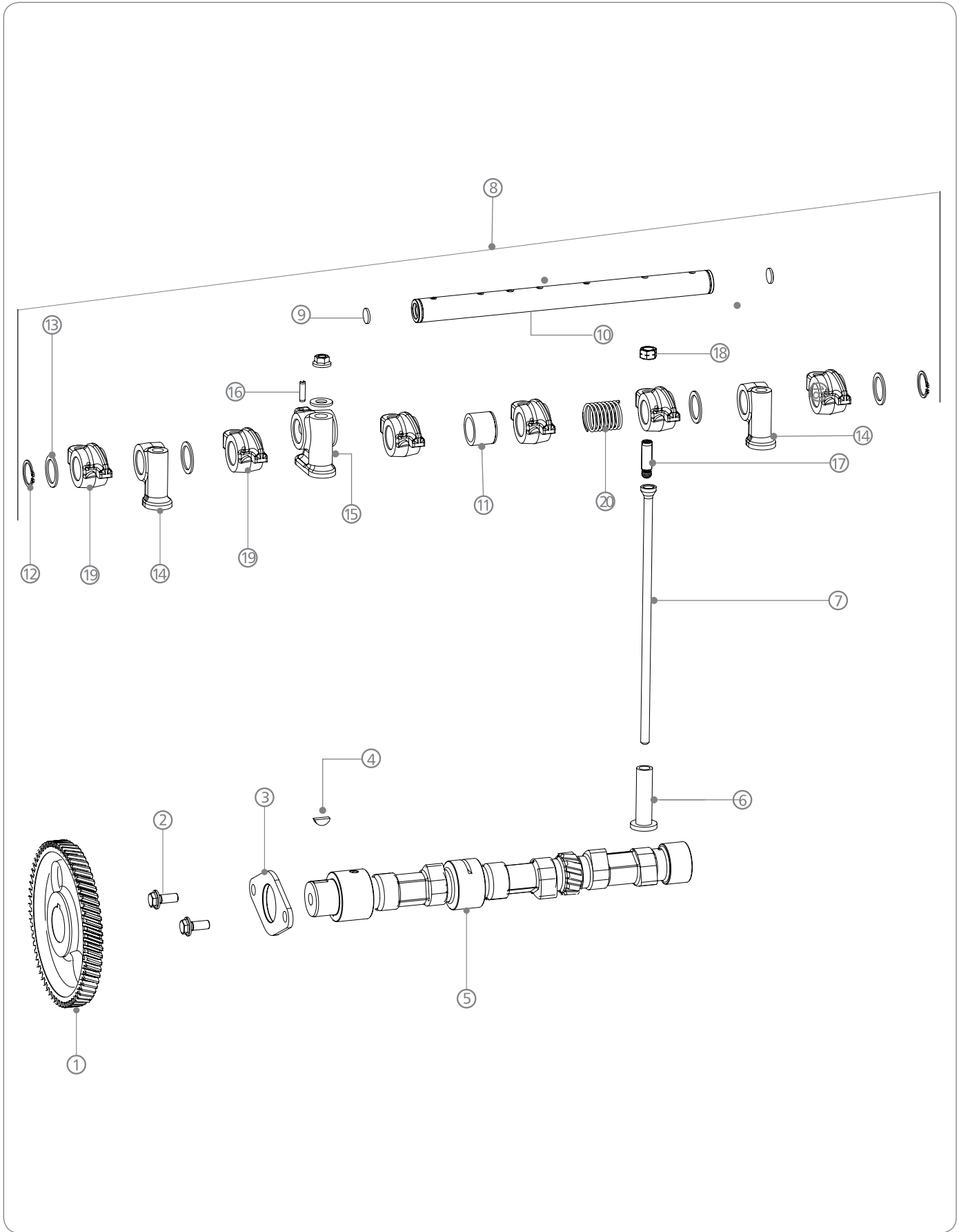


CYLINDER HEAD ASSY - 4DI

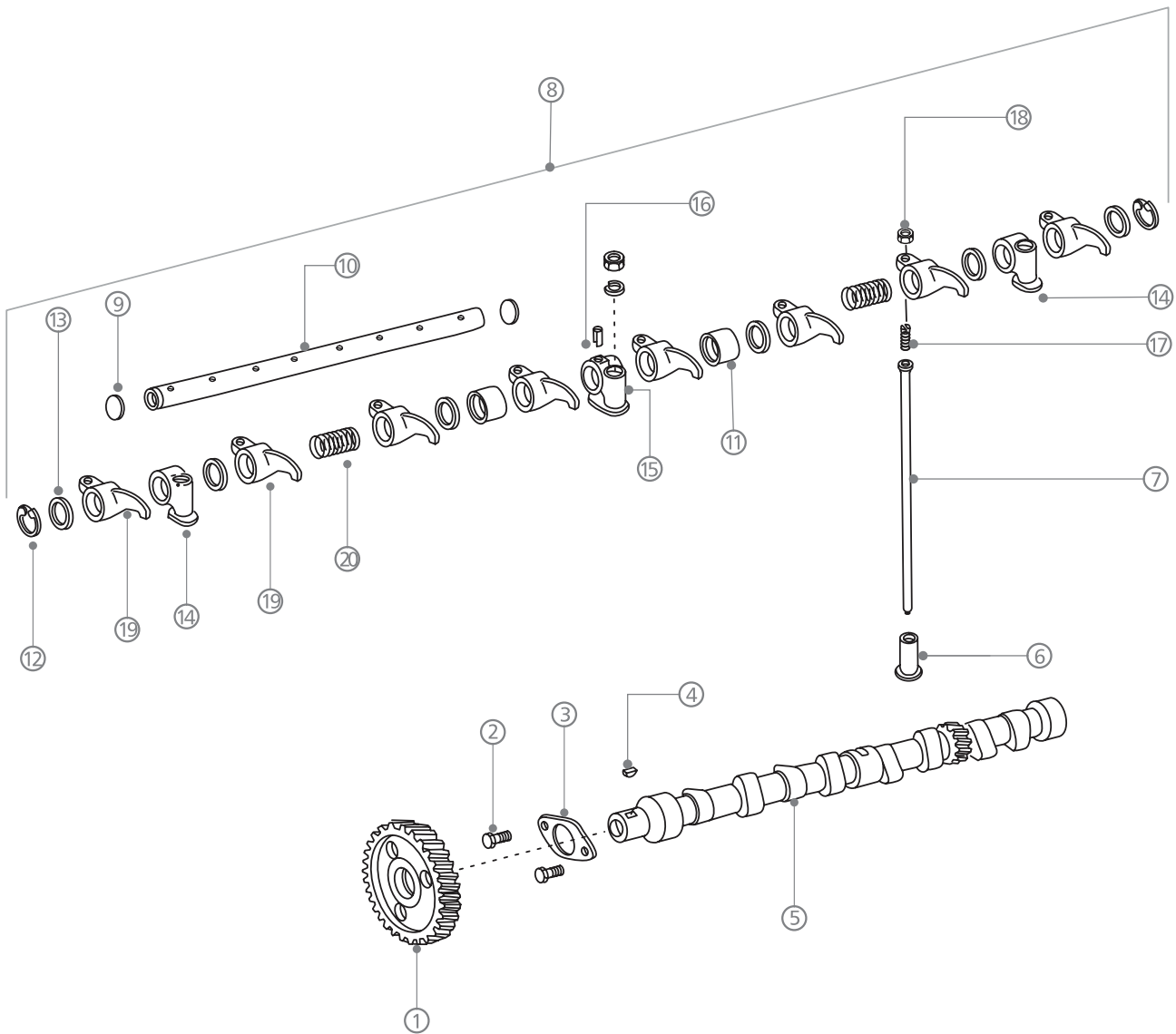
M&M Part Number	Ref.	Description of Part	Quantity	Remarks / Service Bulletin No.
			4DI	
006024076V91	1	CYLINDER HEAD 4DI (WITH VALVES)	1	
006007982D92	1	CYLINDER HEAD 4DI NEW COMPACT	1	
000172578	2	→ PLUG EXPANSION G 44.45MM	1	
005551140R1	3	→ VALVE GUIDE	8	
006000362R1	4	→ VALVE SEAT INLET	4	
006000363R1	5	→ VALVE SEAT EXHAUST	4	
006002569B1	6	→ STUD CLAMP NOZZLE HOLDER P TYPE INECTOR 39 HP	4	
006022865V1	7	→ STUD M10 X 1.5 VALVE HSG COVER COMPACT	2	
005557681R1	8	→ LOCK VALVE SPRING RETAINER	16	
005557631R1	9	→ CUP VALVE SPRING RETAINER UPPE	8	
005557570R1	10	→ VALVE SPRING - STIFFENED	8	
000022008RD	11	→ WASHER CUP VRSL	8	
005557659R1	12	→ VALVE INTAKE-CHROM.FLASH-MTGR	4	
006009543B1	13	→ VALVE EXHAUST	4	
005550349R91	14	SEAL VALVE	8	
006014999V1	15	BOLT CYLINDER HEAD (LONG)	1	
006014998V1	16	BOLT CYLINDER HEAD (SHORT)	15	
005551426R2	17	SENSOR TEMP. GAUG	1	
005551425R2	◆	SENSOR TEMP. GAUG	1	
005550766R3	18	WASHER COPPER TEMP. SENSOR	1	
006002471B1	19	CLAMP NOZZLE HOLDER P TYPE INJECTOR	4	
000022056RD	20	WASHER INJ NOZZLE HOLDER	4	
000022055RD	21	NUT HEX M10 X 1.5 X 8 X 8	4	
006015000V1	22	GASKET CYLINDER HEAD 4DI- DHRUV	1	
000022289RD	23	PLUG WATER JET	4	

* Parts Not Illustrated / ‡ Not Serviceable Separately / ◆ Alternate Part Number / A/R As Required

VALVE TRAIN - 3DI

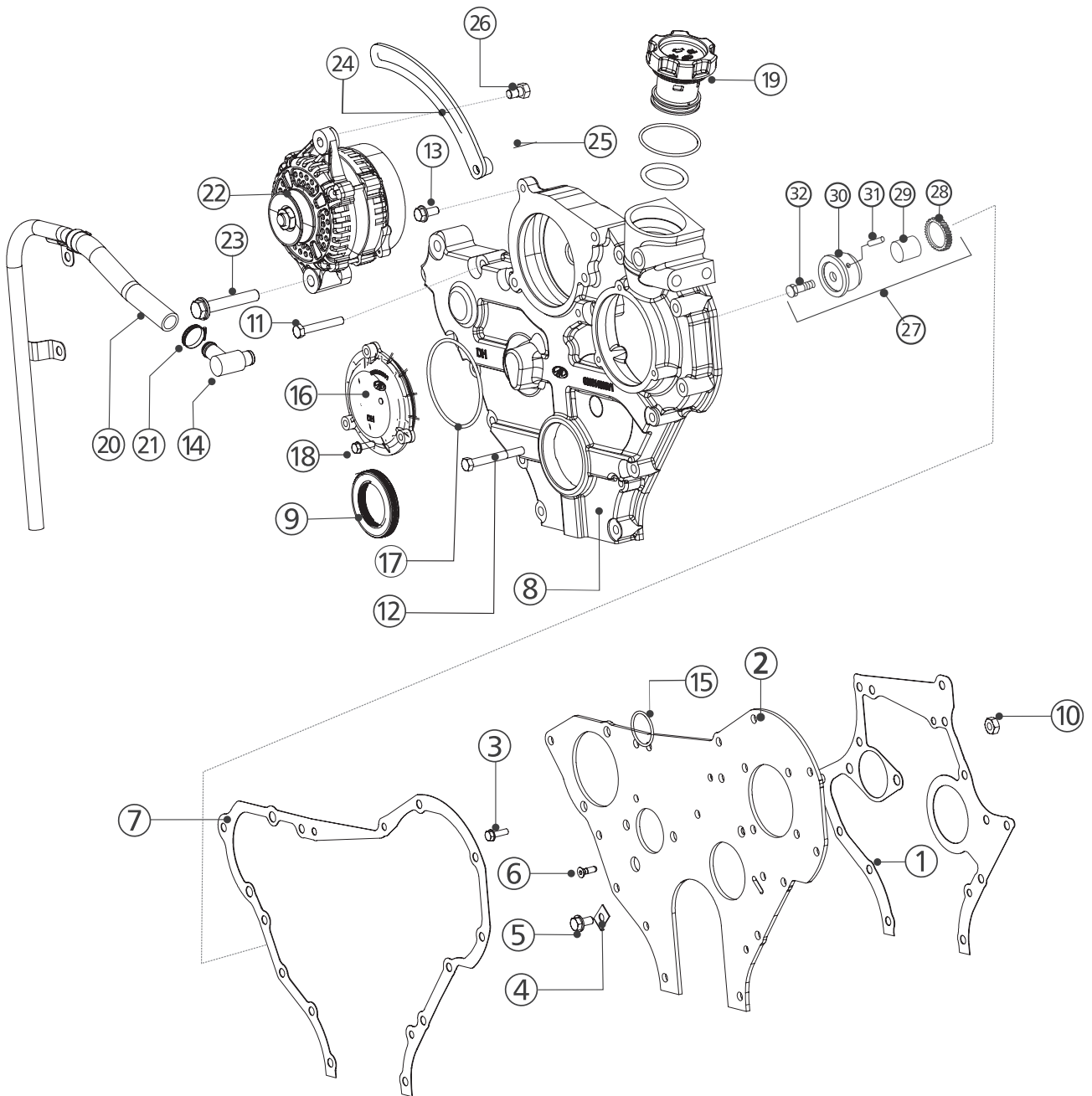


VALVE TRAIN - 4DI



M&M Part Number	Ref.	Description of Part	Quantity	Remarks / Service Bulletin No.
			4DI	
006008140D1	1	GEAR Camshaft	1	
000020307E05	2	BOLTHEXFLM8X1.25X20X8.8	2	
006015361H1	3	PLATE Camshaft Thrust-4DI	1	
000218217	4	KEY Woodruf Camshaft Gear	1	
006015362B1	5	CAMSHAFT	1	
000022019RD	6	TAPPET Valve	8	
000022020RD	7	ROD Push Valve	8	
006001225B91	8	ASSY. Rocker Arm & Valve Lever Shaft	1	
000172528	9	→ PLUG Welch	2	
005553574R2	10	→ SHAFT Valve Lever Rocker Arm - 4DI	1	
000022036RD	11	→ SPACER Valve Lever	2	
000022034RD	12	→ RING Retaining Valve Lever Shaft	2	
000022033RD	13	→ WASHER Valve Lever Shaft Spring	6	
000022011RD	14	→ BRACKET Valve Lever Shaft Front/Rear	2	
000022010RD	15	→ BRACKET Valve Lever Shaft Center	1	
000265923R1	16	→ PIN Roll Center Bracket	1	
003108732R1	17	→ SCREW Valve Lever Adjusting	8	
000133093R1	18	→ NUT Valve Lever Adjusting Screw	8	
006001226B1	19	→ ARM Rocker Cpte.	8	
000022035RD	20	→ SPRING Valve Lever Shaft	2	

CRANKCASE FRONT COVER

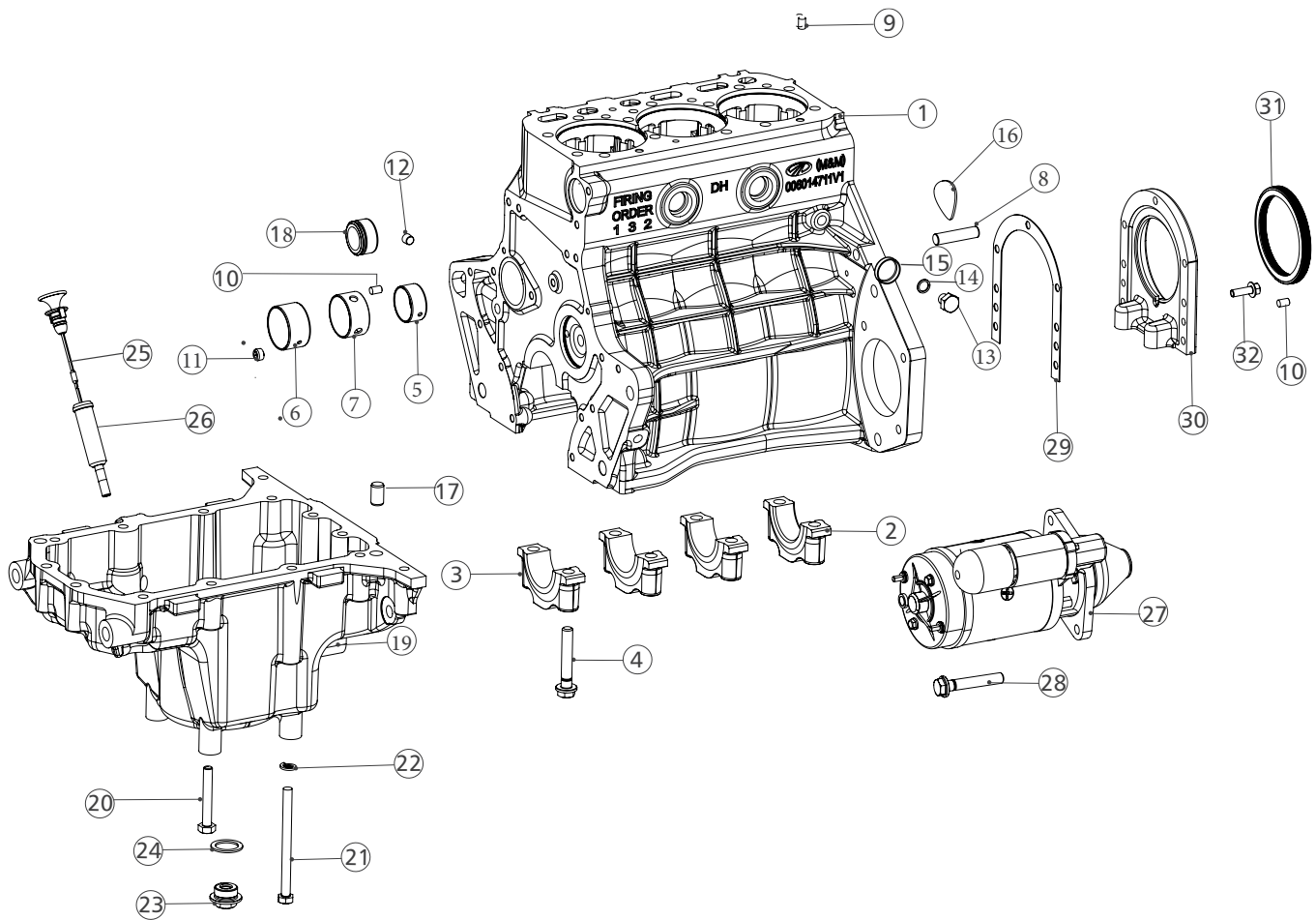


CRANKCASE FRONT COVER

M&M Part Number	Ref.	Description of Part	Quantity		Remarks / Service Bulletin No.
			3DI	4DI	
006017796V1	1	GASKET_FRONT_PLATE_BANCO_DHRUV	1	1	
006014038V1	2	PLATE CRANKCASE FRONT DHRUV	1	1	
000020311E05	3	BOLT HEXFL M6X1.00X16.5X8.8	1	1	
000703636R1	4	WASHER TAB	1	1	
000060387M01	5	BOLT HEXFL M8X1.25X16X8.8	1	1	
006022334V1	6	SCREW M6 X 1	1	1	
006017794V1	7	GASKET_FRONT_COVER_BANCO_DHRUV	1	1	
006014039V1	8	COVER CRANKCASE FRONT DHRUV	1	1	
006015011V1	9	OIL SEAL CRANKSHAFT FRONT SFN -DHRUV	1	1	
000020777E05	10	NUT HEX FL M8X1.25X8.7X8	4	4	
000020254E05	11	BOLT HEXFL M8X1.25X45.5X8.8	9	9	
000020792E05	12	BOLT HEXFL M8X1.25X70.7X8.8	6	6	
000020256E05	13	BOLT HEXFL M8X1.25X55X8.8	1	1	
006020781V1	14	ADAPTOR BLOWBY- DHRUV	1	1	
006016824V1	15	RADIAL O-RING-ID33.5*THK2.65	1	1	
006014907V1	16	COVER - FIP GEAR DHRUV	1	1	
006015004V1	17	O RING FIP GEAR COVER-DHRUV	1	1	
000020312E05	18	BOLT HEXFL M6X1.00X20.5X8.8	3	3	
006020792C91	19	OIL FILLER CAP ASSY	1	1	
006020780V91	20	PIPE BLOWBY - DHRUV	1	1	
005556668R91	21	HD4EP-201,CLIP PIPE RES.TO PUMP-WORM	1	1	
‡	22	ALTERNATOR	1	1	
006017516V1	23	BOLT MAIN BEARING CAP M12 X1.75 X 70	1	1	
006005696D1	24	BRACE ALTERNATOR-DHRUV	1	1	
000020308E05	25	BOLT HEXFL M8X1.25X16X8.8	1	1	
000020313E05	26	BOLT HEXFL M10X1.5X25.5X8.8	1	1	
006008575D91	27	IDLER GEAR ASSY. NVH COMPACT	1	1	
‡	28	→ IDLER GEAR	1	1	
‡	29	→ BUSH	1	1	
000703853R4	30	→ IDLER GEAR SHAFT	1	1	
001232850R1	31	→ PIN ROLL 4.9MMX15.9MM	1	1	
006018321V1	32	→ IDLER GEAR BOLT M12X1.25X50.5-10.9 GRADE	1	1	

* Parts Not Illustrated / ‡ Not Serviceable Separately / ◆ Alternate Part Number / A/R As Required

CRANCKASE WITH OIL PAN - 3DI

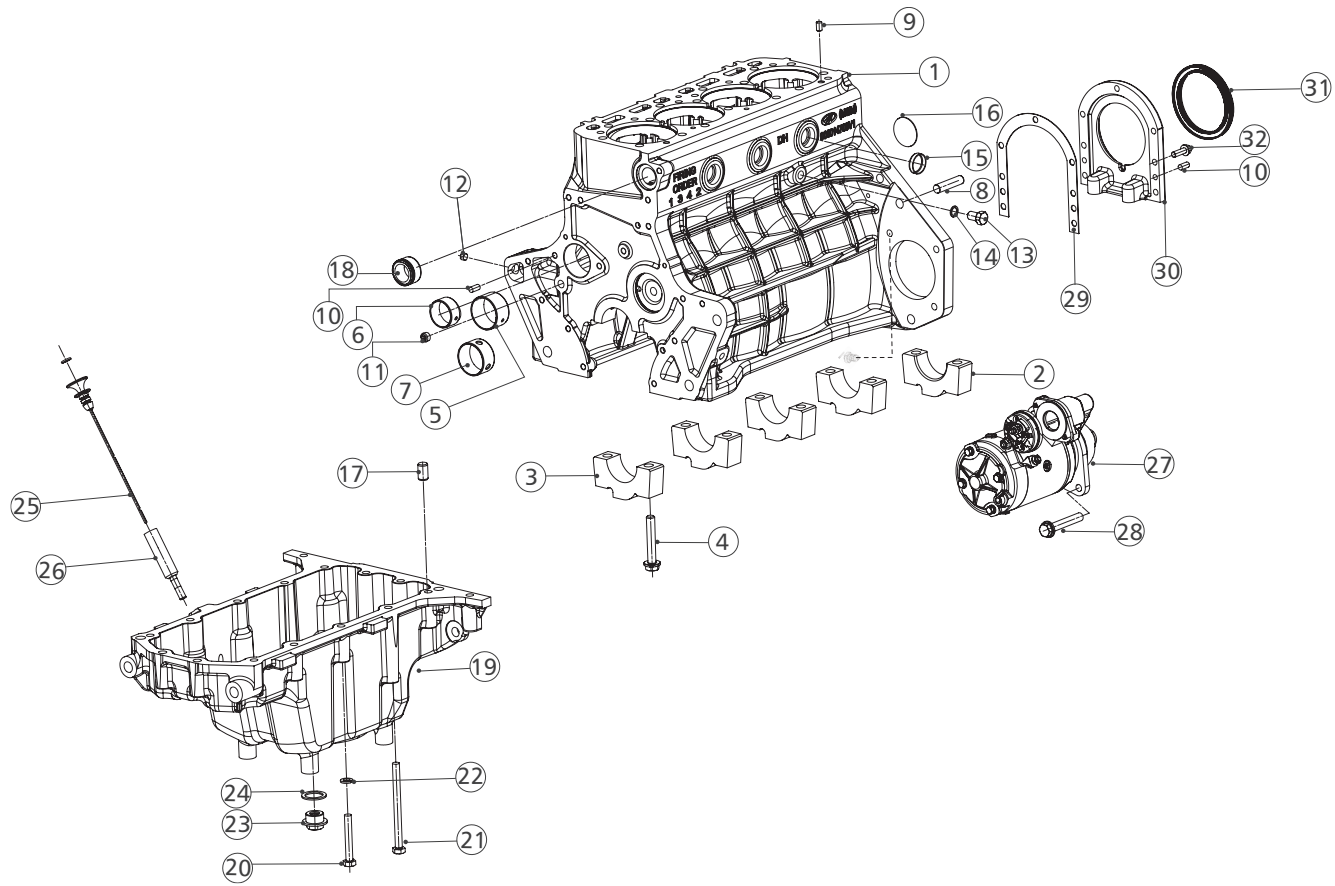


CRANKCASE WITH OIL PAN -3DI

M&M Part Number	Ref.	Description of Part	Quantity	Remarks / Service Bulletin No.
			3DI	
006014712V91	1	CRANKCASE ASSLY FINISH 3DI DHRUV	1	
‡	2	CAP REAR CRANSHAFT BEARING	1	
‡	3	CAP FRONT CRANKSHAFT BEARING	3	
006017516V1	4	BOLT MAIN BEARING CAP	8	
000022018RD	5	BUSH CAMSHAFT CENTER	1	
000022174RD	6	BUSH CAMSHAFT FRONT	1	
001231247R1	7	BUSH CAMSHAFT REAR	1	
005551963R1	8	PIN DOWEL DIA 1/2 * 2.118 LG	2	
005550183R1	9	PIN DOWEL 8.045X12.000	2	
006510143C1	10	DOWEL PIN Ø8X25	2	
000020280E05	10	PIN DOWEL 8.024X16.000	2	
006017519V1	11	PRECOATED PLUG M13 X 1.5 X 8	2	
000020786E05	12	PLUG M10 X 1.0 HEX SOCKET PIPE	1	
006022117Y1	13	HEX HEAD PLUG M12 X 1.5 X 18	1	
000172578	15	PLUG EXPANSION G 44.45MM	1	
006017521V1	16	WELCH PLUG DIA 30.0	2	
006017522V1	17	PIN DOWEL 14.32 X 20	2	
006016823V1	18	SLEEVE - WATER PUMP DHRUV	1	
006014899V1	19	OIL SUMP 3DI DHRUV	1	
006503852D1	20	BOLT HEX M10X1.5X70X8.8	12	
006000554H1	21	BOLT HEX M10X1.25X130X8.8	4	
000022273RD	22	WASHER SPRING LOCK M10	14	
006000110F1	23	PLUG HEX HEAD SCREW-Rear Earth Magnet	1	
006022336V1	24	WASHER - OIL DRAIN PLUG	1	
006018119V91	25	DIPSTICK ASSY 3DI - DHRUV	1	
006020761V1	26	DIPSTICK ADAPTOR	1	
‡	27	STARTER MOTOR	1	
000020313E05	28	BOLT HEX M10X1.5X25X8.8	2	
000708907R1	29	GASKET RETAINER CR OIL SEAL	1	
006015024V1	30	RETAINER CRANK REAR OIL SEAL - DHRUV	1	
006015012V1	31	OIL SEAL CRANKSHAFT REAR SFN - DHRUV	1	
000020309E05	32	BOLT HEXFL M8X1.25X25.5X8.8	7	
006028856V1	*	LOCTITE 577	5ml	

* Parts Not Illustrated / ‡ Not Serviceable Separately / ◆ Alternate Part Number / A/R As Required

CRANCKASE WITH OIL PAN - 4DI

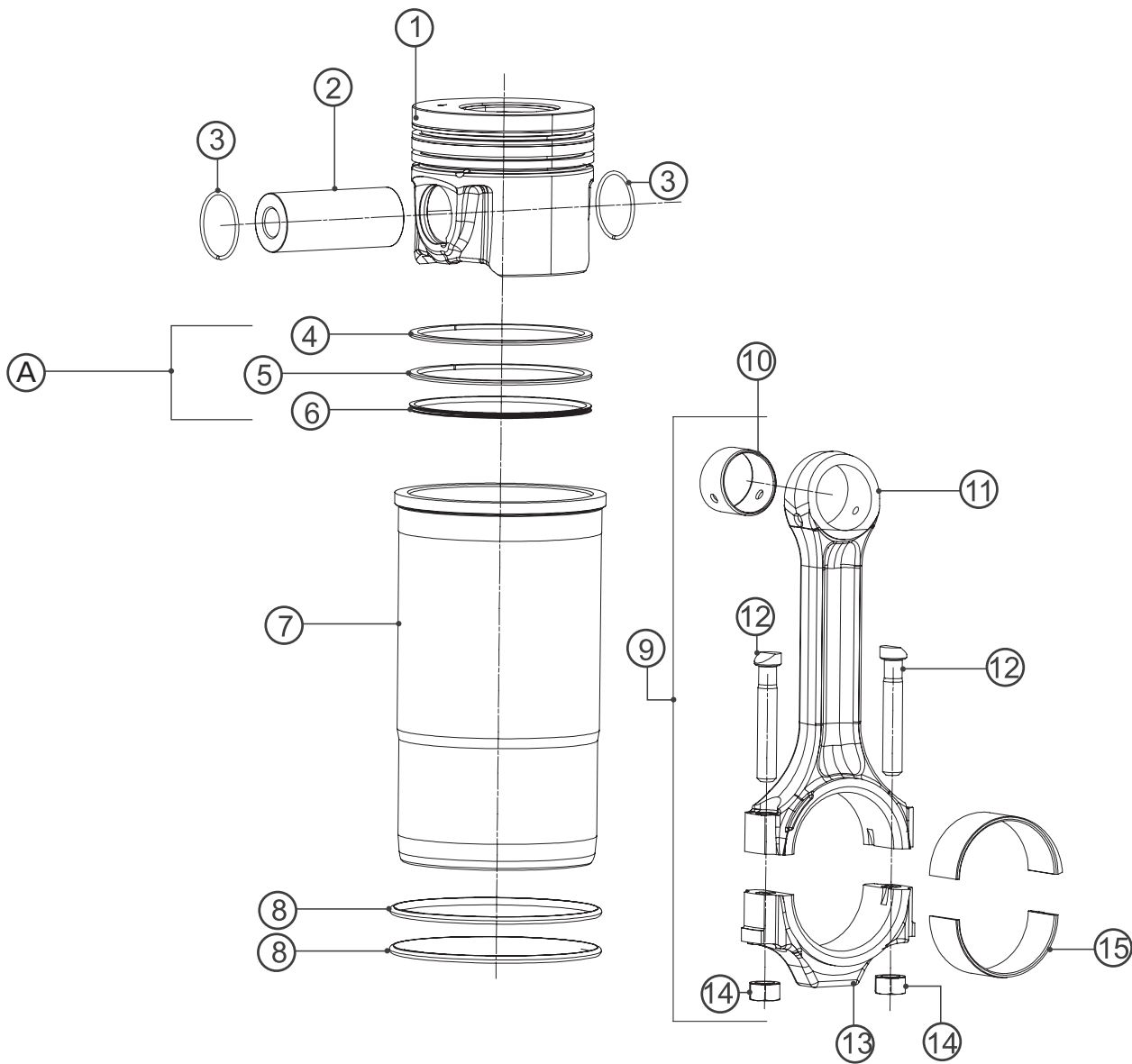


CRANKCASE WITH OIL PAN - 4DI

M&M Part Number	Ref.	Description of Part	Quantity	Remarks / Service Bulletin No.
			4DI	
006014710V91	1	CRANKCASE ASSLY FINISH 4DI DHRUV	1	
‡	2	CAP REAR CRANSHAFT BEARING	1	
‡	3	CAP FRONT CRANKSHAFT BEARING	4	
006017516V1	4	BOLT MAIN BEARING CAP	10	
000022018RD	5	BUSH CAMSHAFT CENTER	1	
000022174RD	6	BUSH CAMSHAFT FRONT	1	
001231247R1	7	BUSH CAMSHAFT REAR	1	
005551963R1	8	PIN DOWEL DIA 1/2 * 2.118 LG	2	
005550183R1	9	PIN DOWEL 8.045X12.000	2	
006510143C1	10	DOWEL PIN Ø8X25	2	
000020280E05	10	PIN DOWEL 8.024X16.000	2	
006017519V1	11	PRECOATED PLUG M13 X 1.5 X 8	2	
000020786E05	12	PLUG M10 X 1.0 HEX SOCKET PIPE	3	
006022117Y1	13	HEX HEAD PLUG M12 X 1.5 X 18	1	
000172578	15	PLUG EXPANSION G 44.45MM	1	
006017521V1	16	WELCH PLUG DIA 30.0	3	
006017522V1	17	PIN DOWEL 14.32 X 20	2	
006016823V1	18	SLEEVE - WATER PUMP DHRUV	1	
006014897V1	19	OIL SUMP 4DI DHRUV	1	
006503852D1	20	BOLT HEX M10X1.5X70X8.8	12	
006000554H1	21	BOLT HEX M10X1.25X130X8.8	4	
000022273RD	22	WASHER SPRING LOCK M10	16	
006000110F1	23	PLUG HEX HEAD SCREW-Rear Earth Magnet	1	
006022336V1	24	WASHER - OIL DRAIN PLUG	1	
006018120V91	25	DIPSTICK ASSY 4DI NA- DHRUV	1	
006020761V1	26	DIPSTICK ADAPTOR	1	
‡	27	STARTER MOTOR	1	
000020313E05	28	BOLT HEX M10X1.5X25X8.8	2	
000708907R1	29	GASKET RETAINER CR OIL SEAL	1	
006015024V1	30	RETAINER CRANK REAR OIL SEAL - DHRUV	1	
006015012V1	31	OIL SEAL CRANKSHAFT REAR SFN - DHRUV	1	
000020309E05	32	BOLT HEXFL M8X1.25X25.5X8.8	7	
006028856V1	*	LOCTITE 577	5ml	

* Parts Not Illustrated / ‡ Not Serviceable Separately / ◆ Alternate Part Number / A/R As Required

SLEEVE PISTON & CONNECTING ROD ASSEMBLY

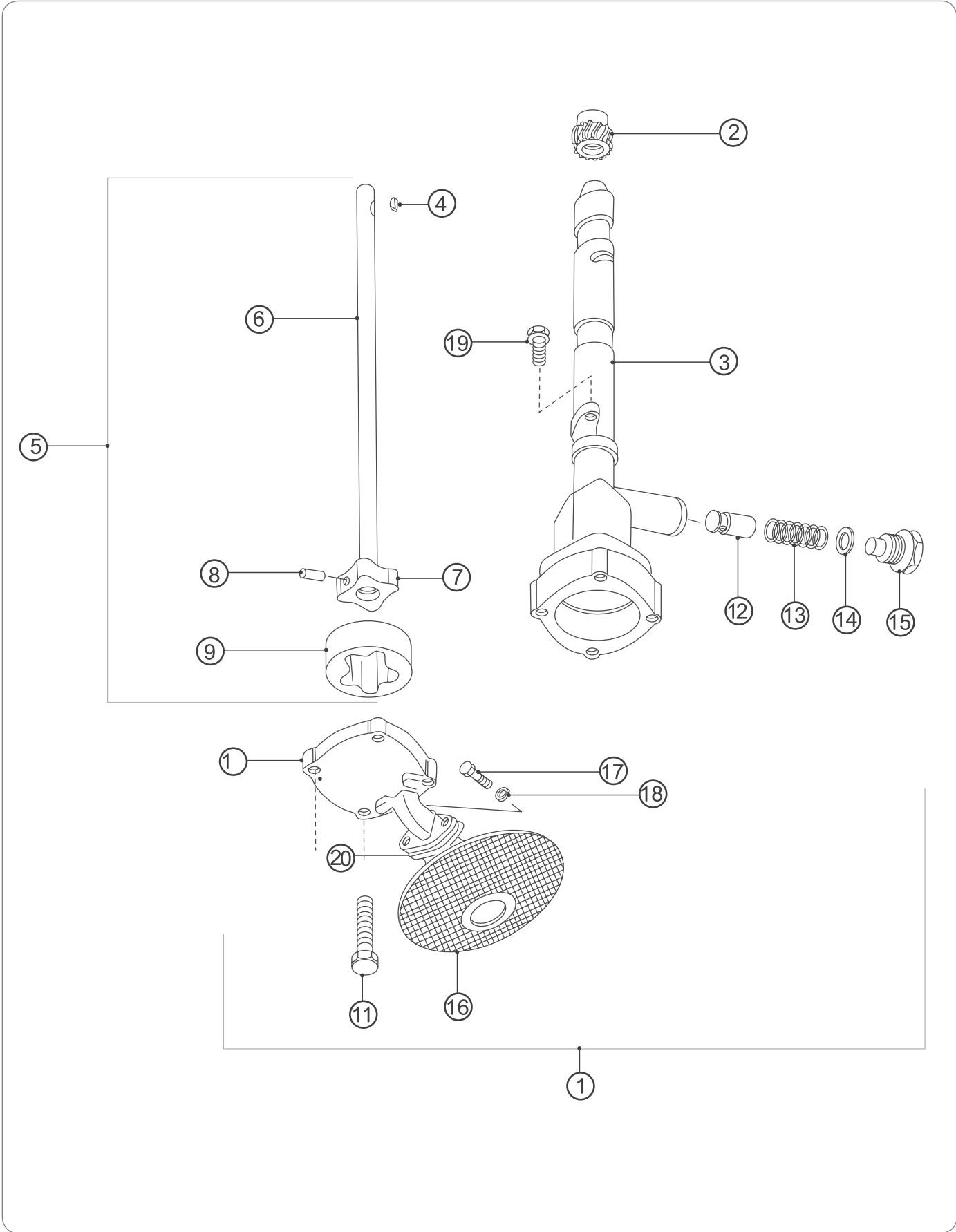


SLEEVE PISTON & CONNECTING ROD ASSEMBLY

M&M Part Number	Ref.	Description of Part	Quantity		Remarks / Service Bulletin No.
			3DI	4DI	
006015926V1	1	PISTON NA DHRUV	3	4	
006025427V1	1	PISTON NA DHRUV ELS	3	4	
000020418E05	2	PIN PISTON	3	4	
000020419E05	3	RETAINER PISTON PIN	6	8	
006024062V91	A	SET Piston Ring	1	1	
‡	4	▶ FMGIL PISTON TOP RING TIER IV <50HP 35 SERIES	3	4	
‡	5	▶ FMGIL PISTON SECOND RING TIER IV <50HP 35 SERIES	3	4	
‡	6	▶ FMGIL PISTON OIL CONTROL RING TIER IV <50HP 35 SER	3	4	
006014927G1	7	SLEEVE (LINER) DHRUV	3	4	
006020783V1	8	'O' RING SLEEVE CRANKCASE HNBR	6	8	
006014909V91	9	CONNECTING ROD ASSEMBLY DHRUV	3	4	
006018150V1	10	▶ BUSH CONNECTING ROD KOEL DHRUV	3	4	
‡	11	▶ CONECTING ROD-LS DHRUV	3	4	
005557316R1	12	▶ BOLT FOR CONNECTING ROD LONG STROKE	3	4	
‡	13	▶ CONNECTING ROD CAP	3	4	
005557317R1	14	▶ NUT FOR CONNECTING ROD LONG STROKE	3	4	
006016793V1	15	▶ BEARING CONNECTING ROD KOEL - DHRUV	6	8	
006024635V91	9	CONNECTING ROD ASSEMBLY-ELS DHRUV	3	4	
006025293V1	10	▶ BUSH CONNECTING ROD KOEL DHRUV	3	4	
‡	11	▶ CONECTING ROD-LS DHRUV	3	4	
005557316R1	12	▶ BOLT FOR CONNECTING ROD LONG STROKE	3	4	
‡	13	▶ CONNECTING ROD CAP	3	4	
006003102R1	14	▶ NUT FOR CONNECTING ROD LONG STROKE	3	4	
006024365V1	15	▶ BEARING CONNECTING ROD KOEL - DHRUV	6	8	

* Parts Not Illustrated / ‡ Not Serviceable Separately / ♦ Alternate Part Number / A/R As Required

LUBRICATION SYSTEM

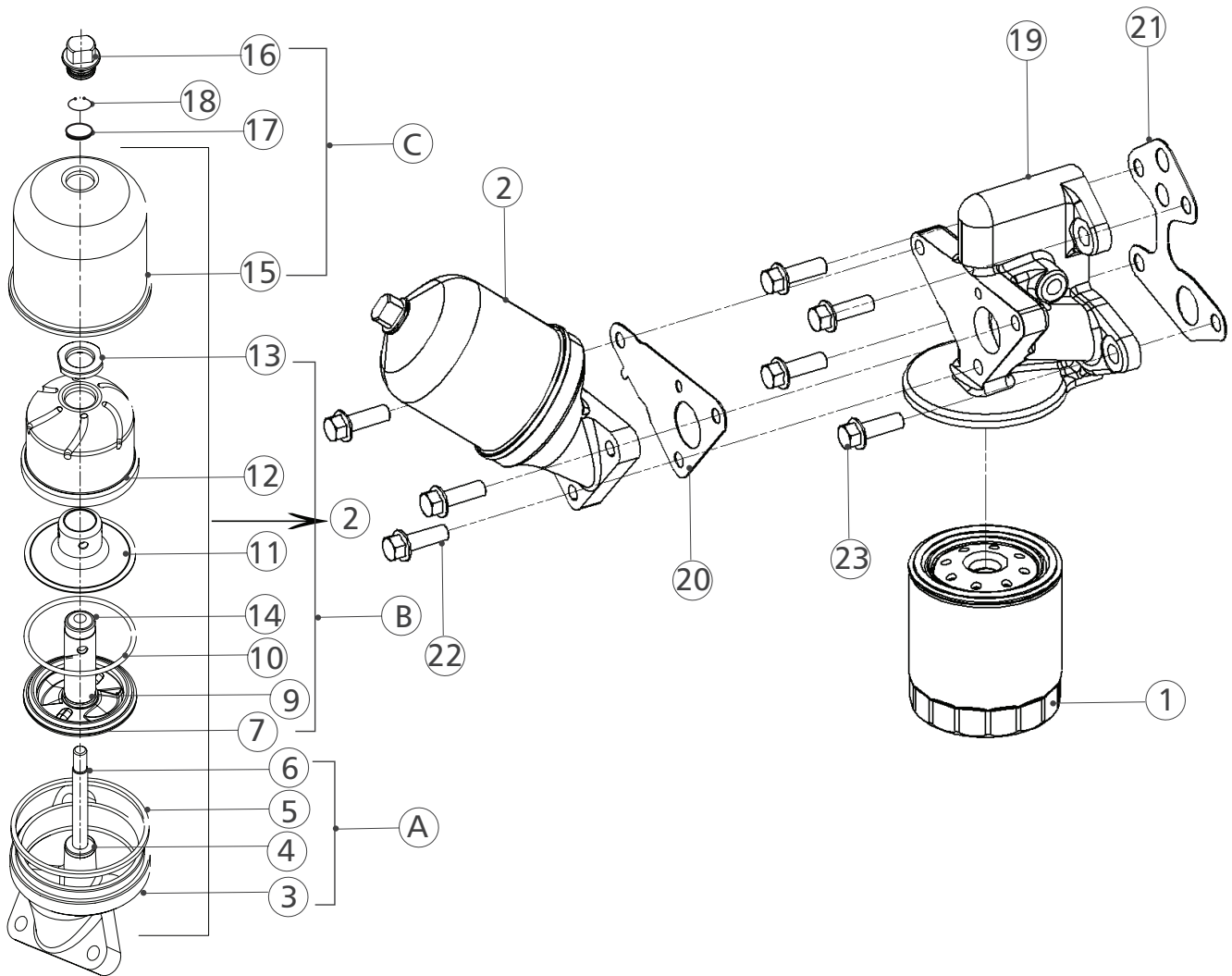


LUBRICATION SYSTEM

M&M Part Number	Ref.	Description of Part	Quantity		Remarks / Service Bulletin No.
			3DI	4DI	
006015018V91	1	OIL PUMP ASSLY - DHRUV	1	1	
006025336V91	1	OIL PUMP ASSLY - DHRUV ELS	1	1	
000704107R3	2	→ DRIVE PINION	1	1	
‡	3	→ OIL PUMP BODY	1	1	
000103905	4	→ WOODRUFF KEY	1	1	
‡	5	→ SHAFT & ROTOR ASSY	1	1	
‡	6	→ PUMP SHAFT	1	1	
‡	7	→ INNER ROTOR	1	1	
‡	8	→ GROOVE PIN	1	1	
‡	9	→ OUTER ROTOR	1	1	
001082043R1	10	→ OIL PUMP COVER	1	1	
006023311V1	11	→ BOLT COVER TO BODY	4	4	
001121039R1	12	→ PLUNGER	1	1	
001082037R1	13	→ SPRING RELIEF VALVE	1	1	
006023309V1	14	→ GASKET RETAINER SPRING	1	1	
‡	15	→ RETAINER SPRING	1	1	
000015916RD	16	→ SCREEN ASSY OIL PUMP	1	1	
000179791	17	→ BOLT HEX G6.35 X 1.27 X 12.7 X 5	2	2	
001082010R2	18	→ WASHER SPRING	2	2	
000020314E05	19	→ BOLT HEX M10X1.5X32X8.8	1	1	
006025509V1	20	→ GASKET OIL PUMP TO STRAINER- DHRUV ELS	1	1	

* Parts Not Illustrated / ‡ Not Serviceable Separately / ◆ Alternate Part Number / A/R As Required

LUBRICATION SYSTEM (CENTRIFUGAL OIL FILTER)

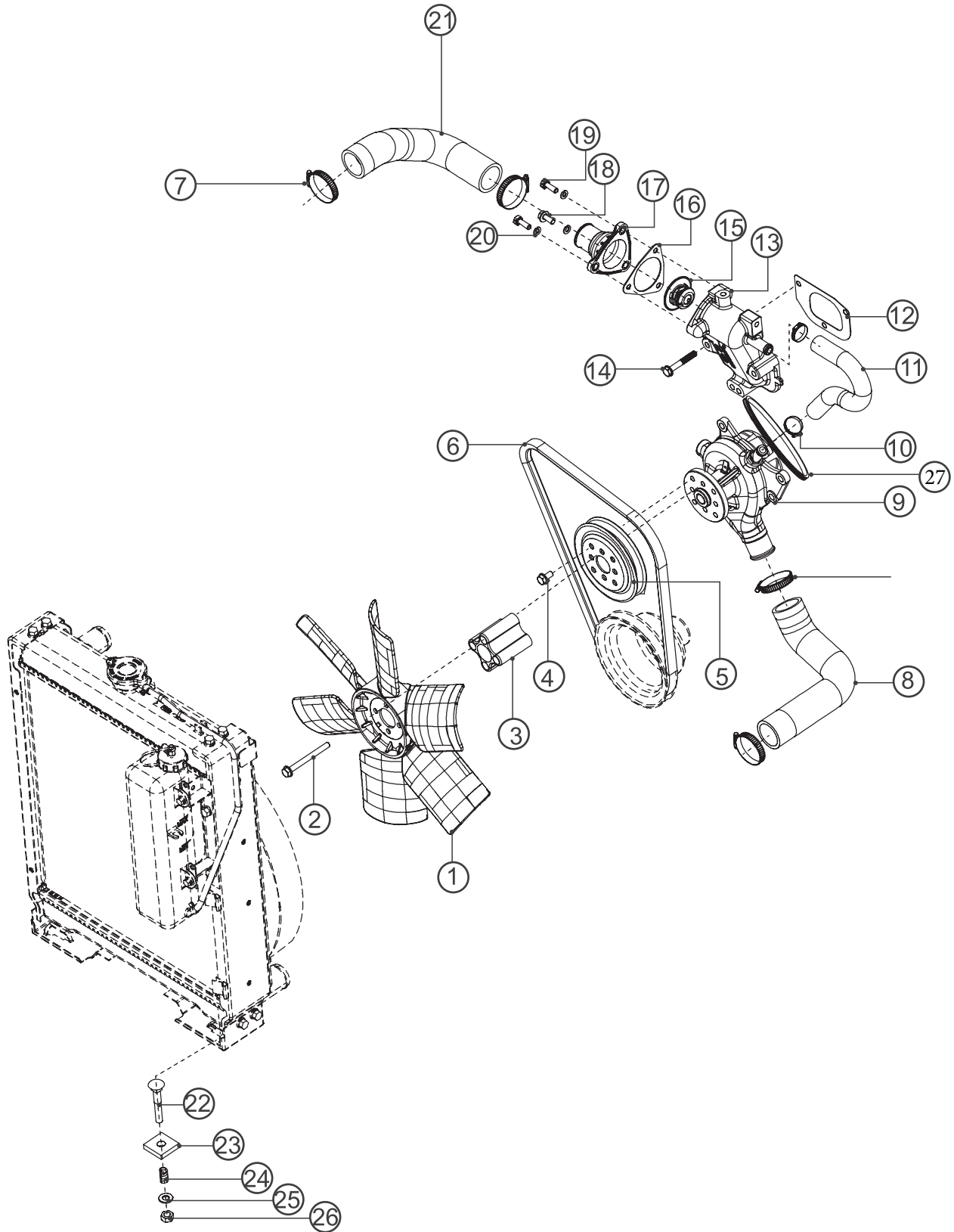


LUBRICATION SYSTEM (CENTRIFUGAL OIL FILTER)

M&M Part Number	Ref.	Description of Part	Quantity		Remarks / Service Bulletin No.
			3DI	4DI	
006016642V91	1	OIL FILTER ASSLY - DHRUV	1	1	
006015028V91	2	CENTRIFUGAL OIL FILTER - DHRUV	1	1	
006017885V1	A	→ HOUSING ASSEMBLY	1	1	
‡	3	→ HOUSING	1	1	
006017888V1	4	→ RUBBER RING HOUSING	1	1	
‡	5	→ THRUST WASHER	1	1	
‡	6	→ SHAFT	1	1	
006017887V1	B	→ ROTOR ASSEMBLY	1	1	
‡	7	→ ROTOR BASE	1	1	
006017895V1	8	→ BUSH LOWER	1	1	
‡	9	→ SLEEVE	1	1	
006017889V1	10	→ RUBBER RING ROTOR	1	1	
006017893V1	11	→ DEFLECTOR	1	1	
‡	12	→ ROTOR COVER	1	1	
006017892V1	13	→ ROTOR NUT	1	1	
006017896V1	14	→ BUSH UPPER	1	1	
006017898V1	C	→ COVER ASSEMBLY	1	1	
‡	15	→ COVER	1	1	
006017894V1	16	→ COVER NUT	1	1	
006017891V1	17	→ RUBBER RING NUT	1	1	
‡	18	→ CIRCLIP	1	1	
006017999V91	19	CENTRIFUGAL FILTER HEADER ASSY - DHRUV	1	1	
006018720V1	20	GASKET CENTRIFUGAL FILTER HEAD_DHRUV	1	1	
006014898V1	21	GASKET OIL FILTER - DHRUV	1	1	
000013379P04	22	M8 X 30 LONG ALLEN BOLT	3	3	
000020309E05	23	BOLT HEXFL M8X1.25X25.5X8.8	4	4	

* Parts Not Illustrated / ‡ Not Serviceable Separately / ◆ Alternate Part Number / A/R As Required

COOLING SYSTEM

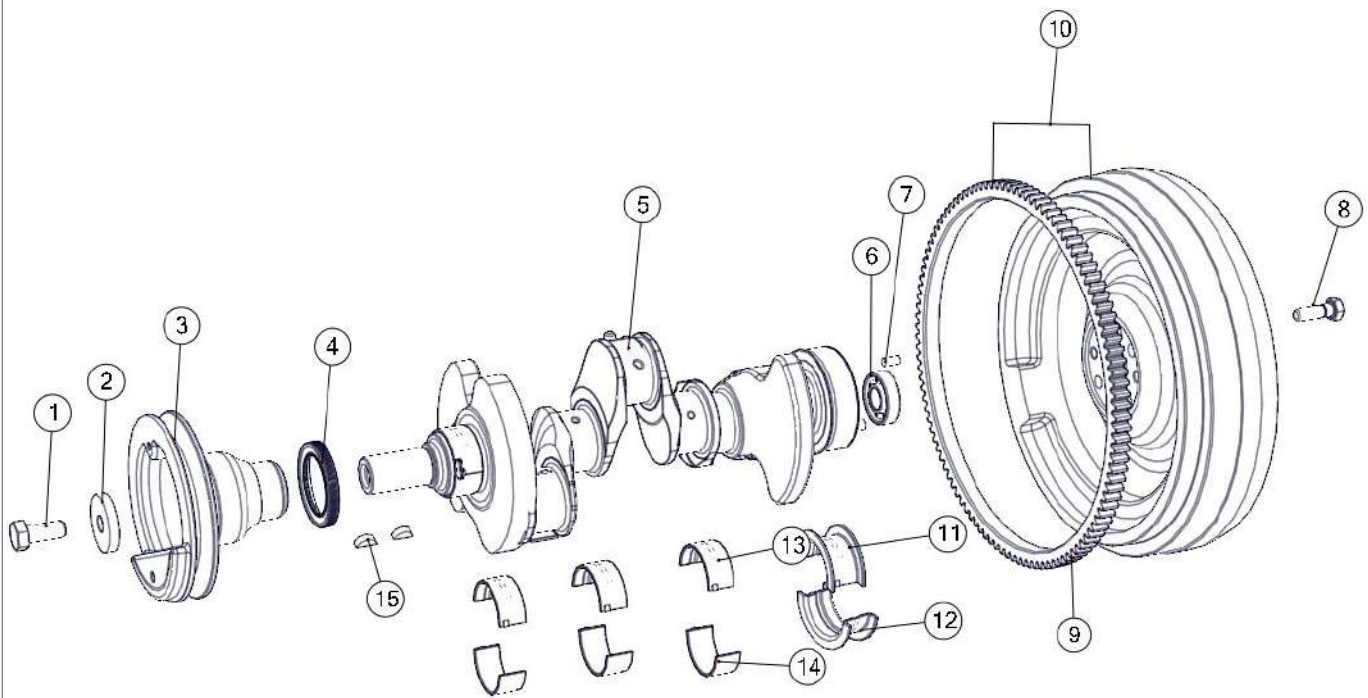


COOLING SYSTEM

M&M Part Number	Ref.	Description of Part	Quantity		Remarks / Service Bulletin No.
			3DI	4DI	
006018389B1	1	(6 BLADE PLASTIC) FAN 400	1	1	
000020259E05	2	BOLT HEXFL M8X1.25X85.7X8.8	4	4	
006014976V1	3	SPACER FAN - DHRUV	1	1	
000020308E05	4	BOLT HEXFL M8X1.25X16X8.8	4	4	
006018845V1	5	PULLEY WATER PUMP 3DI 39 HP DHRUV	1	1	
006025758V1	5	PULLEY WATER PUMP 31 HP	1		
006007974D1	6	BELT FOR COMPACT 4 CYL	1	1	
000020325E05	6	COGGED V BELT-HRL 1135 31 HP	1		
006004797F1	7	CLIP FOR RADIATOR(GREEN PASSIV	4	4	
006014974V1	8	HOSE RADIATOR TO WATER PUMP - DHRUV	1	-	
006017984V1	8	HOSE RADIATOR TO WATER PUMP - DHRUV	-	1	
006014971V91	9	WATER PUMP ASSEMBLY - DHRUV	1	1	
006010512D1	10	CLIP PIPE RES.TO PUMP-WORM TYP	2	2	
006014986V1	11	HOSE THERMOSTAT BY PASS - DHRUV	1	1	
000015490RD	12	GASKET 3 DI THERMOSTAT HSG AVL	1	-	
001233545R1	12	GASKET 4 DI THERMOSTAT HSG AVL	-	1	
006014984V1	13	HOUSING THERMOSTAT - DHRUV	1	1	
000020256E05	14	BOLT HEXFL M8X1.25X55.5X8.8	3	3	
005556450R92	15	THERMOSTAT ST STEEL 82C	1	1	
003065125R2	16	GASKET THERMOSTAT	1	1	
003065126R2	17	COVER THERMOSTAT HOUSING - DHRUV	1	1	
000022271RD	18	BOLT M8 X 1.25 X 22	1	1	
005557810R1	19	BOLT HEX M8X1.25X22X8.8	2	2	
001082011R2	20	WASHER 5/16" SPRING LOCK	3	3	
006014973V1	21	HOSE THERMOSTAT TO RADIATOR - DHRUV	1	1	
001231780R2	22	BOLT	2	2	
003041407R2	23	PAD RADIATOR	2	2	
000067205D	24	SPRING ROD HOLD DOWN	2	2	
000020869R1	25	WASHERPLAIN RADIATOR MOUNTING	2	2	
001081682R1	26	NUT NYLOCK	2	2	
000020379E05	27	O RING 82.22X2.62 NBR	1	1	

* Parts Not Illustrated / ‡ Not Serviceable Separately / ◆ Alternate Part Number / A/R As Required

CRANKSHAFT ASSEMBLY - 3DI

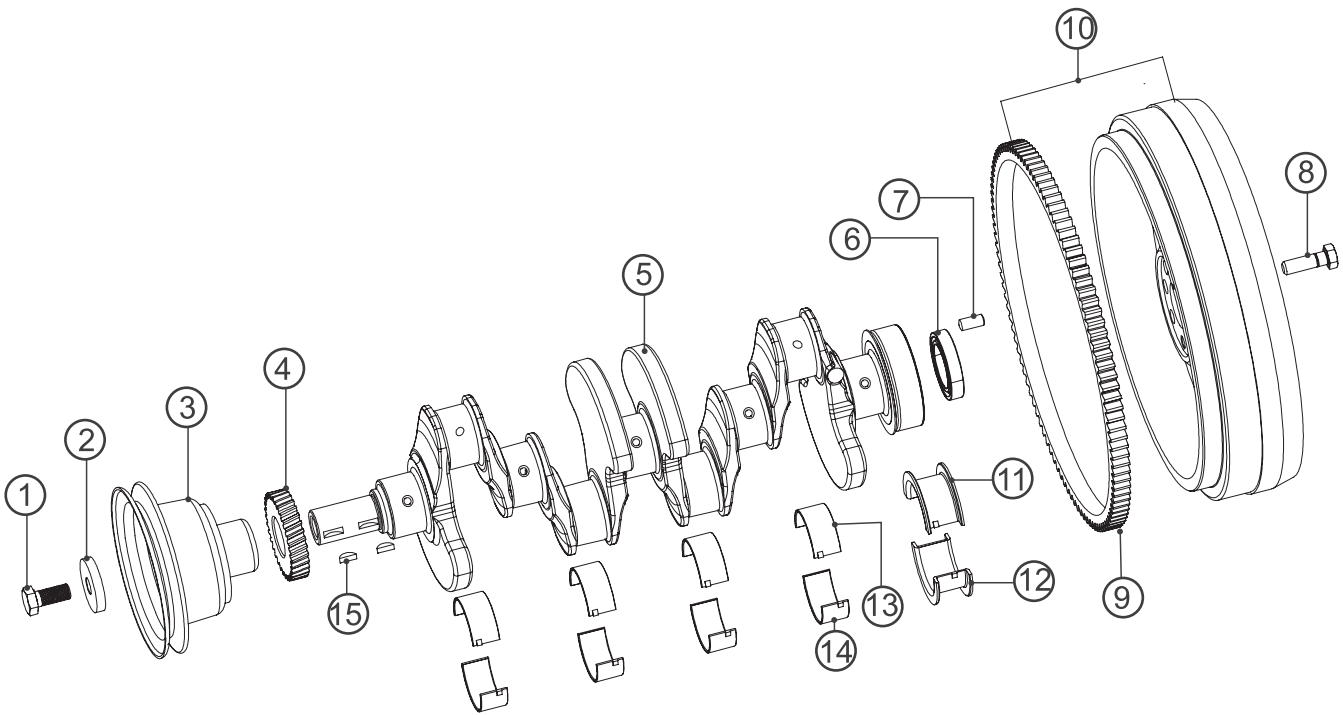


CRANKSHAFT ASSEMBLY - 3DI

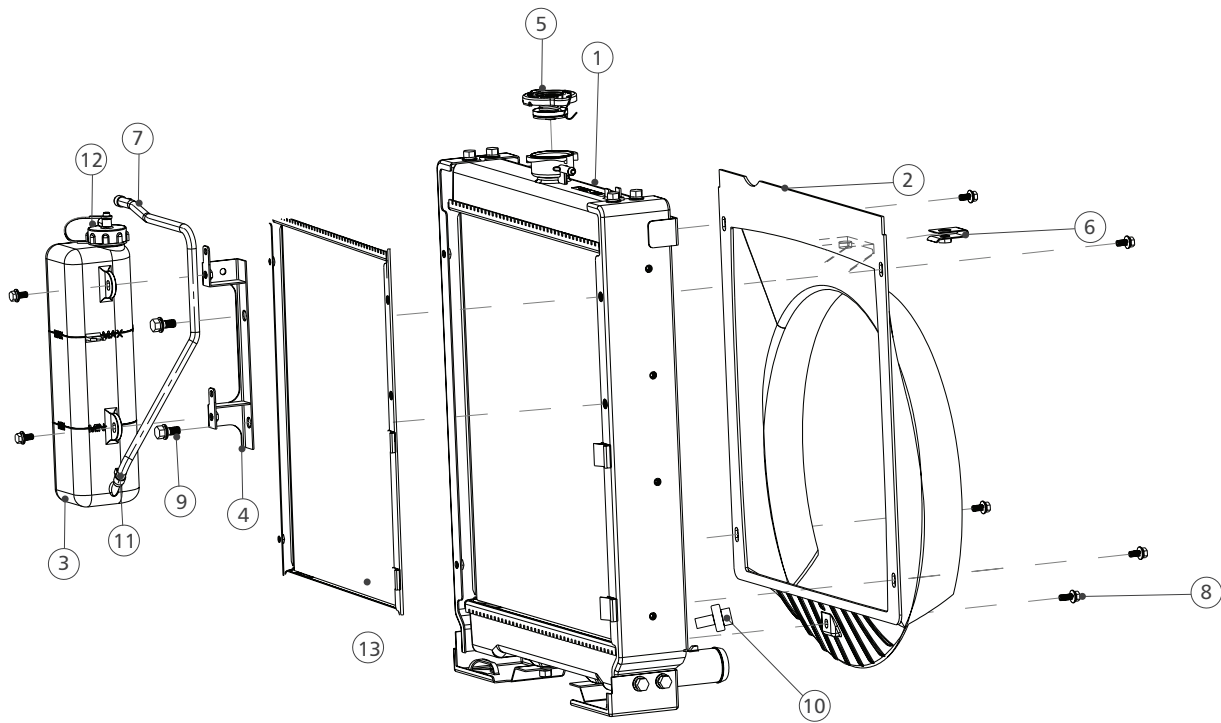
M&M Part Number	Ref.	Description of Part	Quantity	Remarks / Service Bulletin No.
			3DI	
006000260B1	1	BOLT HEX M14 X 1.5 X 32 X 10.9	1	
006000259B1	2	SPACER CRANKSHAFT PULLEY	1	
006014977V1	3	PULLEY CRANKSHAFT 3DI DHRUV	1	
006024487V1	3	PULLEY CRANKSHAFT 3DI DHRUV ELS	1	
006008141D1	4	COMPACT GEAR CRANKSHAFT	1	
006014915V1	5	CRANKSHAFT 3DI - DHRUV	1	
006024364V1	5	CRANKSHAFT 3DI - DHRUV ELS	1	
0000000B7	6	BEARING CLUTCH PILOT	1	
000020269E05	7	PIN DOWEL	2	
006017528V1	8	BOLT HEX M12 X 1.5 X 40 X 10.9	6	
000704436R1	9	RING GEAR FLYWHEEL	-	
006014757V91	10	FLYWHEEL ASSLY - NON CRPTO 3DI TC DHRUV	1	
006024498V91	10	FLYWHEEL ASSLY - NON CRPTO 3DI TC DHRUV ELS	1	
006014925V1	11	BEARING CR'SFT REAR TOP KOL- DHRUV	1	
006014926V1	12	BEARING CR'SFT REAR BOT KOL- DHRUV	1	
006014923V1	13	BEARING CR'SFT FRONT TOP KOL- DHRUV	3	
006014924V1	14	BEARING CR'SFT FRONT BOT KOL- DHRUV	3	
000218211	15	KEY WOODRUFF 1/4 X 3/4	2	

* Parts Not Illustrated / ‡ Not Serviceable Separately / ◆ Alternate Part Number / A/R As Required

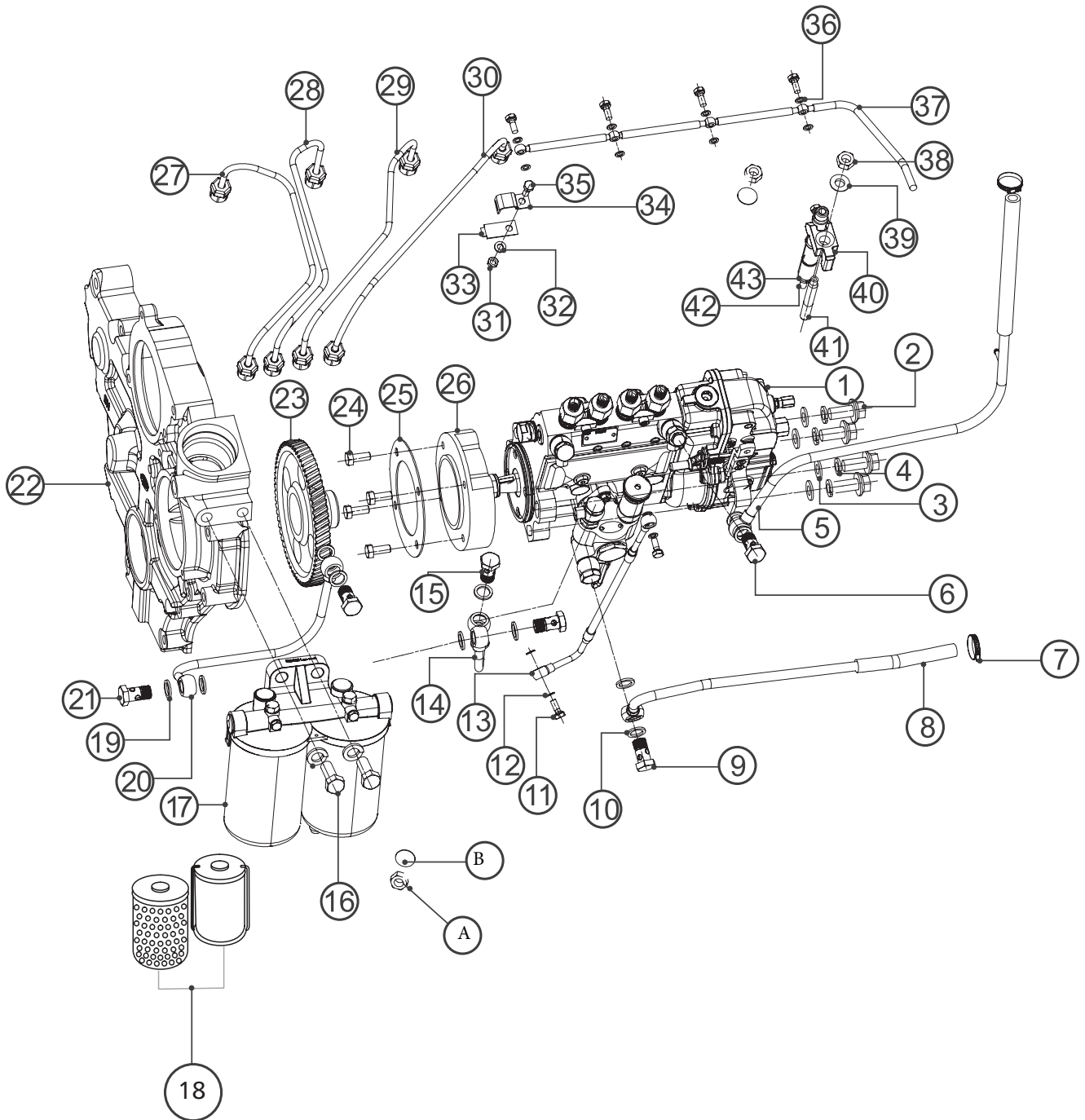
CRANKSHAFT ASSEMBLY - 4DI



RADIATOR ASSEMBLY



FUEL INJECTION SYSTEM



FUEL INJECTION SYSTEM

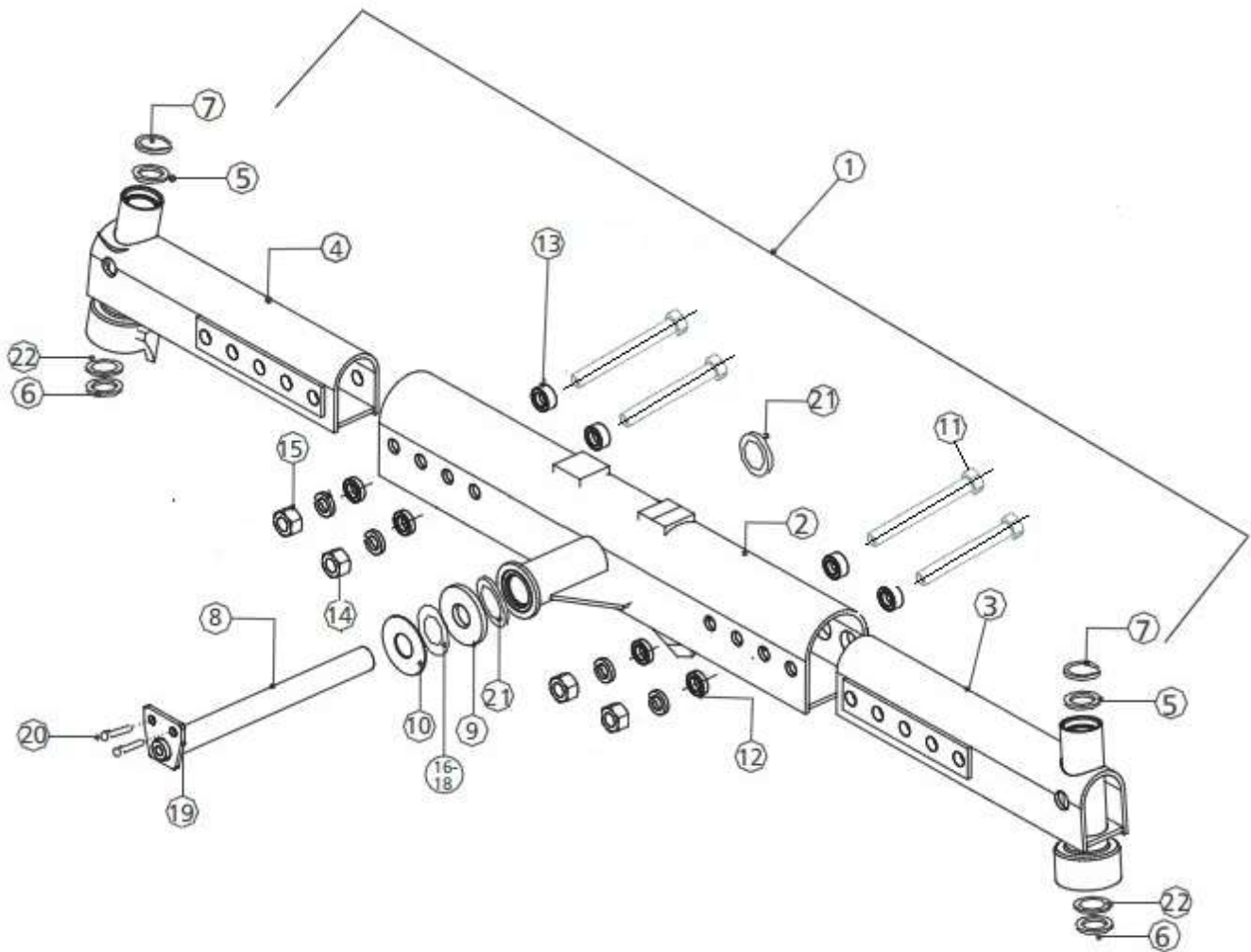
M&M Part Number	Ref.	Description of Part	Quantity		Remarks / Service Bulletin No.
			3DI	4DI	
‡	1	FIP INLINE 39HP DHRUV	1	-	
‡	1	FIP INLINE 42HP DHRUV	-	1	
000020314E05	2	BOLT HEXFL M10X1.5X35.5X8.8	4	4	
000022079RD	3	WASHER PLAIN M10	4	4	
000022273RD	4	WASHER SPRING LOCK M10	4	4	
006014964V91	5	PIPE FIP OVERFLOW 3DI - DHRUV	1	-	
006014963V91	5	PIPE FIP OVERFLOW 4DI - DHRUV	-	1	
‡	6	BOLT BANJO	1	1	
005556668R91	7	HD4EP-201,CLIP PIPE RES.TO PUMP-WORM	2	2	
006014957V91	8	PIPE TANK TO FEED PUMP 4DI - DHRUV	-	1	
006014958V91	8	PIPE TANK TO FEED PUMP 3DI - DHRUV	1	-	
001232932R1	9	BOLT BANJO-M14	4	4	
006011056B1	10	WASHER SEALING (GASKET) copper fuel sup.	4	4	
001081723R1	11	BOLT BANJO	2	2	
006009551F1	12	WASHER COPPER 0.413 * 0.528 *	4	4	
006009292B1	13	PIPE LUB OIL TO FIP 295DI	1	-	
006005669B1	13	PIP E CPT E FIP LUBRICATION	-	1	
006019645V91	14	PIPE FEEDPUMP TO FILTER DHRUV	1	1	
001232932R1	15	BOLT BANJO-M14	4	4	
000016469P04	16	BOLT HEXFL M12X1.75X35X10.9	2	2	
006014906V91	17	FUEL FILTER ASSLY - DHRUV	1	1	
006020810V1	18	▶ ELEMENT FUEL FILTER STAR TYPE DHRUV	2	2	
006023208V1	A	▶ SLUDGE SCREW NYLON	2	2	
006023209V1	B	▶ O- RING	2	2	
006011056B1	19	WASHER SEALING (GASKET) copper fuel sup.	8	8	
006019646V91	20	PIPE FUEL FILTER TO FIP DHRUV	1	1	
001232932R1	21	BOLT BANJO-M14	4	4	
006014039V1	22	CRANKCASE FRONT COVER	1	1	
006013257B1	23	BS3A STEEL FIP GEAR	1	1	
000020307E05	24	BOLT Flanged M8 X 1.25- 6g X 20 HEX-H3	4	4	
006025888V1	25	GASKET F.I.P.ADAPTER PLATE	1	1	
006011999B1	26	FIP FLANGE PLATE BS3A	1	1	
006014951V91	27	PIPE - HPP CYL NO 1 TC DHRUV -39 HP,45HP	1	1	
006014719V91	27	PIPE - HPP CYL NO 1 NA DHRUV-31 HP, 39 HP,42HP,	1	1	
006014952V91	28	PIPE - HPP CYL NO 2 TC DHRUV 39 HP,45HP	1	-	
006014720V91	28	PIPE - HPP CYL NO 2 NA DHRUV 31HP,39HP,42HP	1	1	
006014953V91	29	PIPE - HPP CYL NO 3 TC DHRUV 39HP,45HP	1	-	
006014721V91	29	PIPE - HPP CYL NO 3 NA DHRUV 31HP,39HP,42HP	1	1	
006014954V91	30	PIPE - HPP CYL NO 4 NA DHRUV 45 HP	-	1	
001233807R1	31	NUT HEX M6 X 1.0 X 5 X 6.6	2	2	
001233808R1	32	WASHER SPRING M6	2	2	
000022201RD	33	CLAMP INJ PIPE MALE	2	2	
000022202RD	34	CLAMP FEMALE	2	2	
000022206RD	35	BOLT HEX M6X1X16X8.8	2	2	
‡	36	COPPER WASHER	6	4	
006014900V1	37	PIPE INJECTOR SPILL 3DI - DHRUV	1	-	
006014965V91	37	PIPE INJECTOR SPILL 4DI - DHRUV	-	1	
000020777E05	38	NUT HEX FL M8 X 1.25 X 8.7 X 8	3		

FUEL INJECTION SYSTEM

M&M Part Number	Ref.	Description of Part	Quantity		Remarks / Service Bulletin No.
			3DI	4DI	
000022055RD	38	NUT HEX M10 X 1.5 X 8 X 8		4	
000022056RD	39	WASHER INJ NOZZLE HOLDER	3	4	
000020289E05	39	WASHER INJ NOZZLE HOLDER	3		
006002471B1	40	CLAMP NOZZLE HOLDER P TYPE INJECTOR	3	4	
008000010F1	40	CLAMP NOZZLE HOLDER 31 HP	3		
006002569B1	41	STUD CLAMP NOZZLE HOLDER P TYPE INJECTOR	3	4	
000020266E05	41	STUD -SACTOR	3		
006006124B91	42	INJECTOR FOR MDI PHASE II	3	-	
006006267D91	42	INJECTOR FOR MDI PHASE II ENGINES - 4 DI	-	4	
006005475D1	43	COPPER WASHERINJECTOR3.5mm	-	4	
006002612H1	43	WASHER FOR INJECTOR 3.0 MM THICKNESS	3	4	
000707321R91	*	SEAL GOVERNOR	2	2	
000708114R3	*	CABLE CLIP	1	1	
000020708E05	*	Hose Clip - Worm Type (Feed pump ends)	1	1	

SHEET METAL

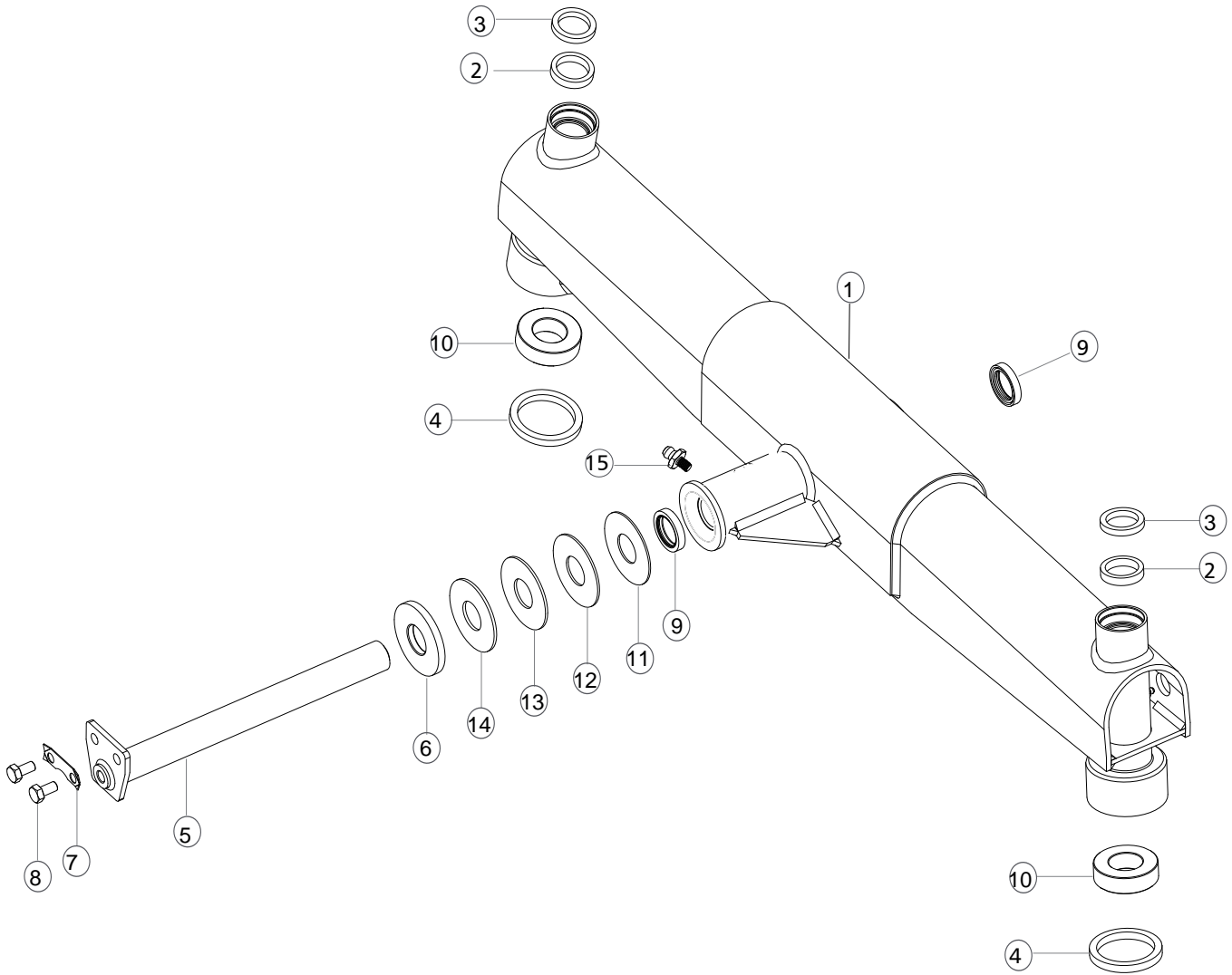
FRONT AXLE



M&M Part Number	Ref.	Description of Part	Quantity		Remarks / Service Bulletin No.
			3DI	4DI	
007608168V91	1	FRONT AXLE ASSY MECHANICAL CPT WITH HUB	1	1	
007611235V91	1	FRONT AXLE ASSY POWER STRG CPT WITH HUB	1	1	
007610026V11	2	FRONT AXLE CENTER BOX(MECH)	1	1	
007611234V11	2	FRONT AXLE CENTER BOX(PS)	1	1	
007608187V11	3	EXTENSION LH CPT	1	1	
007608188V11	4	EXTENSION RH CPT	1	1	
005559894B1	5	TOP OIL SEAL	1	1	
005557019R91	6	BOTTOM OIL SEAL	1	1	
007608267B1	7	RUBBER WASHER	1	1	
007610014V11	8	PIVOT PIN	1	1	
007607897V1	9	SPACER 8 MM	1	1	
007601161C1	10	THRUST WASHER 2 THK	1	1	
001081755R2	11	FRONT AXLE BOLT	4	4	
007608196V1	12	SLEEVE FRONT(MECH)	4	4	
007611247V1	12	SLEEVE FRONT(PS)	4	4	
007608189V91	13	SLEEVE REAR(MECH)	4	4	
007611247V1	13	SLEEVE REAR(PS)	4	4	
005555990R1	14	SPRING WASHER	4	4	
005556439R1	15	NUT 3/4 UNC	4	4	
007610779V1	18	SHIM 0.4 MM	AR	AR	
007601418C1	19	LOCK PLATE	1	1	
005552901R1	20	LOCK PLATE BOLT	2	2	
007600238C91	21	OIL SEAL	2	2	
01231413R91	22	THRUST BEARING	2	2	

* Parts Not Illustrated / ‡ Not Serviceable Separately / ♦ Alternate Part Number / A/R As Required

FRONT AXLE SINGLE PIECE

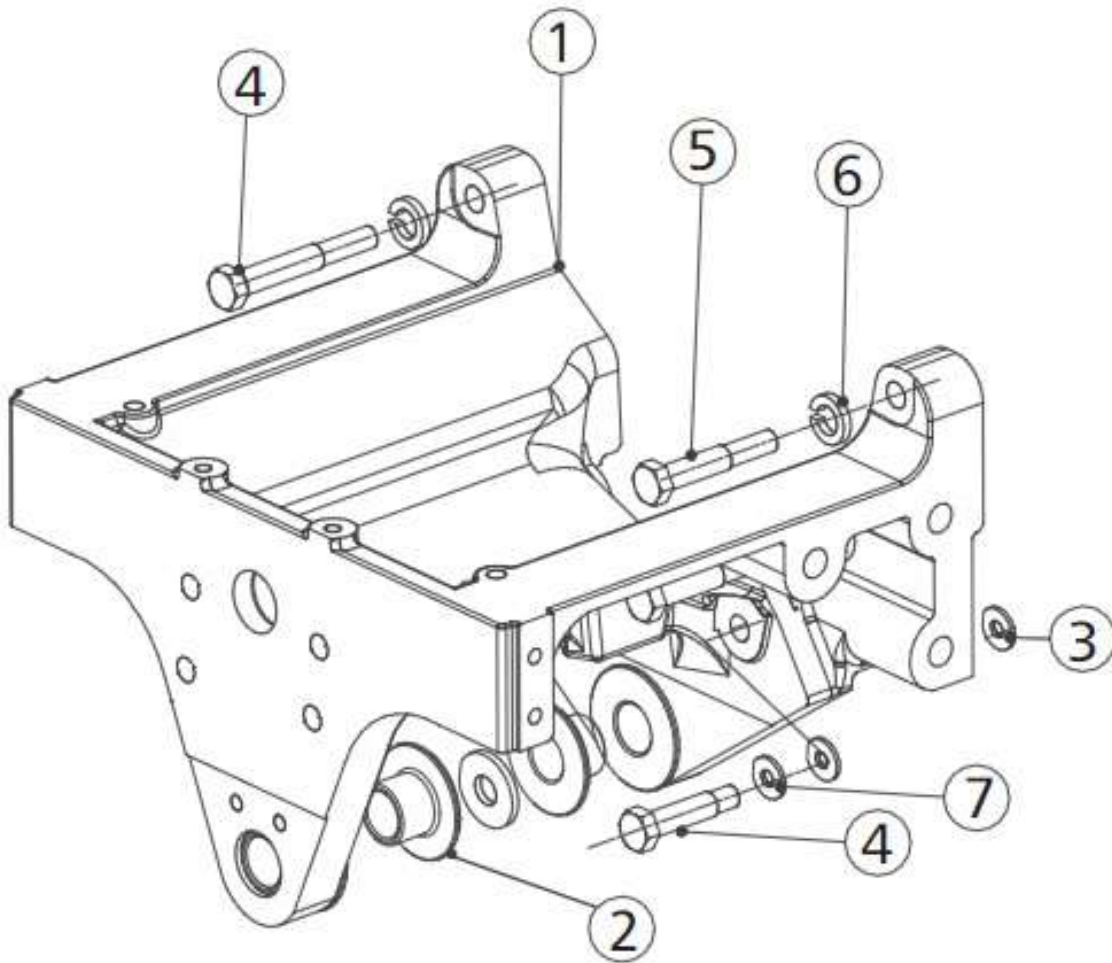


FRONT AXLE SINGLE PIECE

M&M Part Number	Ref.	Description of Part	Quantity		Remarks / Service Bulletin No.
			3DI	4DI	
007611002V91	1	FRONT AXLE ASSY MECHANICAL STRG.CPTE	1	1	
007611009V91	1	FRONT AXLE ASSY POWER STRG.CPTE	1	1	
005559894B1	2	TOP OIL SEAL	1	1	
007608267B1	3	RUBBER WASHER	1	1	
005557019R91	4	BOTTOM OIL SEAL	1	1	
007610014V1	5	PIVOT PIN	1	1	
007607897V1	6	SPACER 8 MM	1	1	
008006689V1	7	LOCK PLATE	1	1	
005552901R1	8	LOCK PLATE BOLT	2	2	
007600238C91	9	OIL SEAL	2	2	
001231413R91	10	THRUST BEARING	2	2	
007601161C1	11	THRUST WASHER 2.0 THK	AR	AR	
008007528V1	12	THRUST WASHER 2.4 THK	AR	AR	
008007529V1	13	THRUST WASHER 2.8 THK	AR	AR	
008007530V1	14	THRUST WASHER 3.2 THK	AR	AR	
000109461	15	NIPPLE GREASE	1	1	

* Parts Not Illustrated / ‡ Not Serviceable Separately / ◆ Alternate Part Number / A/R As Required

FRONT AXLE SUPPORT

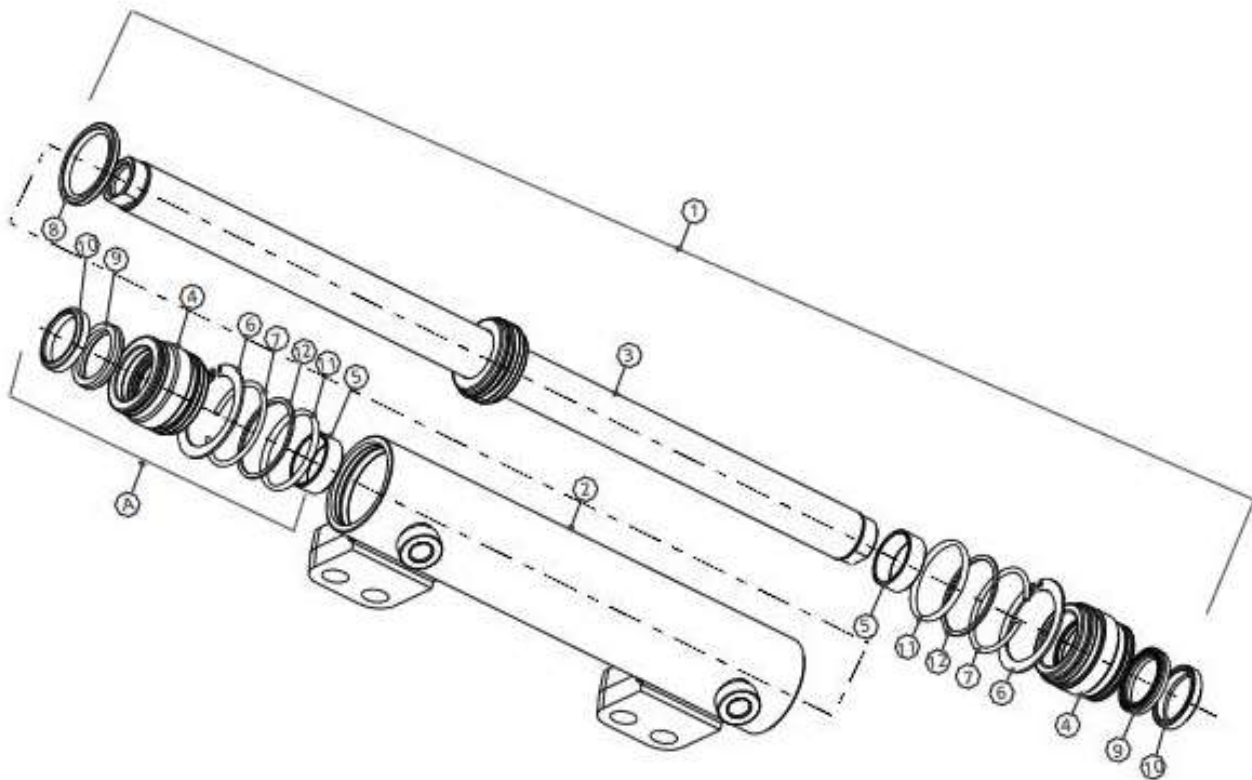
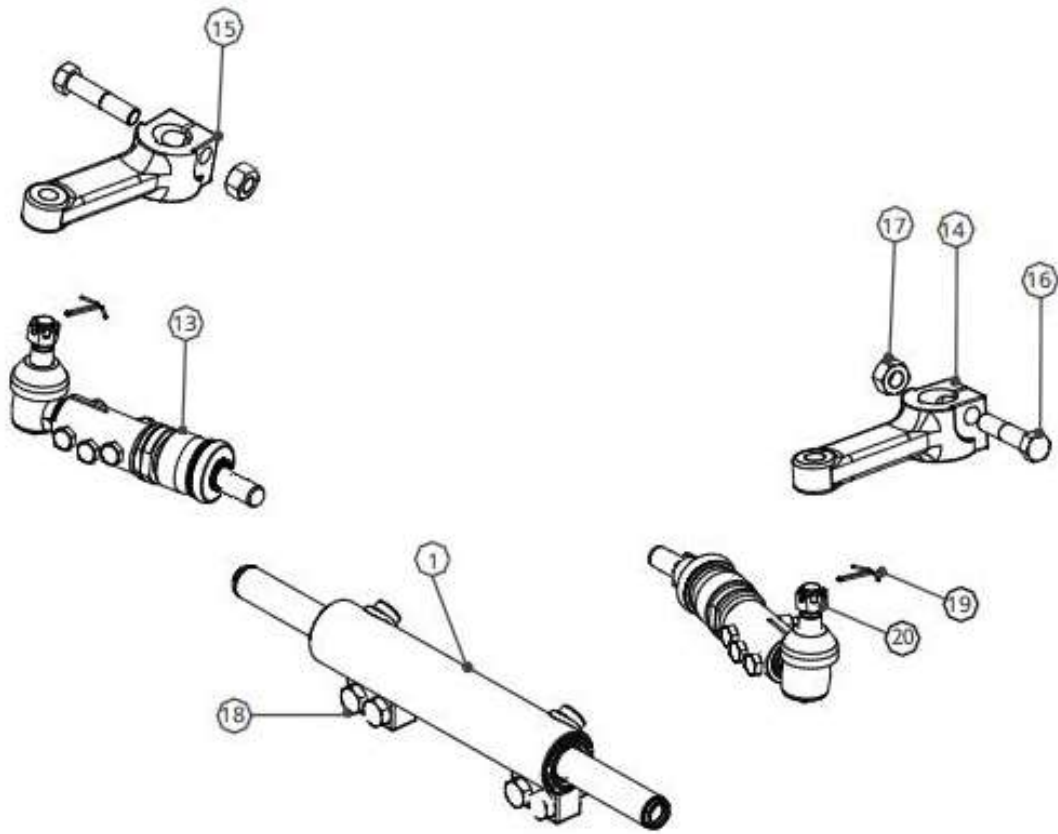


FRONT AXLE SUPPORT

M&M Part Number	Ref.	Description of Part	Quantity		Remarks / Service Bulletin No.
			3DI	4DI	
007608161V91	1	FRONT AXLE SUPPORT ASSY	1	1	
007607899V1	2	BUSH SUPPORT FRONT AXLE	2	2	
007608218V1	3	BALLASTING WEIGHT 34 KG	1	1	
007602044C1	4	BOLT M16X2X110	5	5	
007535630D1	5	BOLT M16X2X70	3	3	
005556521R1	6	SPRING WASHER M16	6	6	
007610478V1	7	SPACER	4	4	

* Parts Not Illustrated / ‡ Not Serviceable Separately / ◆ Alternate Part Number / A/R As Required

PS CONNECTING TIE ROD AND KNUCKLE ARM

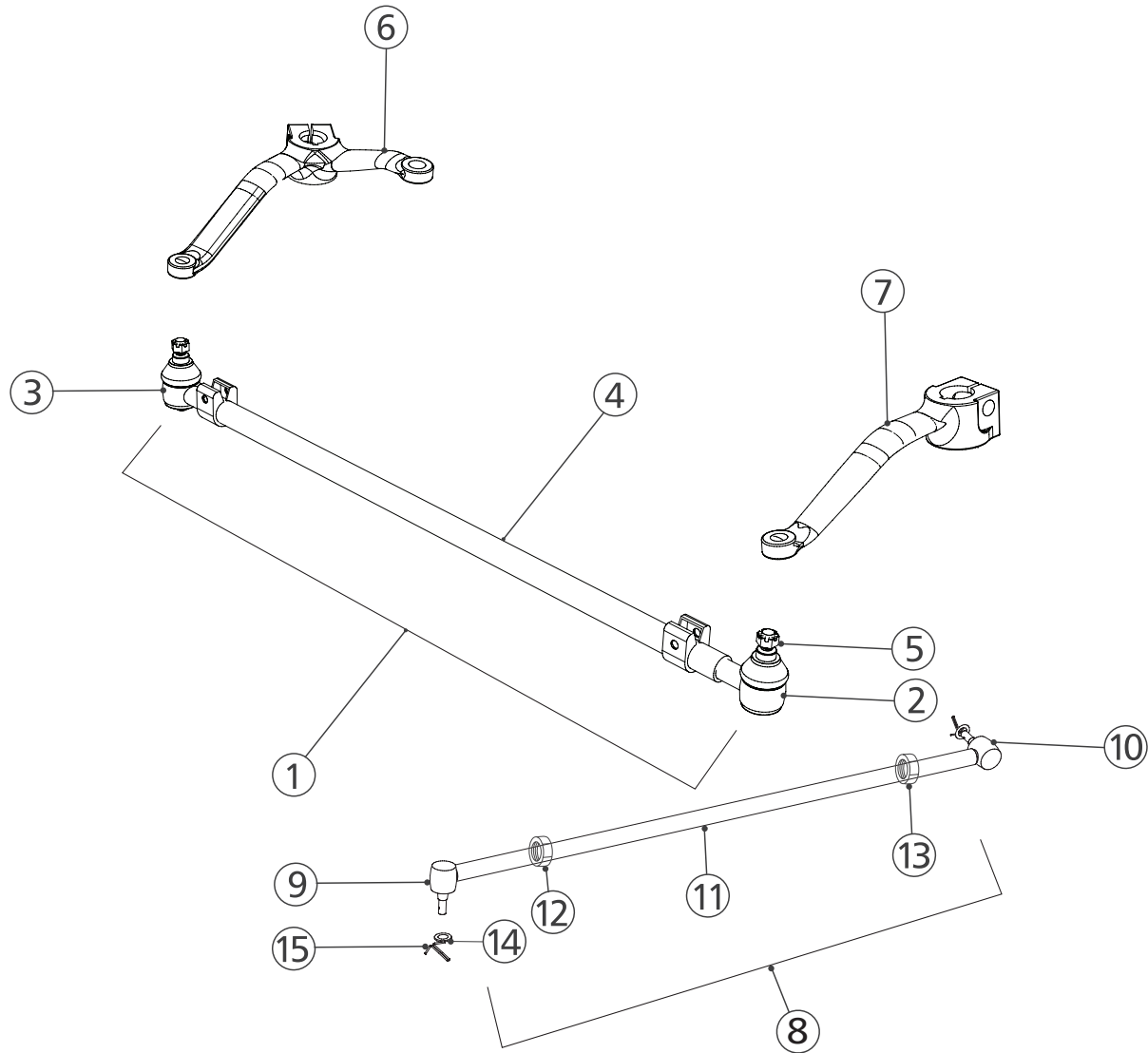


PS CONNECTING TIE ROD AND KNUCKLE ARM

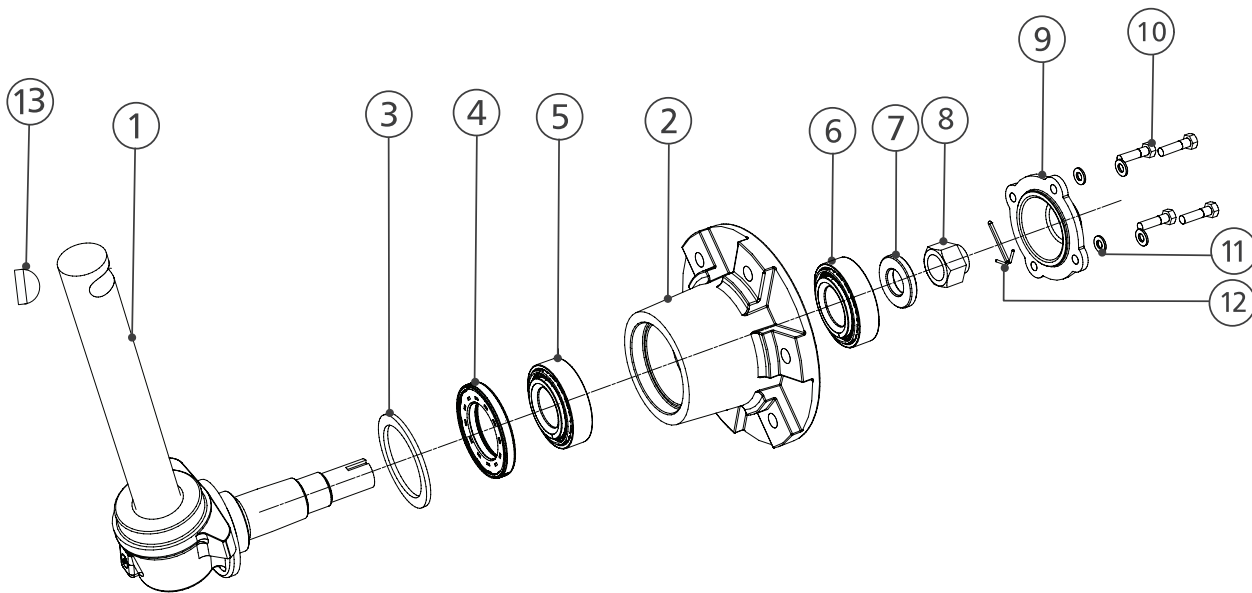
M&M Part Number	Ref.	Description of Part	Quantity		Remarks / Service Bulletin No.
			3DI	4DI	
007209031V11	1	STEERING CYLINDER WIPRO	1	1	
007209491V11	1	STEERING CYLINDER OGNIBENE	1	1	
‡	2	➔ TUBE S/A	1	1	
‡	3	➔ PISTON ROD S/A	1	1	
‡	4	➔ HEAD END COVER	2	2	
‡	5	➔ BIMETAL BUSH	2	2	
‡	6	➔ LOCK WASHER	2	2	
‡	7	➔ SNAP RING	2	2	
007206927B1	A	➔ SEAL KIT -WIPRO	1	1	
007207169V91	A	➔ SEAL KIT -OGNIBENE	1	1	
‡	8	➔ PISTON SEAL	1	1	
‡	9	➔ ROD SEAL	2	2	
‡	10	➔ WIPER	2	2	
‡	11	➔ O-RING	2	2	
‡	12	➔ BACK-UP RING	2	2	
007610623V91	13	CONNECTING ROD	2	2	
007611228V1	14	STEERING KNUCKLE ARM LH	1	1	
007611229V1	15	STEERING KNUCKLE ARM RH	1	1	
000271565	16	BOLT 5/8	2	2	
00124589	17	NUT 5/8	2	2	
000020305E05	18	CYLINDER MT M14 BOLT	4	4	
000041595C08	19	COTTER PIN	2	2	
000933471R1	20	NUT 12MM	2	2	

* Parts Not Illustrated / ‡ Not Serviceable Separately / ◆ Alternate Part Number / A/R As Required

TIE ROD AND STEERING KNUCKLE MECHANICAL



HUB ASSEMBLY POWER STEERING

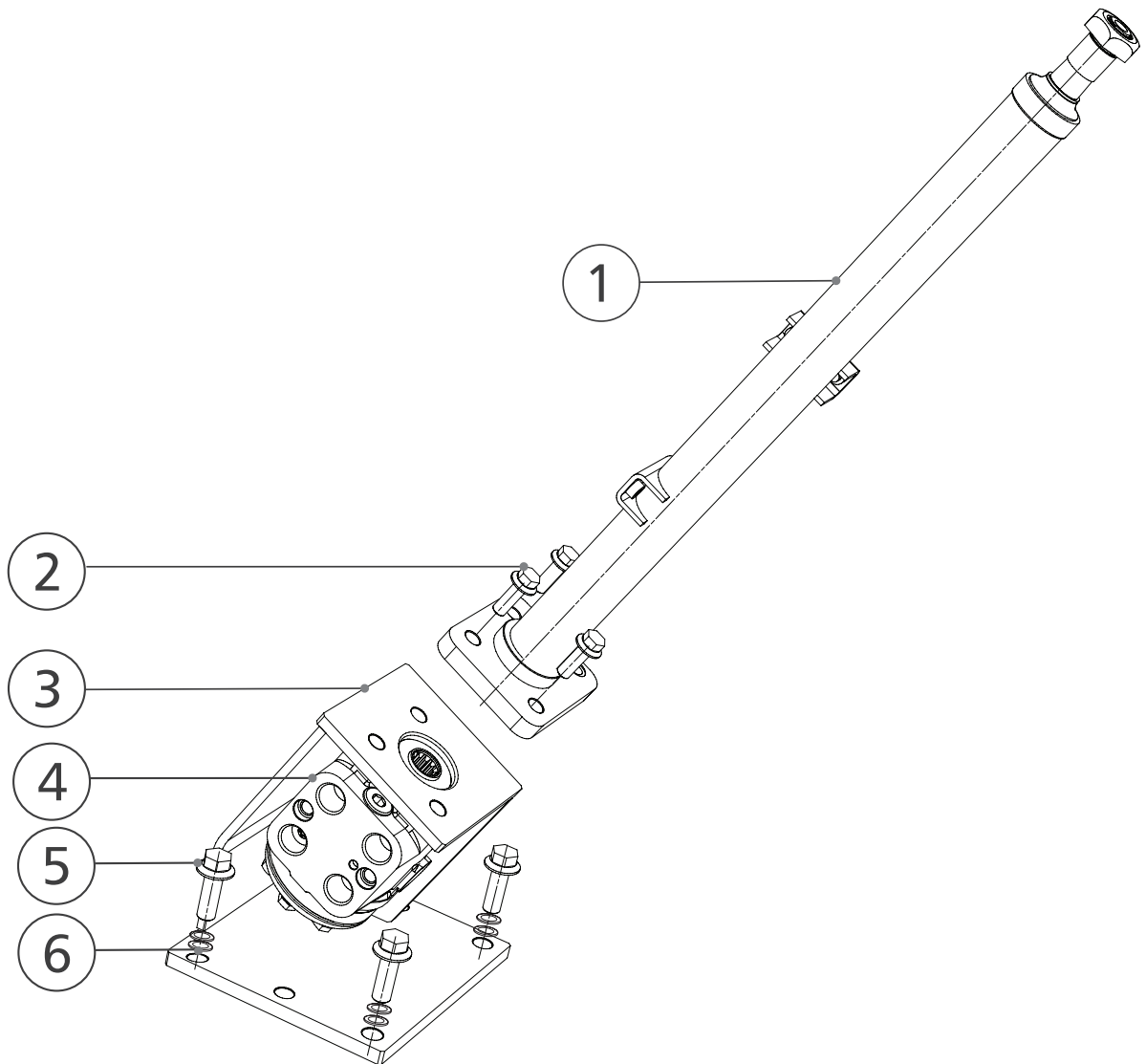


HUB ASSEMBLY POWER STEERING

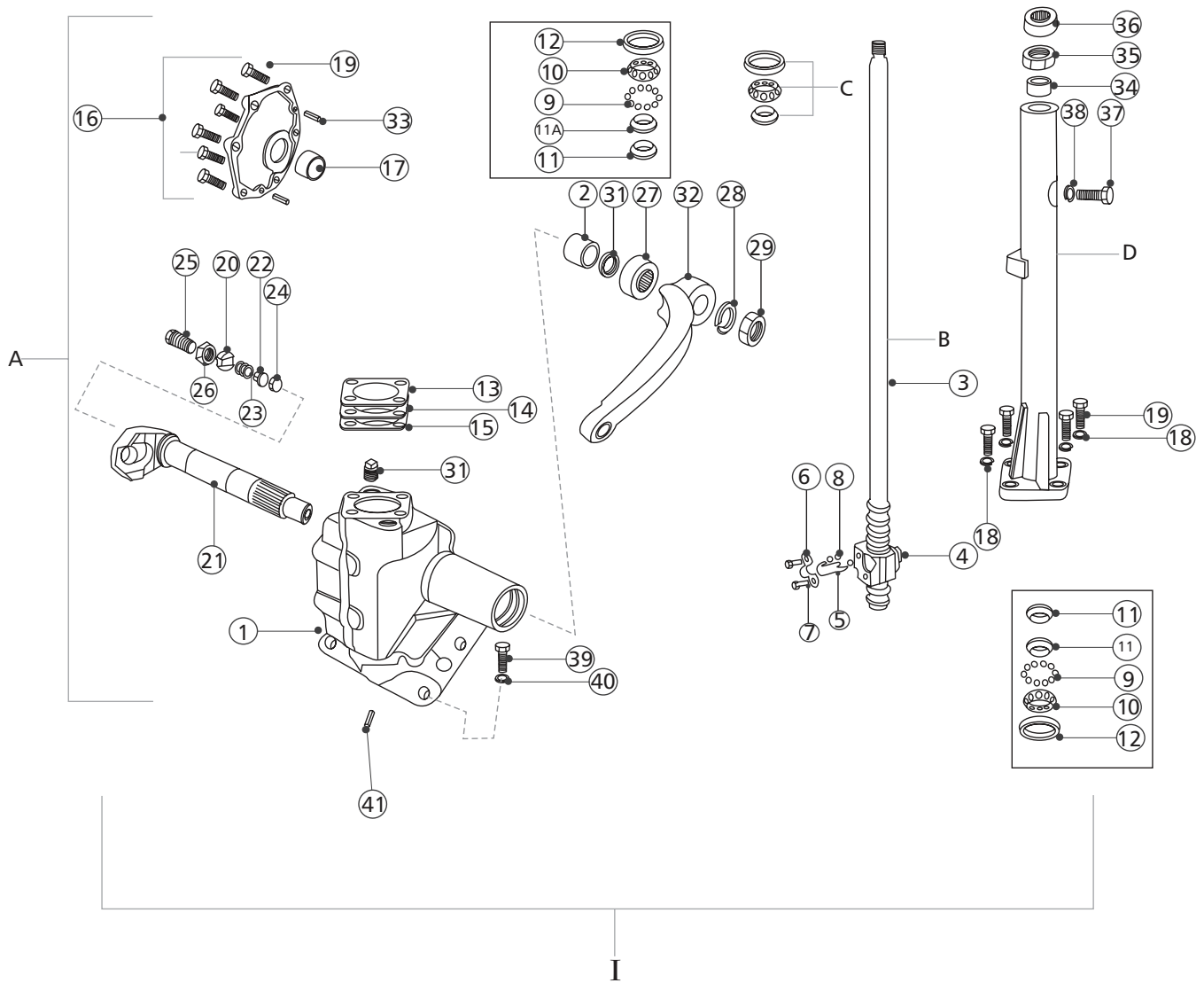
M&M Part Number	Ref.	Description of Part	Quantity		Remarks / Service Bulletin No.
			3DI	4DI	
007611229V11	1	STEERING KNUCKLE CPT L.H.	1	1	
007608170V11	1	STEERING KNUCKLE CPT L.H. (MECHANICAL)	1	1	
007611230V11	1	STEERING KNUCKLE CPT R.H.	1	1	
007608171V11	1	STEERING KNUCKLE CPT R.H.(MECHANICAL)	1	1	
007608172V1	2	HUB FRONT WHEEL	1	1	
007608173V1	3	MUD CAP	1	1	
007609072V91	4	OIL SEAL CASSETTE TYPE	1	1	
007604965B91	5	INNER BEARING	1	1	
005555170R91	6	OUTER BEARING	1	1	
007500064C1	7	WASHER RETAINING OUTER BEARING	1	1	
000040333C08	8	NUT 24	1	1	
007608176V1	9	HUB CAP CASTING	1	1	
005557810R1	10	BOLT M8	4	4	
‡	11	SPRING WASHER M8	4	4	
000103398	12	COTTER PIN	1	1	
000114745	13	KEY WOOD RUFF	2	2	
006507427B1	*	LOCTITE 5060	3ml	3ml	

* Parts Not Illustrated / ‡ Not Serviceable Separately / ◆ Alternate Part Number / A/R As Required

HSU MOUNTING BRACKET & STEERING COLUMN



DRAG LINK AND STEERING GEAR BOX

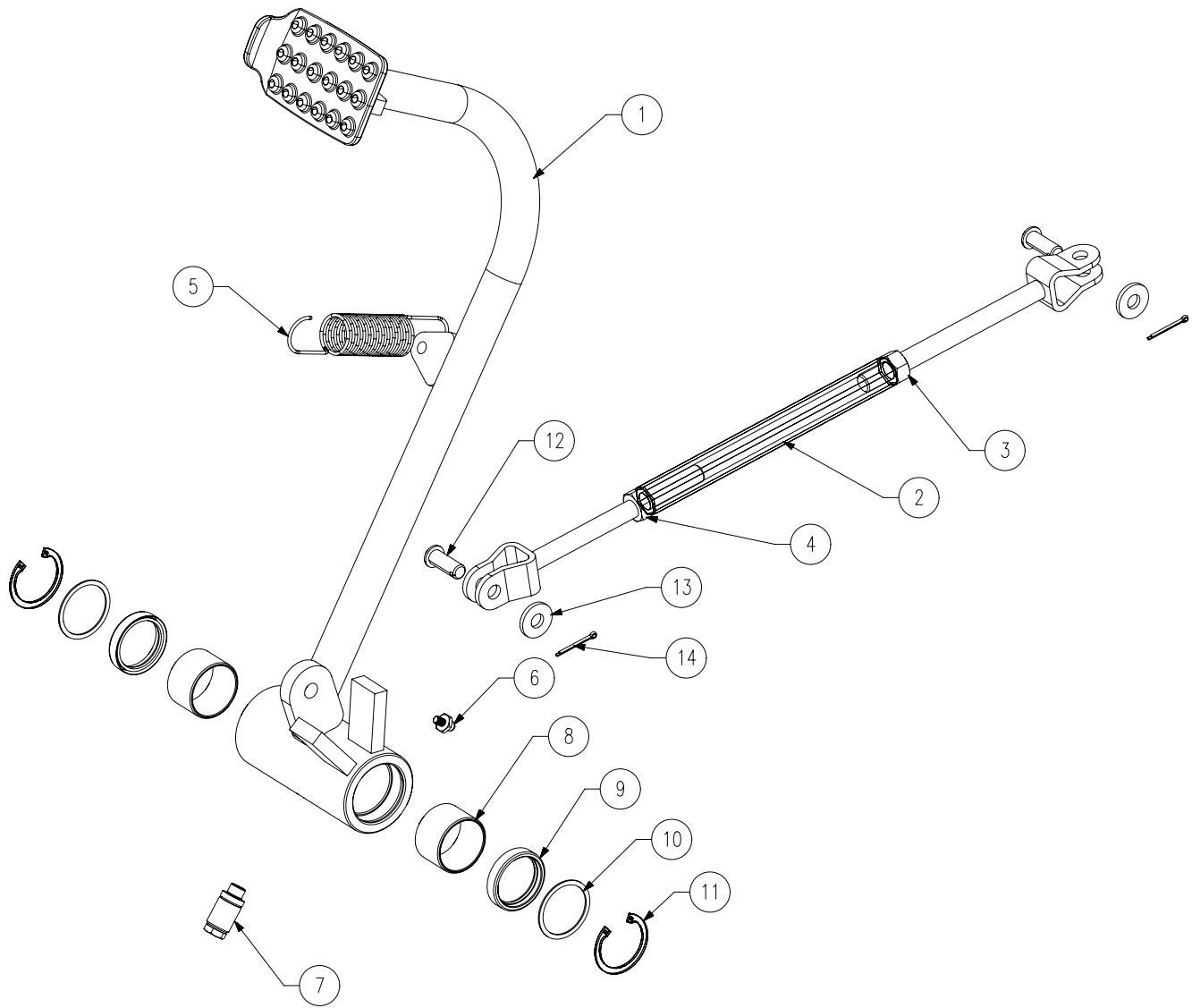


DRAG LINK AND STEERING GEAR BOX

M&M Part Number	Ref.	Description of Part	Quantity		Remarks / Service Bulletin No.
			3DI	4DI	
007608282V91	I	STEERING GEAR ASSY	1	1	
007608283V91	A	BOX SUB ASSEMBLY	1	1	
‡	1	BOX	1	1	
007610020V1	2	ROCKER SHAFT BUSH	1	1	
007608285V1	B	INNER COLUMN & M/NUT ASSY.	1	1	
‡	3	INNER COLUMN	1	1	
‡	4	MAIN NUT	1	1	
‡	5	TRANSFER TUBE	1	1	
‡	6	TRANSFER TUBE RETAINER	2	2	
‡	7	BOLT RETAINER	2	2	
‡	8	STEEL BALLS	27	27	
007537163B91	C	BEARING SUB ASSEMBLY	2	2	
007608287V1	9	STEEL BALLS	22	22	
‡	10	NYLON CAGE	2	2	
‡	11	INNER BALL RACE TOP	1	1	
‡	11	INNER BALL RACE BOTTOM	1	1	
‡	12	OUTER BALL RACE	2	2	
001231130R1	13	SHIMS - 10"	AR	AR	
001231131R1	14	SHIMS - 5"	AR	AR	
001231132R1	15	SHIMS - 3"	AR	AR	
‡	16	COVER PLATE SUB ASSEMBLY	1	1	
001233094R1	17	CINTERED BUSH	1	1	
008002898B1	18	M8 SPRING WASHER	10	10	
001231119R1	19	BOLT M8	10	10	
001231108R1	20	SPHERICAL ROLLER	1	1	
007608288V1	21	ROCKER SHAFT	1	1	
‡	22	LOCATOR (ZERO B)	1	1	
‡	23	SPRING	1	1	
‡	24	SPRING SEAT (ZERO B)	1	1	
001231127R1	25	ADJUSTER SCREW	1	1	
001231114R1	26	LOCK NUT	1	1	
001231117R1	27	DUST SEAL	x	x	
007608290V1	28	SPRING WASHER R/S	1	1	
001121327R1	29	LOCK NUT R/S	1	1	
001121330R91	30	OIL SEAL	1	1	
001121314R1	31	OIL PLUG	1	1	
007608293V1	32	DROP ARM	1	1	
001231125R1	33	DOWEL PIN	2	2	
007608294V1	D	OUTER COLUMN ASSEMBLY	1	1	
001231112R1	34	RUBBER BUSH WITH NYLON BUSH	1	1	
007608295V1	35	LOCK NUT	1	1	
007537169B1	36	DUST SEAL	1	1	
‡	37	HEX HEAD SCREW	1	1	
‡	38	FIBRE WASHER	1	1	
000016469P04	39	BOLT M12 X 35	4	4	
005550700R1	40	WASHER M12	4	4	
000141284	41	DOWEL PIN	2	2	

* Parts Not Illustrated / ‡ Not Serviceable Separately / ◆ Alternate Part Number / A/R As Required

CLUTCH PEDAL ASSY

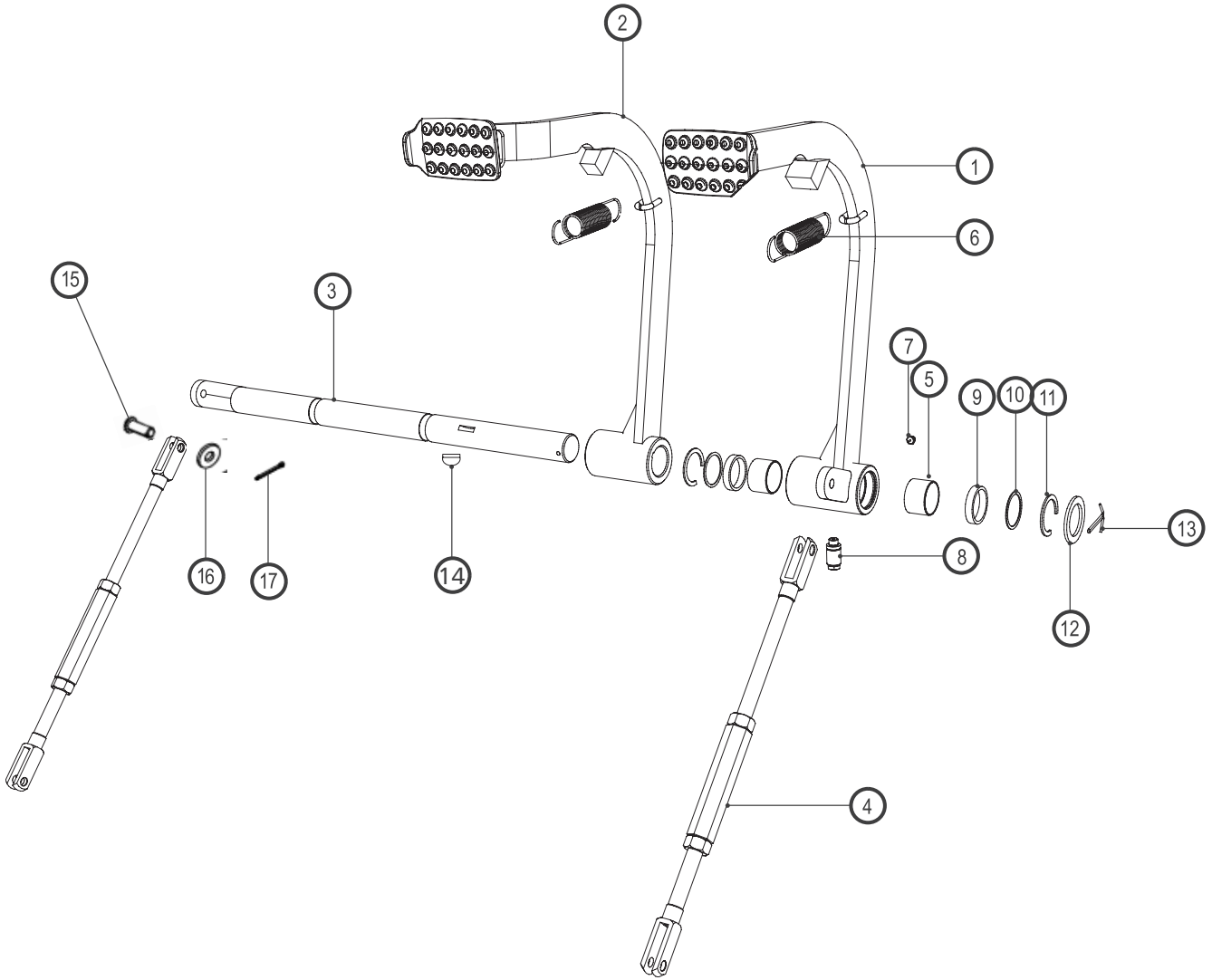


CLUTCH PEDAL ASSY

M&M Part Number	Ref.	Description of Part	Quantity		Remarks / Service Bulletin No.
			3DI	4DI	
007608000V11	1	CLUTCH PEDAL ASSEMBLY	1	1	
007611144V91	2	CONNECTING LINK ASSY	1	1	
‡	3	HEX-NUT M16X2-LH	1	1	
‡	4	HEX-NUT M16X2-RH	1	1	
007609968V1	5	SPRING	1	1	
000109461	6	GREASE NIPPLE	1	1	
005557096R91	7	RELIEF VALVE ASSY	1	1	
001231903R1	8	SINTERED BRONZE BUSH	2	2	
005558548R91	9	DUST SEAL	2	2	
007610460V1	10	MUDCAP WASHER	2	2	
007610578V1	11	CIRCLIIP	2	2	
E007603116D1	12	PIN CLEVIS	2	2	
000120394	13	WASHER	2	2	
000103373	14	PIN COTTER	2	2	

* Parts Not Illustrated / ‡ Not Serviceable Separately / ◆ Alternate Part Number / A/R As Required

BRAKE PEDAL ASSY

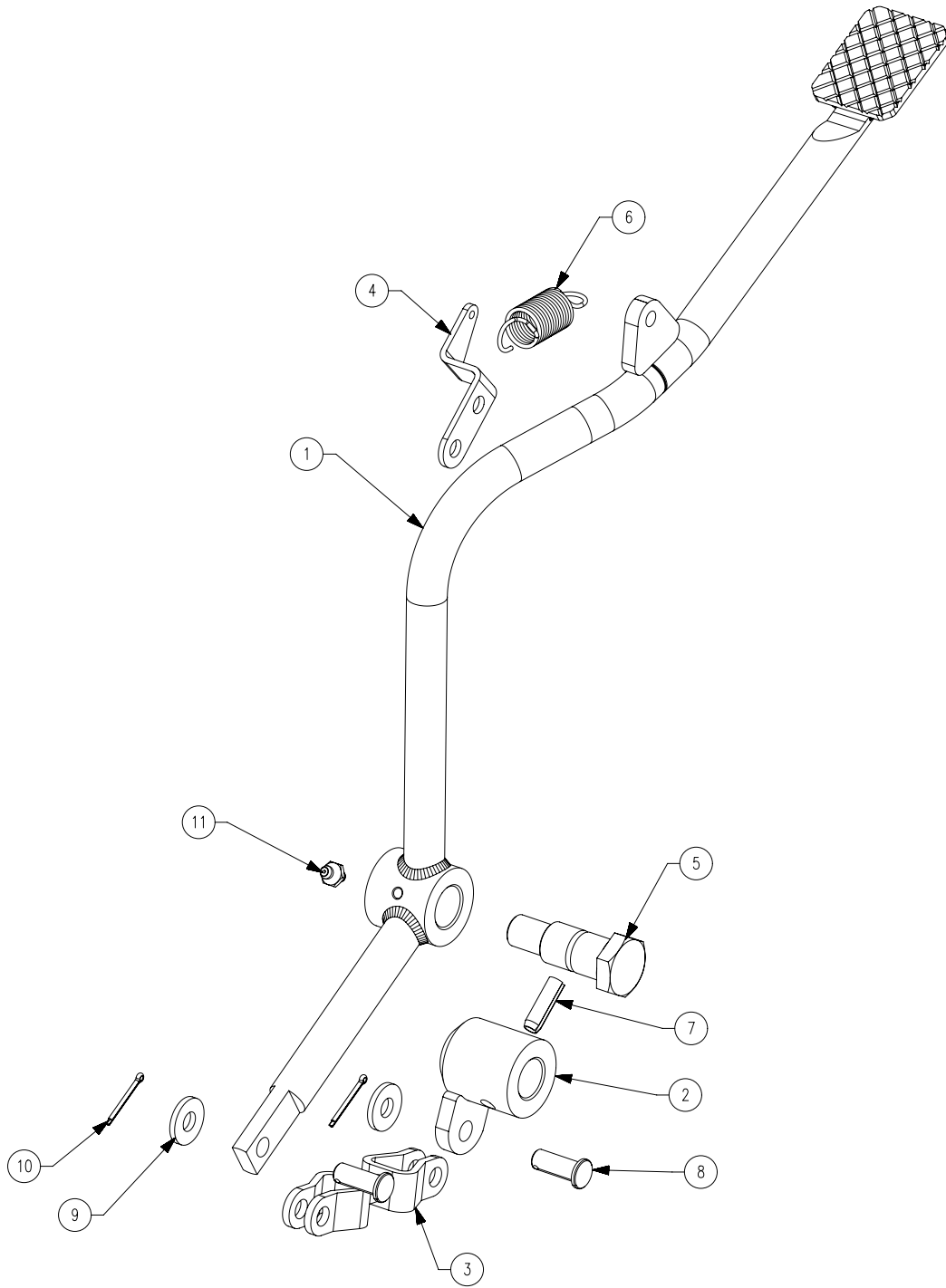


BRAKE PEDAL ASSY

M&M Part Number	Ref.	Description of Part	Quantity		Remarks / Service Bulletin No.
			3DI	4DI	
007607999V91	1	BRAKE PEDAL RH	1	1	
007607998V91	2	BRAKE PEDAL LH	1	1	
007608112V11	3	COMMON SHAFT ASSY	1	1	
007611144V91	4	CONNECTING LINK ASSY	2	2	
001231903R1	5	SINETRED BRONZE BUSH	2	2	
007609967V1	6	SPRING	2	2	
109461	7	GREASE NIPPLE	1	1	
005557096R91	8	RELIEF VALVE ASSY	1	1	
005558548R91	9	DUST SEAL	2	2	
007610460V1	10	MUDCAP WASHER	2	2	
007610578V1	11	CIRCLIP	2	2	
005552116R1	12	WASHER	3	3	
000103411	13	COTTER PIN	1	1	
000124556	14	WOOD-RUFF KEY	1	1	
000012935P04	*	LOCK PIN YOKE	4	4	
E007603116D1	15	PIN CLEVIS	4	4	
000120394	16	WASHER	4	4	
000103373	17	PIN COTTER	4	4	

* Parts Not Illustrated / ‡ Not Serviceable Separately / ♦ Alternate Part Number / A/R As Required

DIFFERENTIAL LOCK PEDAL ASSEMBLY

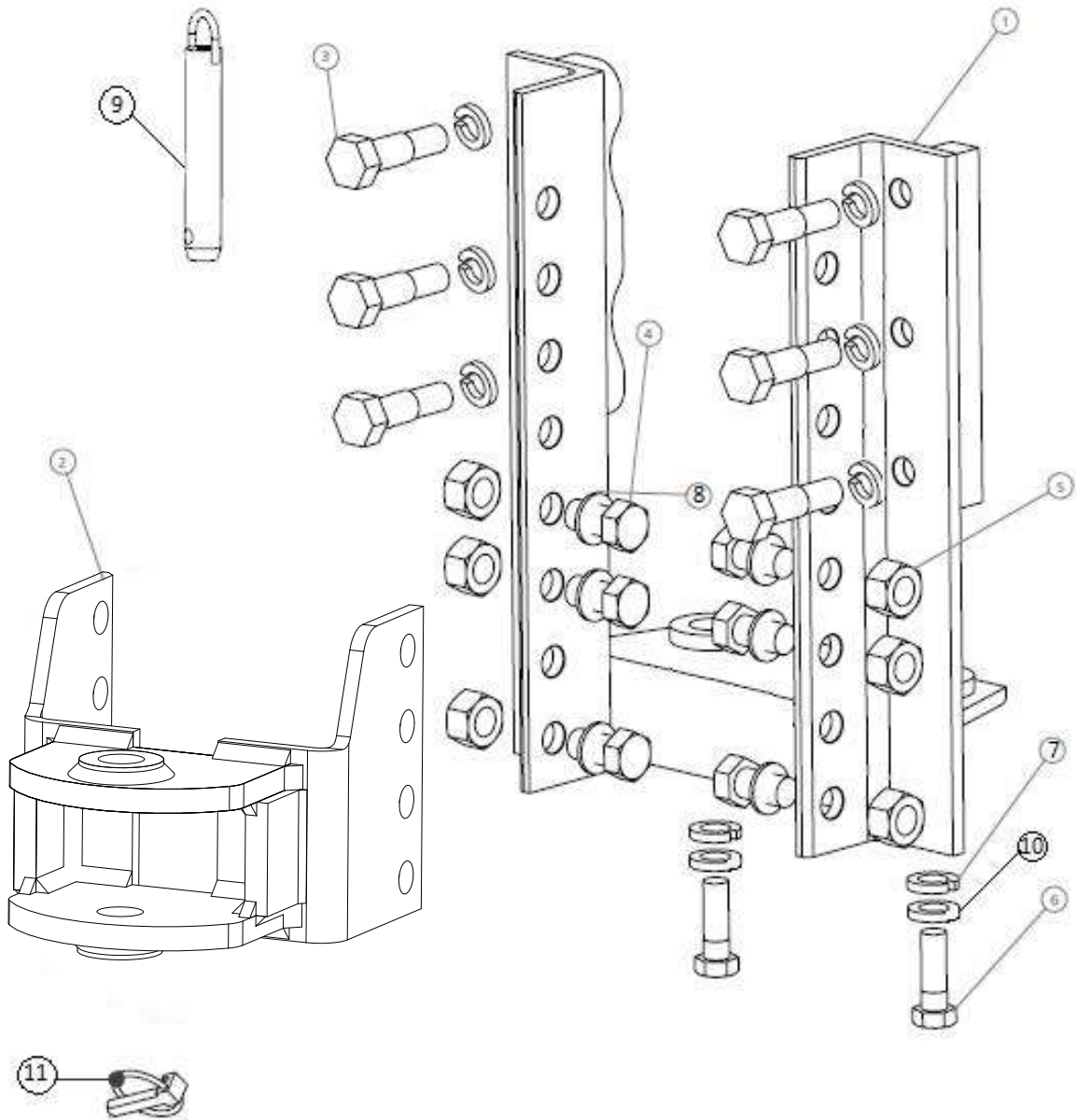


DIFFERENTIAL LOCK PEDAL ASSEMBLY

M&M Part Number	Ref.	Description of Part	Quantity		Remarks / Service Bulletin No.
			3DI	4DI	
007608272V11	1	DIFFLOCK PEDAL	1	1	
007609594V11	2	DIFFLOCK HUB ASSY	1	1	
007610022V11	3	DIFFLOCK CONNECTING LINK	1	1	
007610470V1	4	BRACKET RETURN SPRING HOLDER	1	1	
007610457V1	5	DIFFLOCK PIVOT BOLT	1	1	
000042000C11	6	HELICAL SPRING	1	1	
000012282P04	7	ROLL PIN	1	1	
E007603116D1	8	PIN DIA 10.0	2	2	
000030184R1	9	PLAIN WASHER	2	2	
000103374	10	COTTER PIN	2	2	
000109461	11	GREASE NIPPLE	1	1	
006518638V91	*	KIT DIFFERENTIAL LOCK	-	1	K/137/F17/47

* Parts Not Illustrated / ‡ Not Serviceable Separately / ◆ Alternate Part Number / A/R As Required

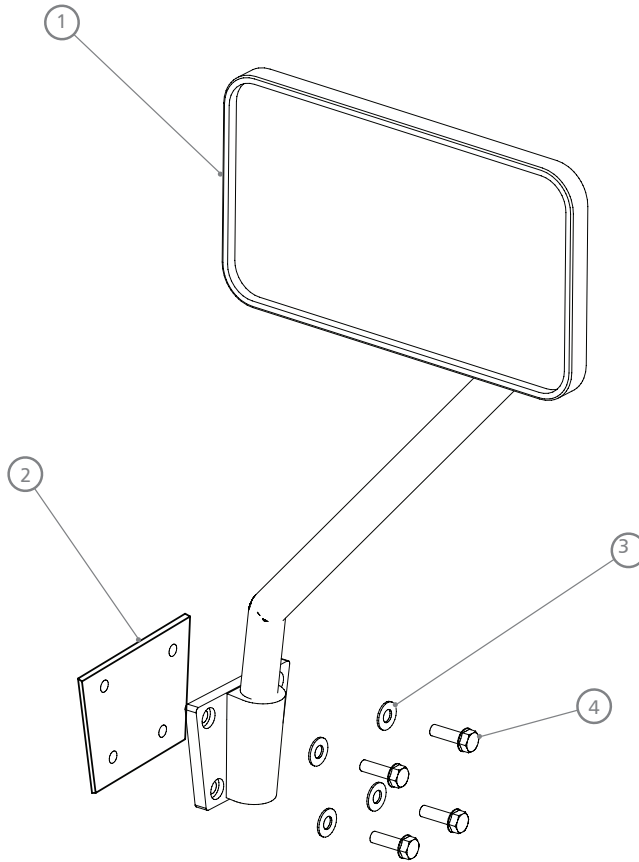
REAR TOW HOOK



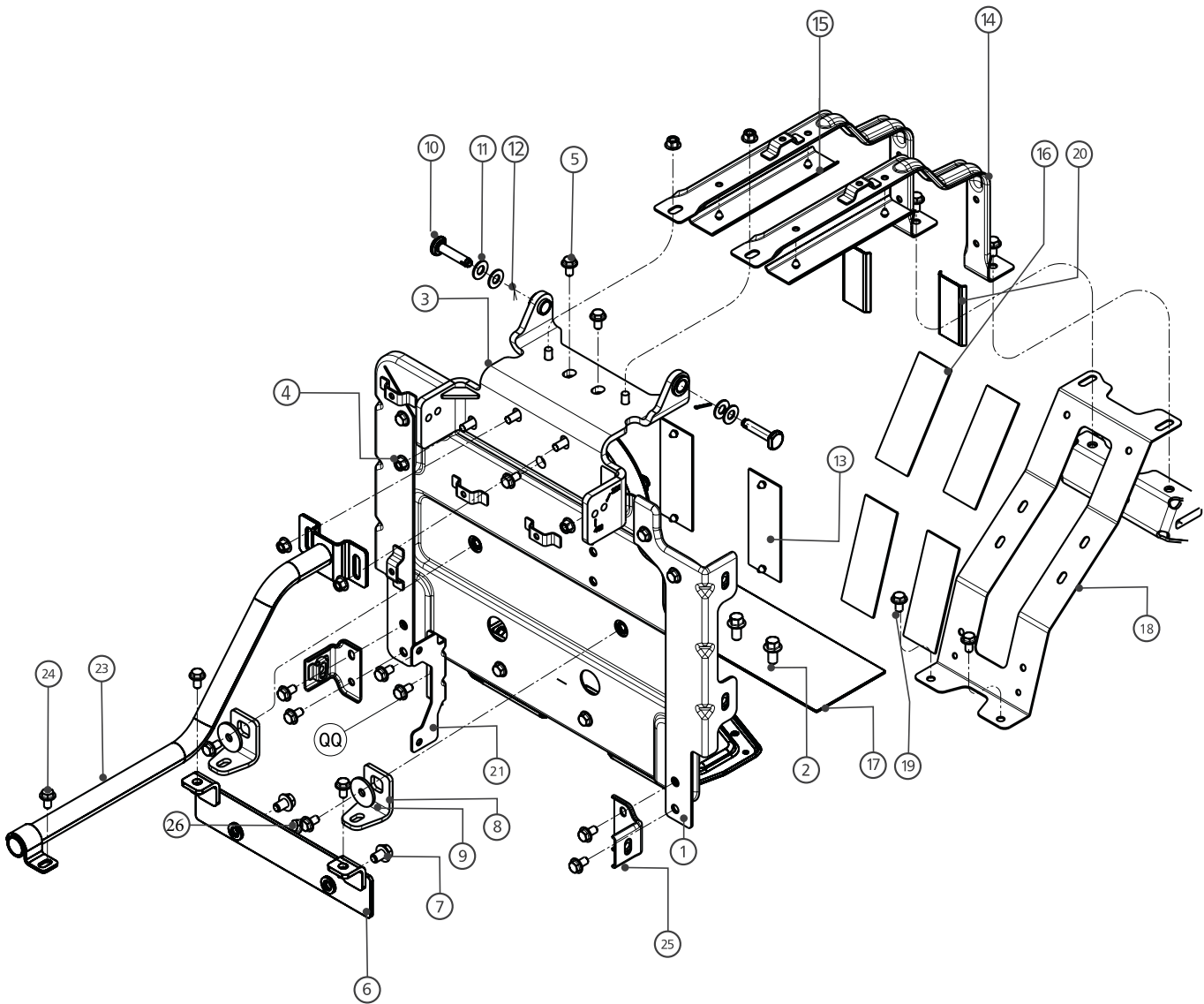
REAR TOW HOOK

M&M Part Number	Ref.	Description of Part	Quantity		Remarks / Service Bulletin No.
			3DI	4DI	
007610807V11	1	REAR TOW HOOK BKT	1	1	
008011426V91	1	REAR TOW HOOK BKT	1	1	Q/10/F17/46
007609638V11	2	REAR TOW HOOK CPTC	1	1	Q/10/F17/46
000040341C08	3	TOW HOOK BRACKET HARDWARE	6	6	
005555986R1	4	TOW HOOK BOLT	8	8	
005556439R1	5	TOW HOOK NUT	8	8	
007900012D1	6	BOTTOM BOLT	2	2	
001233150R1	7	WASHER SPRING LOCK 5/8	8	8	
005555990R1	8	WASHER G 19.05	2	2	
007000087C11	9	TRAILER PIN CPTC	1	1	
001099817R1	10	PLAIN WASHER 16.8x32.5	2	2	
007200598C91	11	LYNCH PIN ASSY	1	1	

MIRROR & POWER STEERING GUARD



HMS AND FUEL TANK ASSY

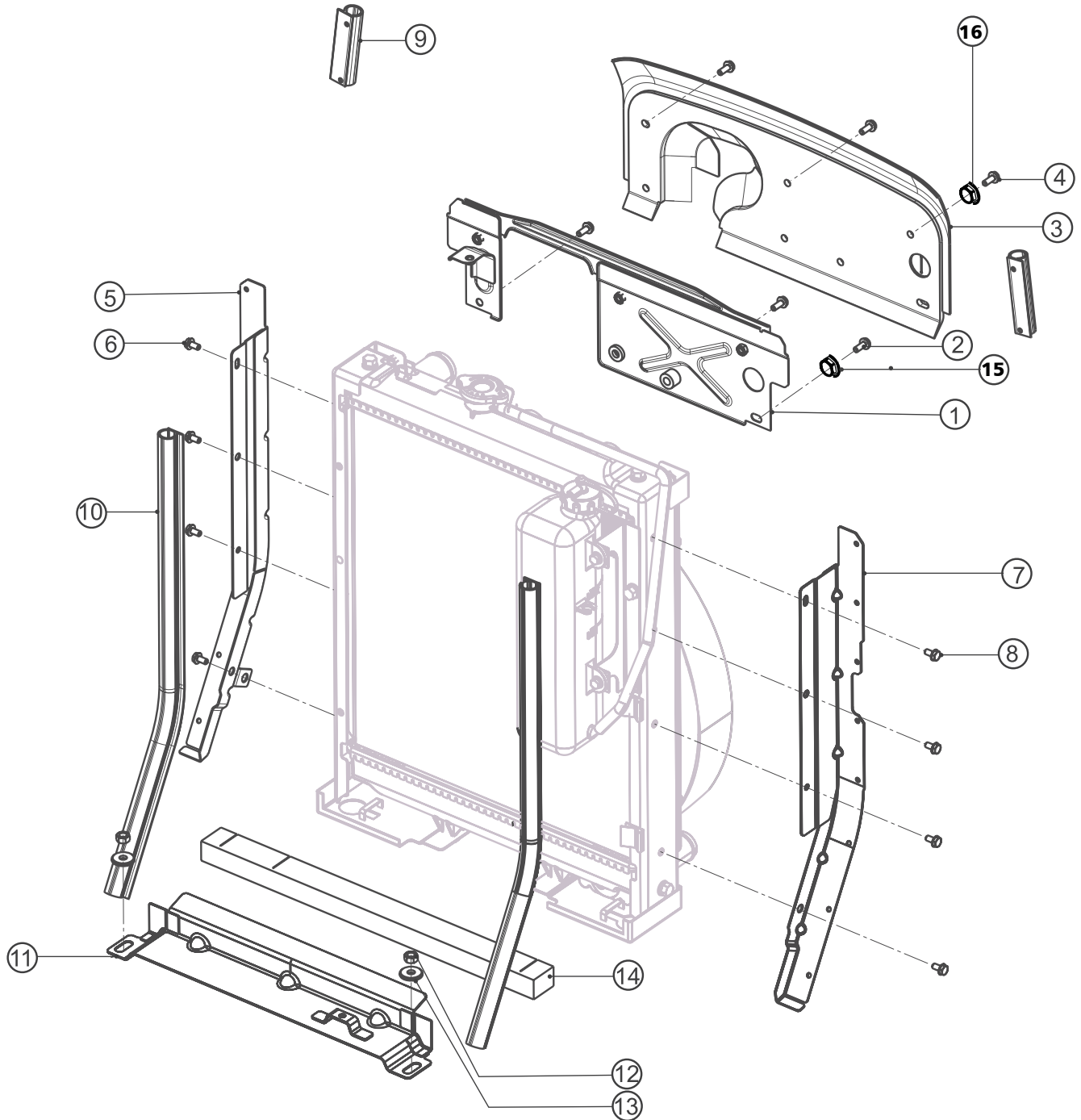


HMS AND FUEL TANK ASSY

M&M Part Number	Ref.	Description of Part	Quantity		Remarks / Service Bulletin No.
			3DI	4DI	
0P7544619V91	1	HMS AND FIREWALL SUB ASSY	1	1	
000020324E05	2	Flanged Bolt M10X16	1	1	
000020565E05	2	Flanged Bolt M10X20	2	2	
007515759V91	3	Assy-Fixed Hinge & Gas Spring Mtg	1	1	
000020777E05	4	Flange Nut M8	6	6	
000020307E05	5	HEX FLANGE Bolt M8X20	3	3	
007515624V91	6	Connecting Bkt Cyl Head	1	1	
000020565E05	7	Hex. Flange Bolt (M10 X 20)	2	2	
007515611V1	8	Bottom Connecting Bkt Assy	2	2	
E007538435D1	9	Washer Mud Splash Protector	2	2	
007544713V1	10	Step pin for Hinge	2	2	
000030184R1	11	Washer M10	4	4	
000103373	12	PIN Cotter 3/32 X 3/4 zinc Plated	2	2	
007515711C1	13	FUEL TANK BOTTOM MOUNTING PAD	2	2	
007543376V91	14	Fuel Tank Bottom Strap Assy	2	2	
007515673V1	15	Beading-Fuel Tank Strap Front	2	2	
007543020V1	16	Fuel Tank Front Mtg Pad	4	4	
007543045V1	17	Fuel Tank bottom Mtg Pad	1	1	
007543277V91	18	Fuel Tank Support Rear Assy	1	1	
000020307E05	19	Flange Hex Head Bolt M8X1.25X25	2	2	
007515651V1	20	Beading-Fuel Tank Strap Rear	2	2	
007543814V91	21	Fuse Box Mtg Bkt Assy	1	1	
000020308E05	22	BOLT HEX M8X1.25X16X8.8	6	6	
007544558V91	23	Hinge Connecting BKT Assy 4DI	---	1	
007544403V91	23	Hinge Connecting BKT Assy 3DI	1	---	
000020308E05	24	BOLT HEXFL M8X1.25X17.5X8.8	2	2	
007544630V91	25	SCUTTLE GAUGE SETTING BKT ASSY	2	2	
000020307E05	26	BOLT HEXFX M8X1.25X20X8.8	4	4	

* Parts Not Illustrated / ‡ Not Serviceable Separately / ♦ Alternate Part Number / A/R As Required

SEALING-DHRUV

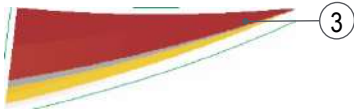




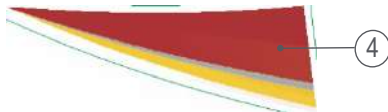
1



2



3



4



6

Dual Clutch 5

Mahindra YUVO 265DI 7 8

Mahindra YUVO 275DI 9 10

Mahindra YUVO 415DI 11 12

Mahindra YUVO 475DI 13 14

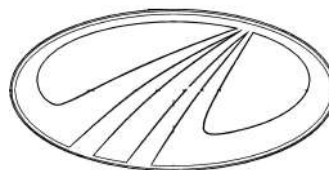
Mahindra YUVO 575DI 15 16

Gear Selection			
Application	Option 1	Option 2	Option 3
Ploughing	M2	L4	
Cultivation	M3	H1	
Duck Foot Cultivator	M2	L4	
Harrowing	M3	H1	
Leveling	M3	H1	
Full cage Wheel	H2	M3	H1
Half Cage Wheel & Puddler	M3	H1	
Half Cage Wheel & Rotavator	M1	L3	
Rotavation	L3	L2	L1
Potato Planter	L2	L3	
Potato Digger	L3	L2	

Speed
 ← High Low →

* Highlighted are recommended gears for Medium, Soft Soil
 Other options can be used as per load conditions.

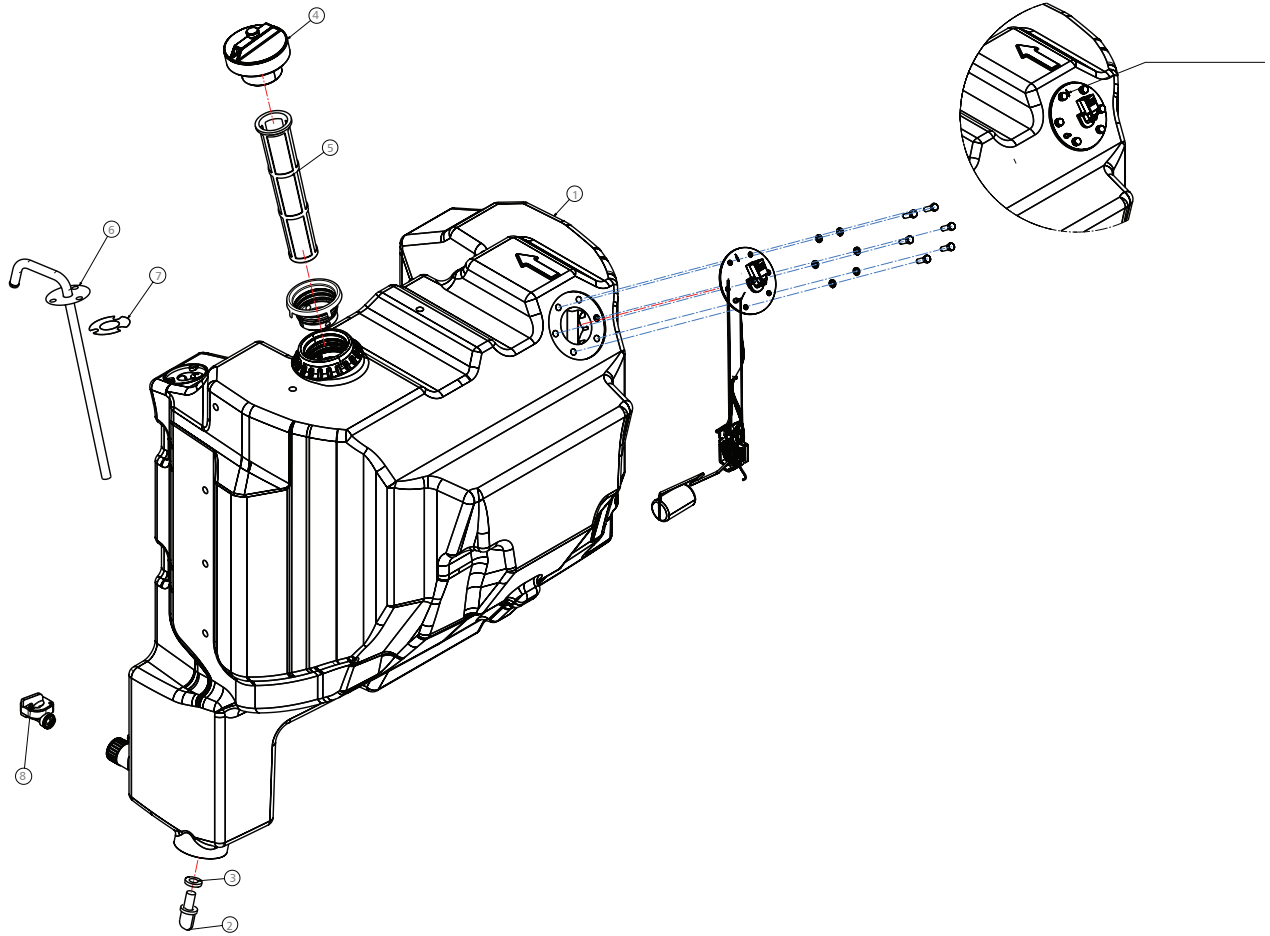
17



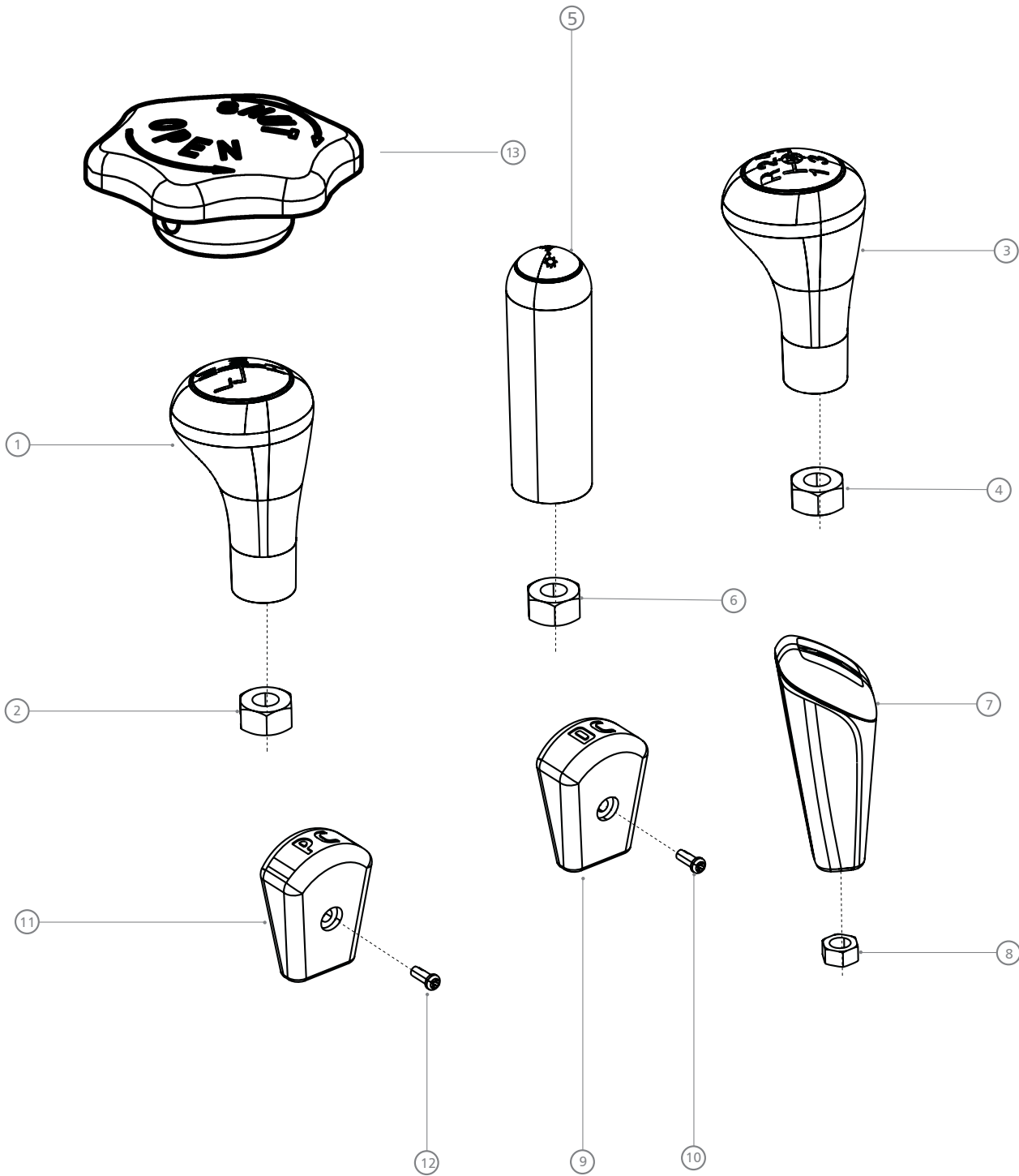
18

M&M Part Number	Ref.	Description of Part	Quantity		Remarks / Service Bulletin No.
			3DI	4DI	
007637626V1	1	STICKER HOOD SIDE PANEL- 3DI LH	1		
007637628V1	1	STICKER HOOD SIDE PANEL- 4DI LH		1	
007637627V1	2	STICKER HOOD SIDE PANEL- 3DI RH	1		
007637629V1	2	STICKER HOOD SIDE PANEL- 4DI RH		1	
007637630V1	3	STICKER SCUTTLE LH	1	1	
007637631V1	4	STICKER SCUTTLE RH	1	1	
007637769V1	5	STICKER DUEL CLUTCH		1	
007637770V1	6	STICKER EMBLEM	1	1	
007637632V1	7	STICKER HOOD TOP PANEL- 265 DI LH	1		
007637633V1	8	STICKER HOOD TOP PANEL- 265 DI RH	1		
007637674V1	9	STICKER HOOD TOP PANEL- 275 DI LH	1		
007637675V1	10	STICKER HOOD TOP PANEL- 275 DI RH	1		
007545803V1	11	STICKER HOOD TOP PANEL- 415 DI LH		1	
007545804V1	12	STICKER HOOD TOP PANEL- 415 DI RH		1	
007637676V1	13	STICKER HOOD TOP PANEL- 475 DI LH		1	
007637677V1	14	STICKER HOOD TOP PANEL- 475 DI RH		1	
007637678V1	15	STICKER HOOD TOP PANEL- 575 DI LH		1	
007637679V1	16	STICKER HOOD TOP PANEL- 575 DI RH		1	
008008573V1	17	STICKER SPEED	1	1	
007505310C1	18	MAHINDRA ""M"" LOGO	1	1	

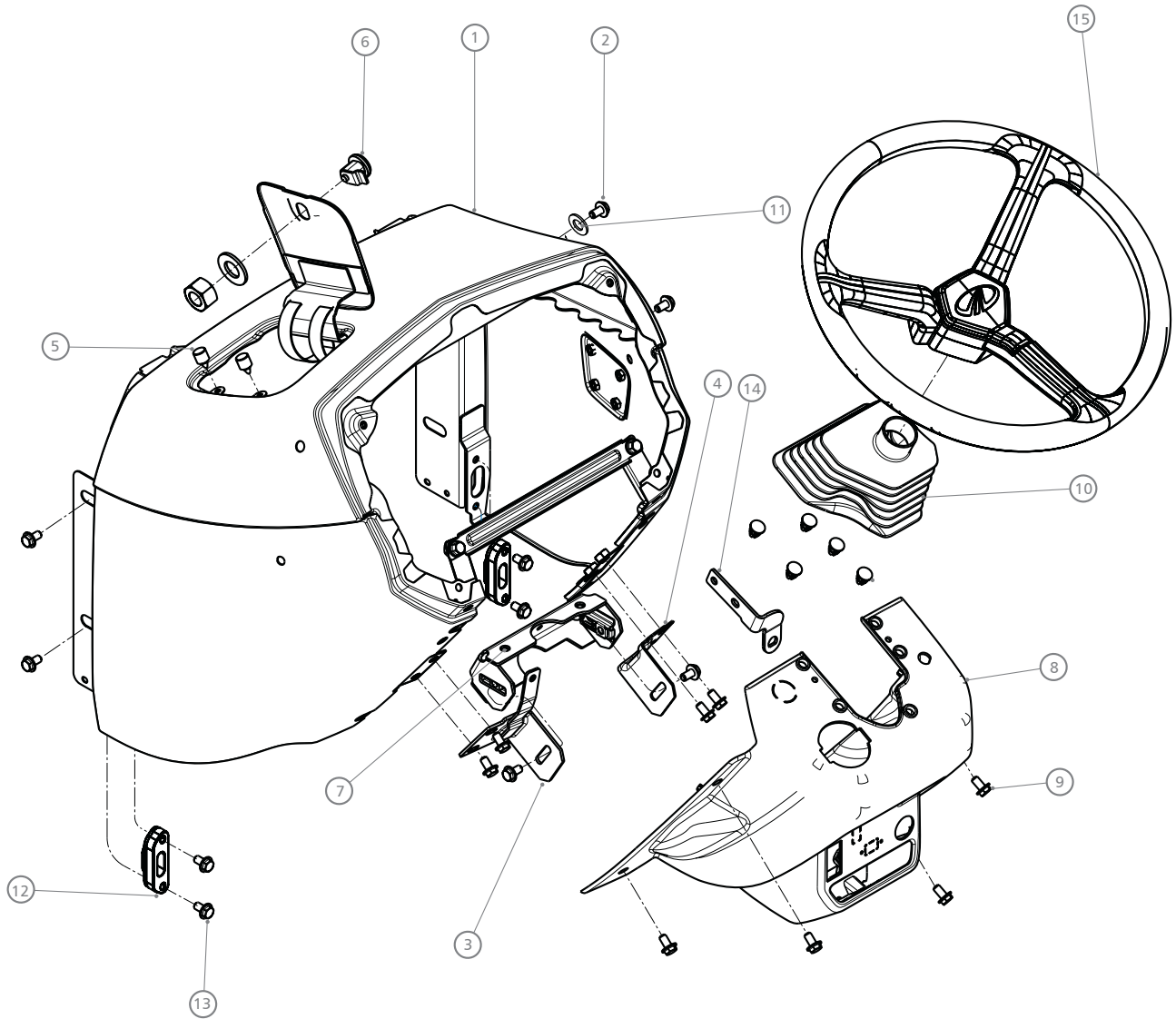
FUEL TANK ASSY



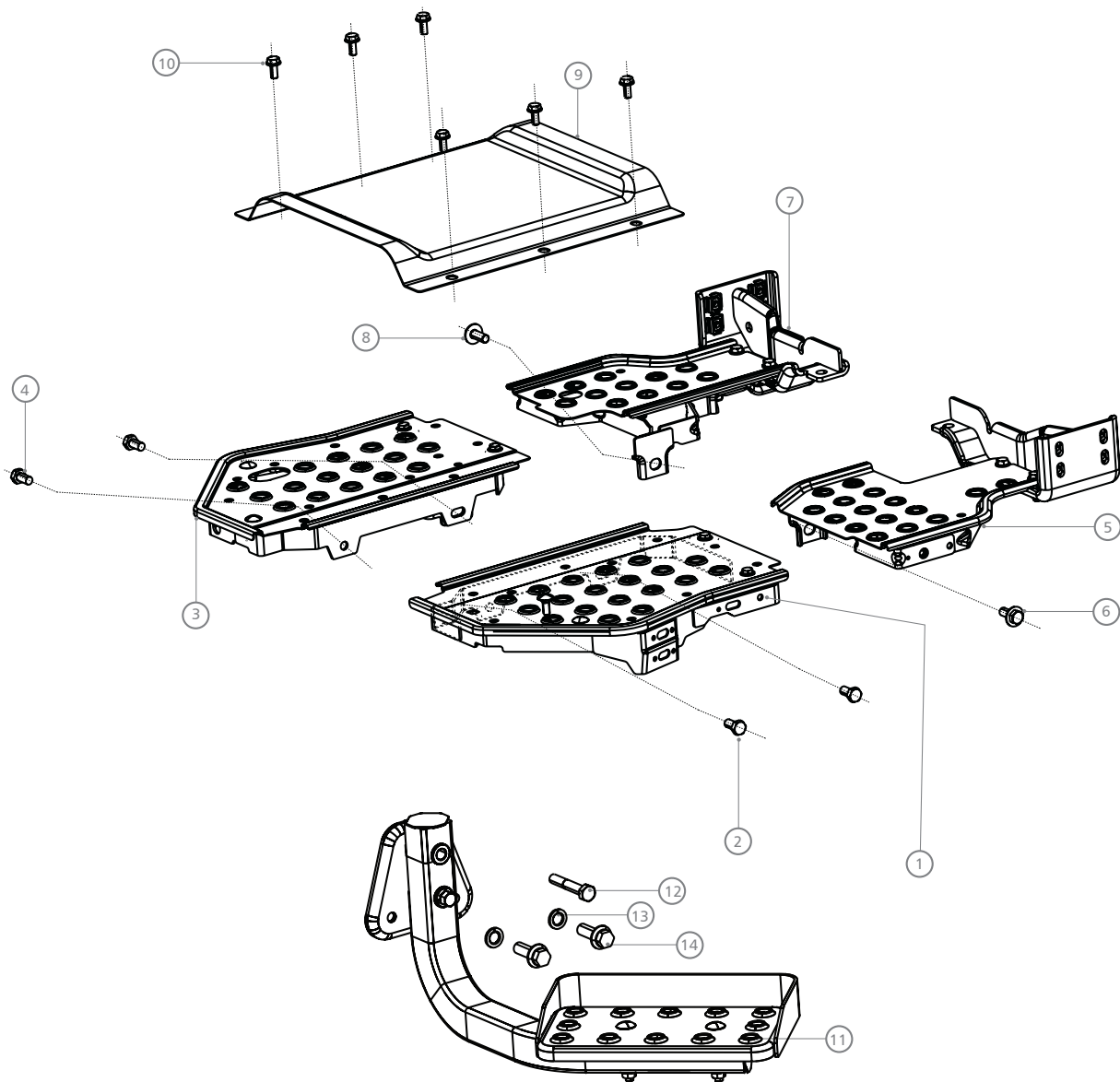
KNOBS



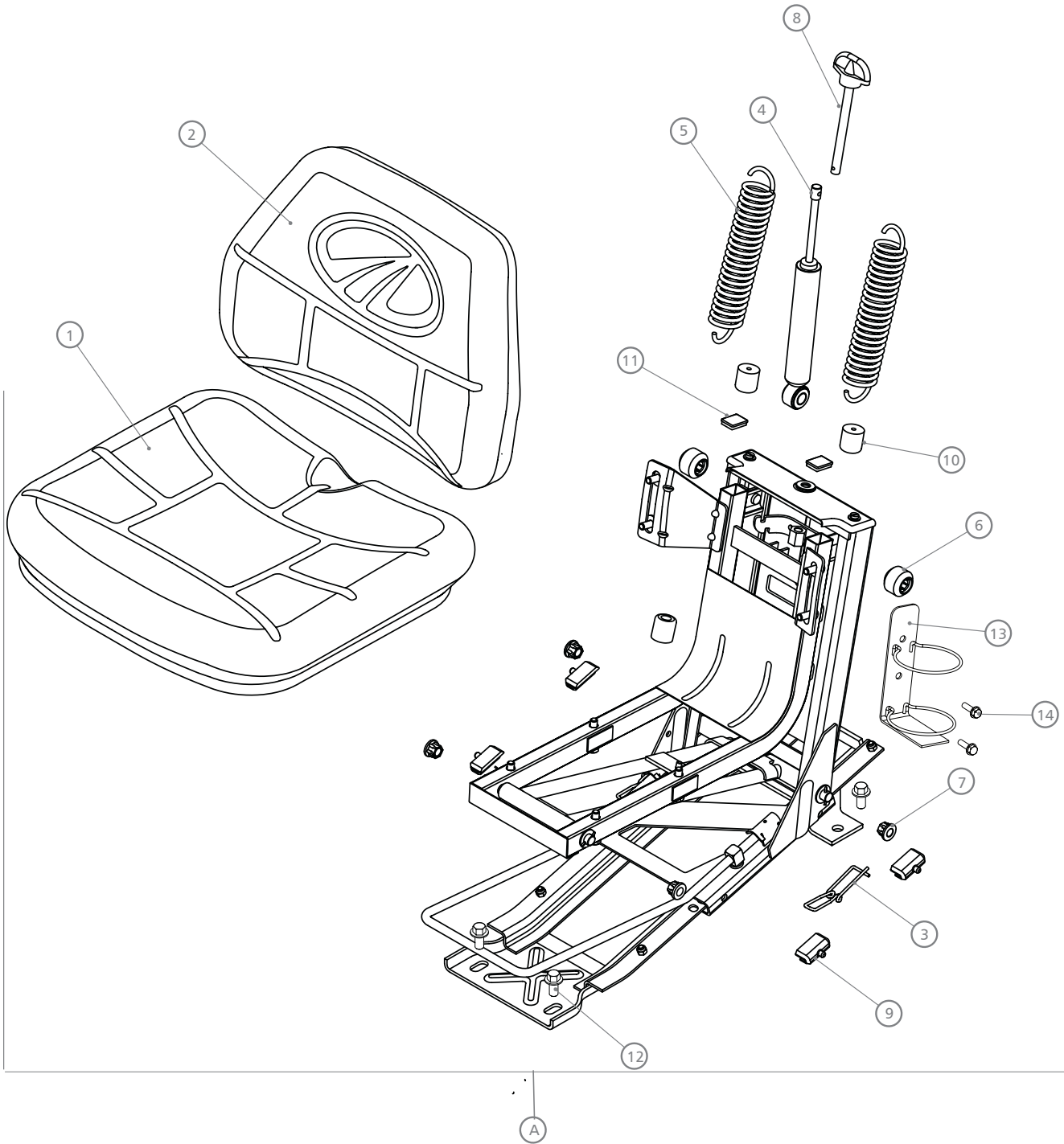
SCUTTLE ASSY



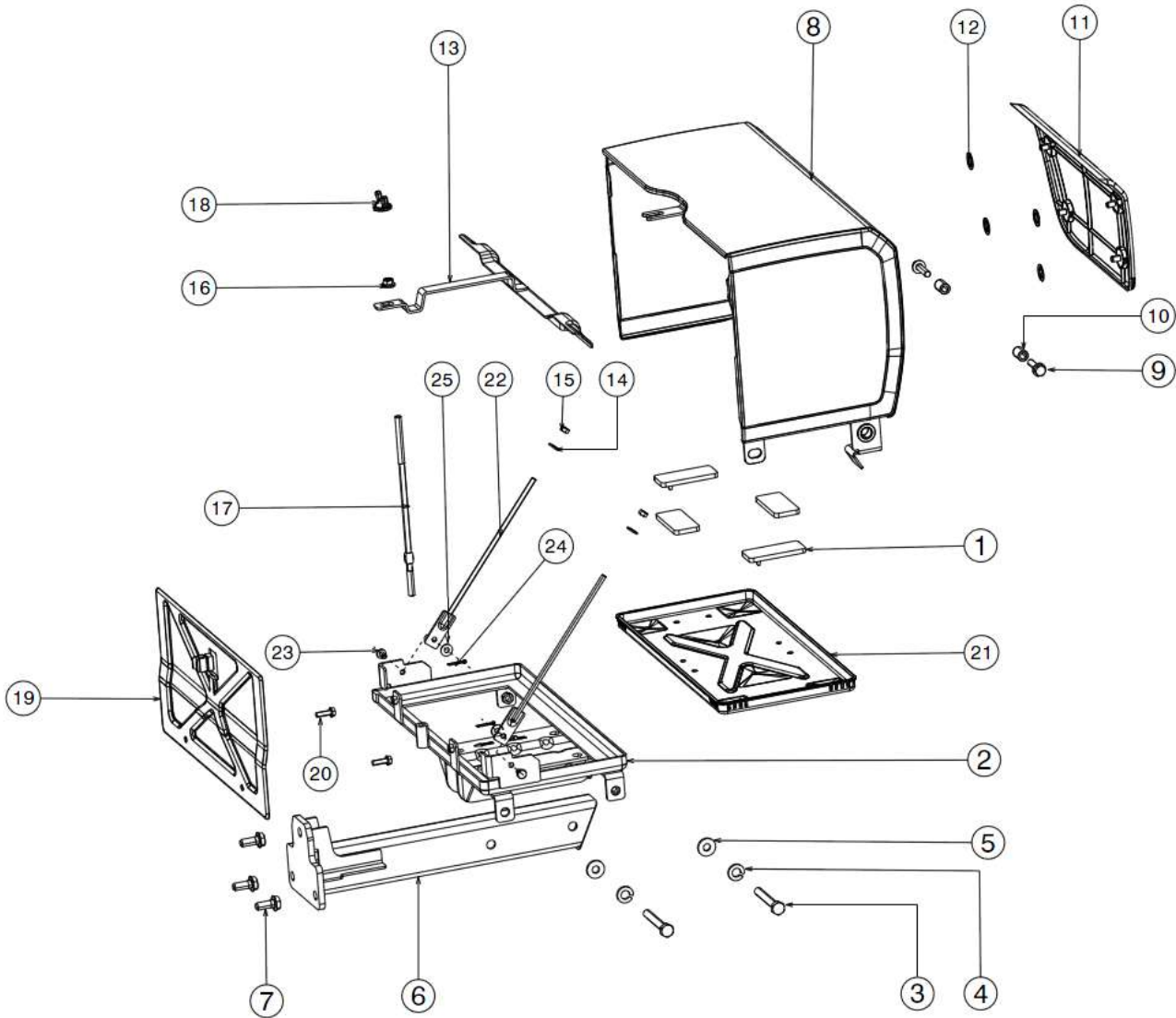
FLOOR PANEL ASSY



SEAT ASSY



BATTERY TRAY SUPPORT ASSY

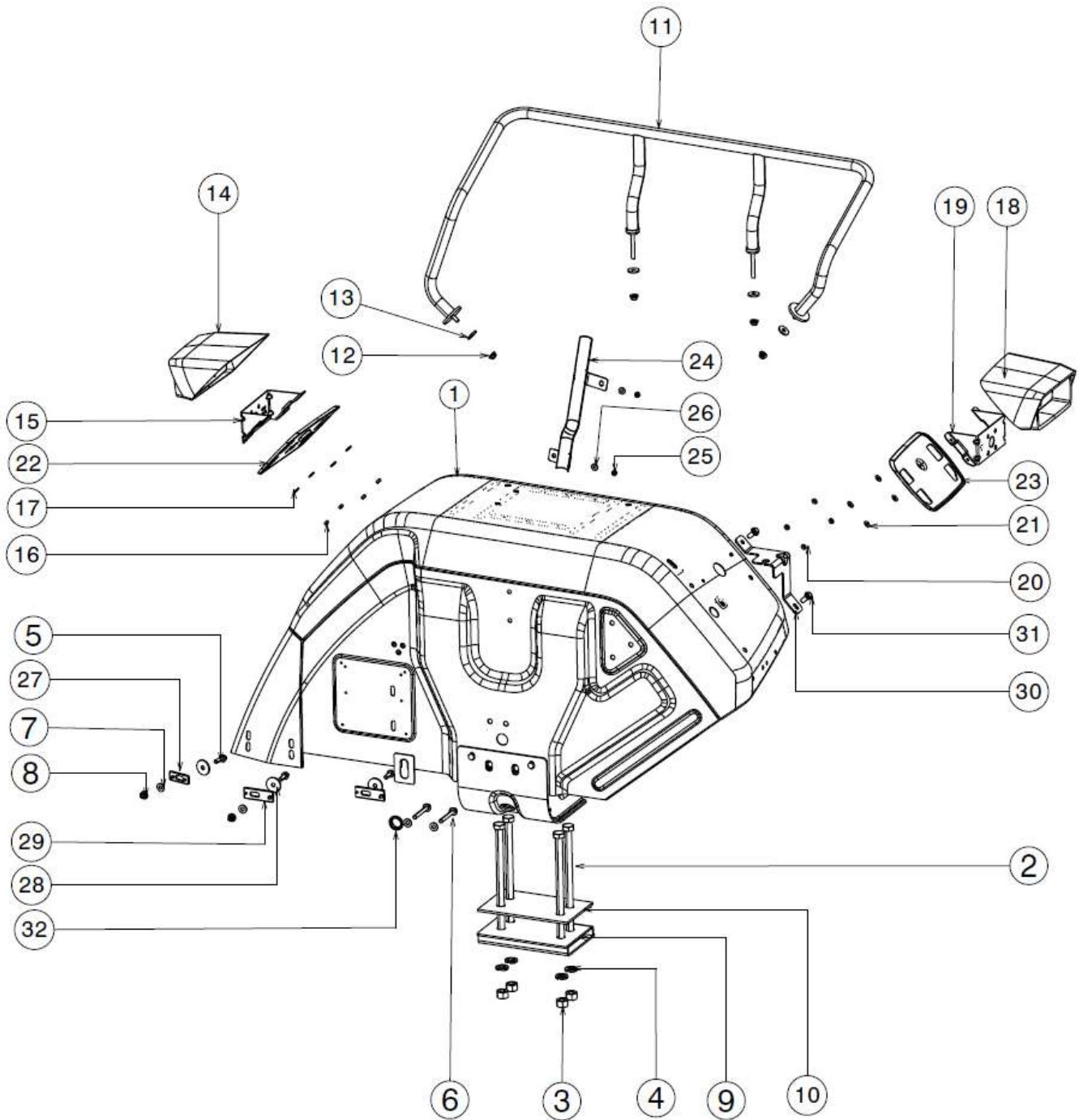


BATTERY TRAY SUPPORT ASSY

M&M Part Number	Ref.	Description of Part	Quantity		Remarks / Service Bulletin No.
			3DI	4DI	
007542555V1	1	BATTERY PAD RUBBER	4	4	
007542793V91	2	BATTERY TRAY ASSEMBLY	1	1	
005553022R1	3	HEX. FLANGED BOLT (M10 X75)	2	2	
005555988R1	4	WASHER M10 SPRING LOCK	2	2	
000030184R1	5	WASHER PLAIN 10MM X 24MM X3MM	2	2	
007542794V91	6	BATTERY TRAY SUPPORT ASSY	1	1	
000020313E05	7	FLANGED BOLT M10X25	3	3	
007543523V91	8	BATTERY COVER ASSEMBLY	1	1	
000020253E05	9	BOLT HEXFL M8 X1.25X35.5X8.8	2	2	
007541940C1	10	PIVOT SLEEVE BATTERY	2	2	
007543493V91	11	BATTERY COVER ADDON	1	1	
007538856C1	12	SPRING LOCK WASHER	1	1	
007543554V91	13	BATTERY CLAMP ASSY	2	2	
007515212D1	14	WASHER PLAIN M6X15X1.5	2	2	
001233807R1	15	NUT M 6 X 1 HEX ZNC PLTD	1	1	
000020777E05	16	NUT HEX FL M8X1.25X8.7X8	2	2	
007541940C1	17	BATTERY HOLDING STUD	1	1	
007542778C2	18	WING NUT	1	1	
007541431C2	19	MUD GUARD PLATE ASM	1	1	
007541923C91	20	M6X16.5 FLANGE HEX BOLT	2	2	
007541431C2	21	BATTERY TRAY PLASTIC	1	1	
007544660V91	22	BATTERY CLAMP STUD ASSY	2	2	
007544549V1	23	HINGE PIN	2	2	
000103373	24	PIN COTTER G2.38125X19.05	2	2	
005555955R1	25	PLAIN WASHER G6.502x16.002x1.016	2	2	

* Parts Not Illustrated / ‡ Not Serviceable Separately / ◆ Alternate Part Number / A/R As Required

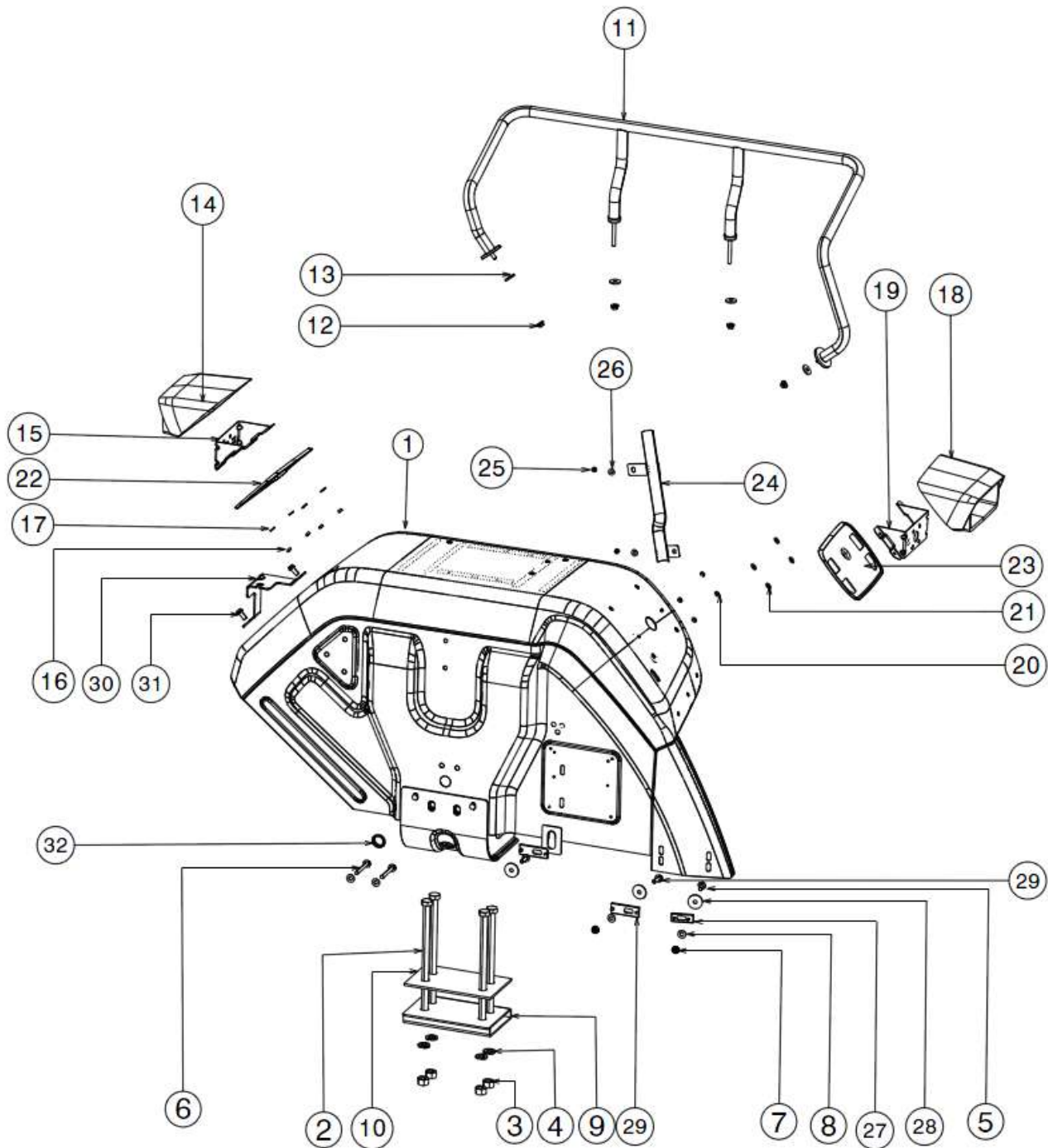
FENDER RH ASSY



FENDER RH ASSY

M&M Part Number	Ref.	Description of Part	Quantity		Remarks / Service Bulletin No.
			3DI	4DI	
007532088V91	1	FENDER ASSY RH	1	1	
007542631V1	2	FENDER MTG BOLT M16X275	4	4	
000012653P04	3	NUT HEX M16X2 GR 10	4	4	
005556521R1	4	WASHER SPRING L M16X27.4X3.5	4	4	
000020309E05	5	FLANGE HEX HEAD BOLT M8X1.25X25	3	3	
000020258E05	6	BOLT HEXFL M8X1.25X65.7X8.8	2	2	
007535860D1	7	PLAIN WASHER M8	3	3	
000020777E05	8	FLANGE NUT M8	2	2	
007542501V91	9	SPACER ASSEMBLY	1	1	
007542533V1	10	FENDER MOUNTING PAD (BALLATA)	1	1	
007543984V91	11	FENDER SEAT ASSEMBLY RH	1	1	
000020777E05	12	FLANGE NUT M8	4	4	
000020739E05	13	WASHER PLAIN G8.5X25X3	4	4	
007543478V1	14	PNT LAMP COVER LH	1	1	
007543462V91	15	PNT LAMP MGT BKT ASSY LH	1	1	
001233807R1	16	HEX NUT M6	4	4	
007515212D1	17	WASHER PLAIN M6X15X1.5	4	4	
007543479V1	18	PNT LAMP COVER RH	1	1	
007543474V91	19	PNT LAMP MGT BKT ASSY RH	1	1	
001233807R1	20	HEX NUT M6	4	4	
007515212D1	21	WASHER PLAIN M6X15X1.5	4	4	
007543482V1	22	PNT LAMP MTG RUBBER PAD LH	1	1	
007543483V1	23	PNT LAMP MTG RUBBER PAD RH	1	1	
007543736V91	24	CABLE ROUTING COVER ASSY RH	1	1	
001233807R1	25	M6 FLANGE HEX NUT	2	2	
007515212D1	26	PLAIN WASHER 6.5X15X1.5	2	2	
007544120V1	27	FLOOR MOUNTING RUBBER PAD FRONT	1	1	
E007538435D1	28	MUD SPLASH WASHER	3	3	
007543365V1	29	FRONT FLOOR RUBBER PAD	2	2	
007542638V1	30	PLOUGH LAMP MTG BKT LH	1	1	
000020307E05	31	HEX FLANGE BOLT M8 X 20	2	2	
007542100C1	32	GROMMET. FOR FENDER CABLE ROUTE	1	1	

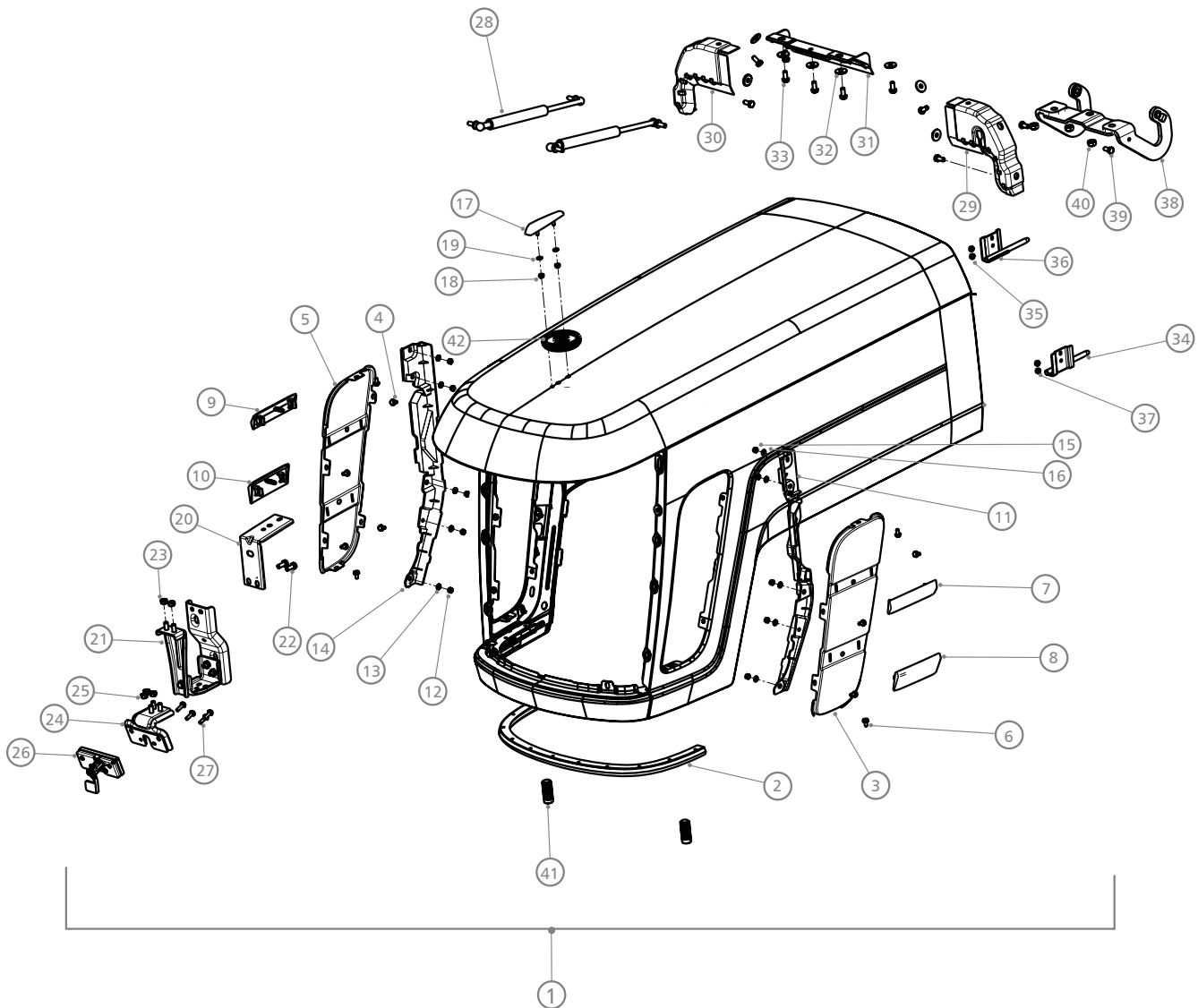
FENDER LH ASSY



M&M Part Number	Ref.	Description of Part	Quantity		Remarks / Service Bulletin No.
			3DI	4DI	
007532087V91	1	FENDER ASSY LH	1	1	
007542631V1	2	FENDER MTG BOLT M16X275	4	4	
000012653P04	3	NUT HEX M16X2 GR 10	4	4	
005556521R1	4	WASHER SPRING L M16X27.4X3.5	4	4	
000020309E05	5	FLANGE HEX HEAD BOLT M8X1.25X25	3	3	
000020258E05	6	BOLT HEXFL M8X1.25X65.7X8.8	2	2	
007535860D1	7	PLAIN WASHER M8	3	3	
000020777E05	8	FLANGE NUT M8	2	2	
007542501V91	9	SPACER ASSEMBLY	1	1	
007542533V1	10	FENDER MOUNTING PAD (BALLATA)	1	1	
007543990V91	11	FENDER SEAT ASSEMBLY LH	1	1	
000020777E05	12	FLANGE NUT M8	4	4	
000020739E05	13	WASHER PLAIN G8.5X25X3	4	4	
007543478V1	14	PNT LAMP COVER LH	1	1	
007543462V91	15	PNT LAMP MGT BKT ASSY LH	1	1	
001233807R1	16	HEX NUT M6	4	4	
007515212D1	17	WASHER PLAIN M6X15X1.5	4	4	
007543479V1	18	PNT LAMP COVER RH	1	1	
007543474V91	19	PNT LAMP MGT BKT ASSY RH	1	1	
001233807R1	20	HEX NUT M6	4	4	
007515212D1	21	WASHER PLAIN M6X15X1.5	4	4	
007543482V1	22	PNT LAMP MTG RUBBER PAD LH	1	1	
007543483V1	23	PNT LAMP MTG RUBBER PAD RH	1	1	
007532200V91	24	CABLE ROUTING COVER ASSY LH	1	1	
001233807R1	25	M6 FLANGE HEX NUT	2	2	
007515212D1	26	PLAIN WASHER 6.5X15X1.5	2	2	
007544120V1	27	FLOOR MOUNTING RUBBER PAD FRONT	1	1	
E007538435D1	28	MUD SPLASH WASHER	3	3	
007543365V1	29	FRONT FLOOR RUBBER PAD	2	2	
007544120V1	27	FLOOR MOUNTING RUBBER PAD FRONT	1	1	
E007538435D1	28	MUD SPLASH WASHER	3	3	
007543365V1	29	FRONT FLOOR RUBBER PAD	2	2	
007542638V1	30	PLOUGH LAMP MTG BKT LH	1	1	
000020307E05	31	HEX FLANGE BOLT M8 X 20	2	2	
007542100C1	32	GROMMET. FOR FENDER CABLE ROUTE	1	1	

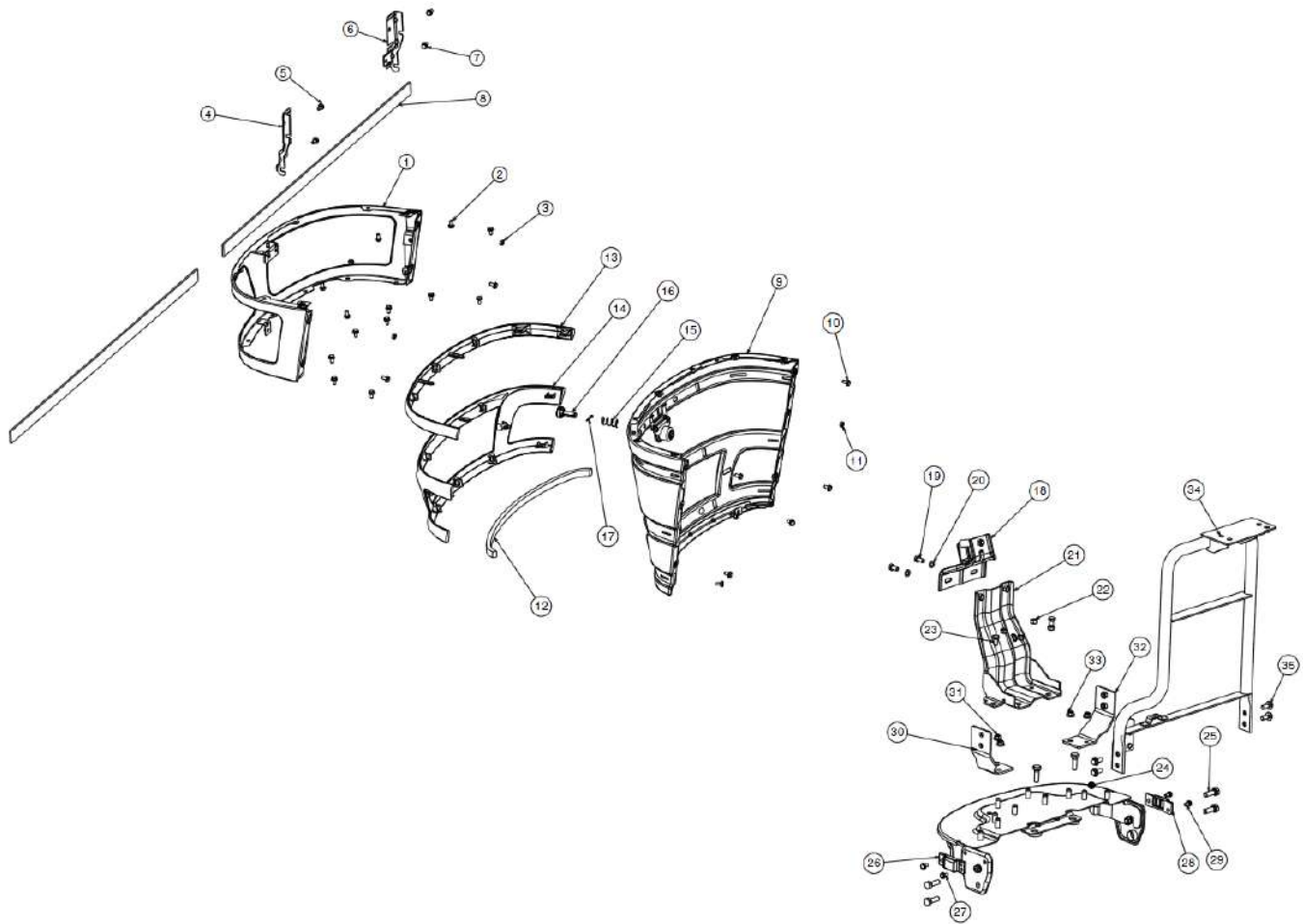
* Parts Not Illustrated / ‡ Not Serviceable Separately / ◆ Alternate Part Number / A/R As Required

HOOD ASSY



M&M Part Number	Ref.	Description of Part	Quantity		Remarks / Service Bulletin No.
			3DI	4DI	
007501706V91	1	HOOD ASSLY COMPLETE - 4DI	--	1	
007501661V91	1	HOOD ASSLY COMPLETE - 3DI	1	--	
007542578V1	2	RUBBER BEADING BONNET FRONT	1	1	
007543162V1	3	SIDE GRILL LH	1	1	
000020797E05	4	M6X 12 FLANGE HEX BOLT	6	6	
007543163V1	5	SIDE GRILL RH	1	1	
000020797E05	6	M6X 12 FLANGE HEX BOLT	6	6	
007501898V1	7	SIDE GRILLE ADDON LH-TOP	1	1	
007501899V1	8	SIDE GRILLE ADDON LH- BOTTOM	1	1	
007501900V1	9	SIDE GRILLE ADDON RH-TOP	1	1	
007501901V1	10	SIDE GRILLE ADDON RH- BOTTOM	1	1	
007542579V1	11	RADIATOR SIDE SEALING LH	1	1	
001233807R1	12	M6 FLANGE HEX NUT	5	5	
000060685M01	13	PLAIN WASHER M-6	5	5	
007542580V1	14	RADIATOR SIDE SEALING RH	1	1	
001233807R1	15	M6 FLANGE HEX NUT	5	5	
000060685M01	16	PLAIN WASHER M-6	5	5	
007501588C2	17	MASCOT	1	1	
001233807R1	18	M6 FLANGE HEX NUT	2	2	
007515212D1	19	PLAIN WASHER 6.5X15X1.5	2	2	
007544406V1	20	HOOD TOP PANEL SUPPORT BKT	1	1	
007544412V91	21	HOOD LATCH MTG BKT ASSLY	1	1	
000020777E05	22	M8 FLANGE HEX NUT	2	2	
000020307E05	23	HEX FLANGE BOLT M8 X 20	2	2	
007543348V91	24	LATCH MTG BKT ASSY	1	1	
000020777E05	25	M8 FLANGE HEX NUT	3	3	
007501831V91	26	HOOD LATCH ASSY	1	1	
000020312E05	27	M6X 20 FLANGE HEX BOLT	4	4	
007542502V91	28	ASSEMBLY GAS- SPRING-4DI	2	2	
007515765V1	29	RUBBER SEALING FUEL TANK -LH	1	1	
007515766V1	30	RUBBER SEALING FUEL TANK - RH	1	1	
007543550V1	31	RUBBER SEALING - FUEL TANK MID	1	1	
000020739E05	32	WASHER PLAIN G8.5X25X3	9	9	
000012190P04	33	M8X18 FLANGE HEX BOLT	9	9	
007501814V91	34	HOOD REAR GUIDING LOCATOR ASSY LH	1	1	
001233807R1	35	M6 FLANGE HEX NUT	2	2	
007501813V91	36	HOOD REAR GUIDING LOCATOR ASSY RH	1	1	
001233807R1	37	M6 FLANGE HEX NUT	2	2	
007515626V91	38	MOVING HINGE ASSY	1	1	
000020307E05	39	BOLT HEX M8X1.25X16X8.8	2	2	
006003914H1	40	FLANGE HEX NUT M10	3	3	
007501624C1	41	RUBBER STOPPER BONNET	2	2	
001233808R1	42	WASHER SPRING L M6X11.6X1.6	2	2	

FRONT GRILL ASSEMBLY

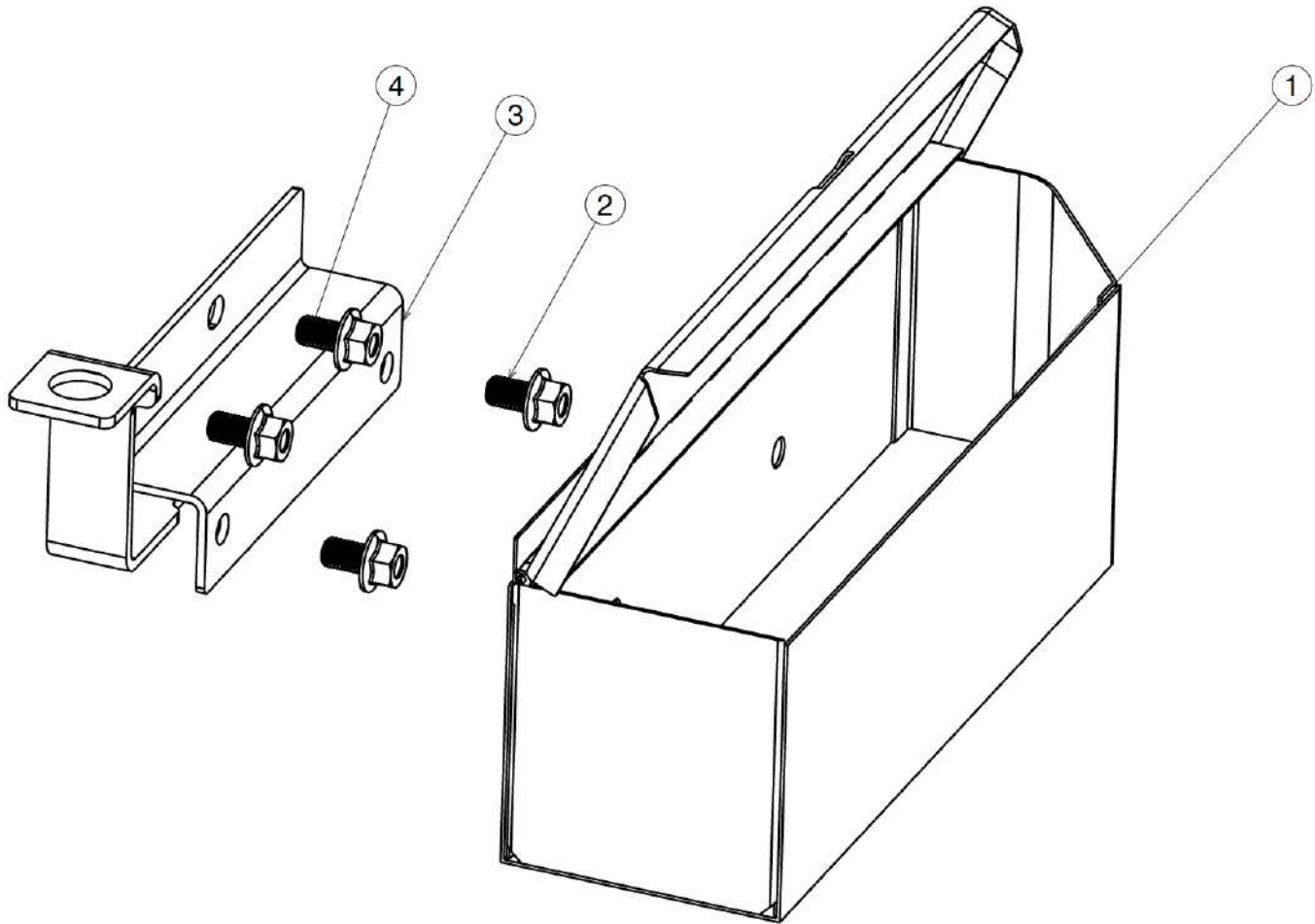


FRONT GRILL ASSEMBLY

M&M Part Number	Ref.	Description of Part	Quantity		Remarks / Service Bulletin No.
			3DI	4DI	
007502004V91	1	TOP FRONT GRILL BEZEL ASSLY	1	1	
000020797E05	2	M6X 12 FLANGE HEX BOLT	15	15	
007515212D1	2.1	WASHER PLAIN h6X15X1.5	3	3	
001233807R1	3	M6 FLANGE HEX NUT	3	3	
007501843V1	4	HEADLAMP MTG BKT SIDE LH	1	1	
000020797E05	5	M6X 12 FLANGE HEX BOLT	2	2	
007501844V1	6	HEADLAMP MTG BKT SIDE RH	1	1	
000020797E05	7	M6X 12 FLANGE HEX BOLT	2	2	
007544554V1	8	HEADLAMP FOAM BEADING	2	2	
007501997V91	9	FRONT GRILL ASSY	1	1	
000020797E05	10	M6X 12 FLANGE HEX BOLT	6	6	
007515212D1		WASHER PLAIN h6X15X1.5	3	3	
001233807R1	11	M6 FLANGE HEX NUT	2	2	
007543401V1	12	FRONT GRILL BOTTOM FOAM	1	1	
007501896V1	13	FRONT GRILLE ADDON - TOP	1	1	
007501897V1	14	FRONT GRILLE ADDON - BOTTOM	1	1	
007501820V1	15	SPRING FOR PLUNGER ASSY	1	1	
007543392V91	16	PLUNGER ASSEMBLY	1	1	
000103373	17	PIN COTTER 3/32 X 3/4 ZINC PLATED	1	1	
007543393V91	18	LATCH PIN MTG BKT ASSLY	1	1	
000020307E05	19	BOLT HEXFL M8X1.25X17.5X8.8	2	2	
000934309R1	20	SPRING WASHER M8	2	2	
007542854V91	21	LATCH MTG SUPPORT BKT ASSY	1	1	
000020777E05	22	FLANGE HEX NUT M8	4	4	
000020308E05	23	BOLT HEX M8X1.25X16X8.8	2	2	
007543480V91	24	FRONT PANEL BOTTOM WELDED ASSY 4DI	--	1	
007543444V91	24	FRONT PANEL BOTTOM WELDED ASSLY 3DI	1	--	
000020313E05	25	HEX FLANGE BOLT M10X30	6	6	
007501808V1	26	FRONT HOOD GUIDING PAD LH	1	1	
000020797E05	27	M6X 12 FLANGE HEX BOLT	2	2	
007501819V1	28	FRONT HOOD GUIDING PAD RH	1	1	
000020797E05	29	M6X 12 FLANGE HEX BOLT	2	2	
007545672V91	30	PRE CLEANER BOTTOM MTG BRKT ASSY LH	1	1	
000020777E05	31	NUT HEX FL M8X1.25X8.7X8	2	2	
007545673V91	32	PRE CLEANER BOTTOM MTG BRKT ASSY RH	1	1	
000020777E05	33	NUT HEX FL M8X1.25X8.7X8	2	2	
007545276V91	34	PRE CLEANER MTG BRKT ASSY	1	1	
000020307E05	35	BOLT HEXFL M8X1.25X20X8.8	4	4	

* Parts Not Illustrated / ‡ Not Serviceable Separately / ◆ Alternate Part Number / A/R As Required

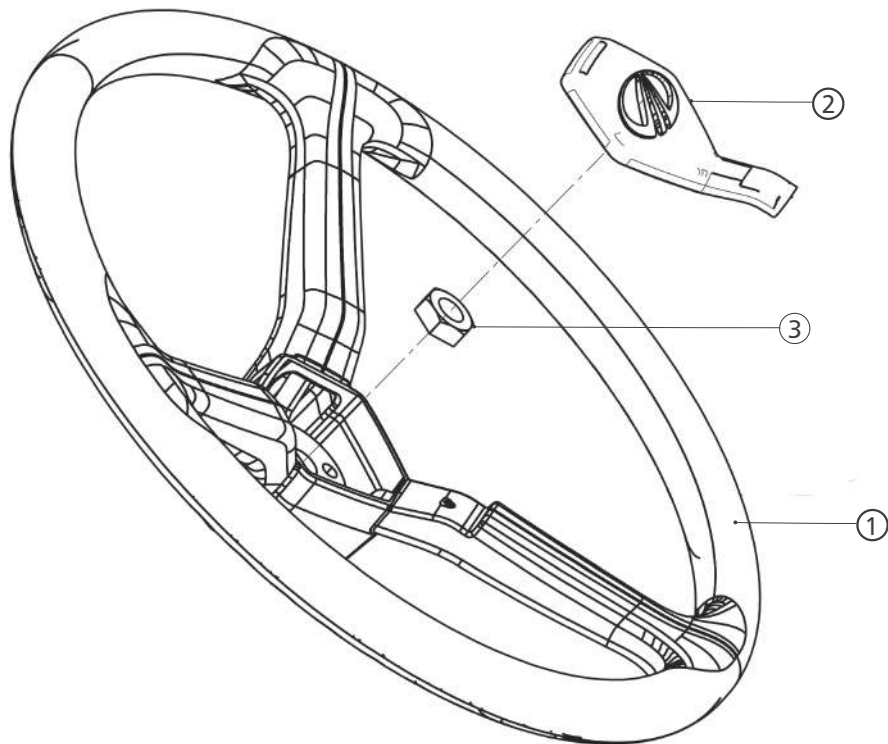
TOOL BOX ASSY



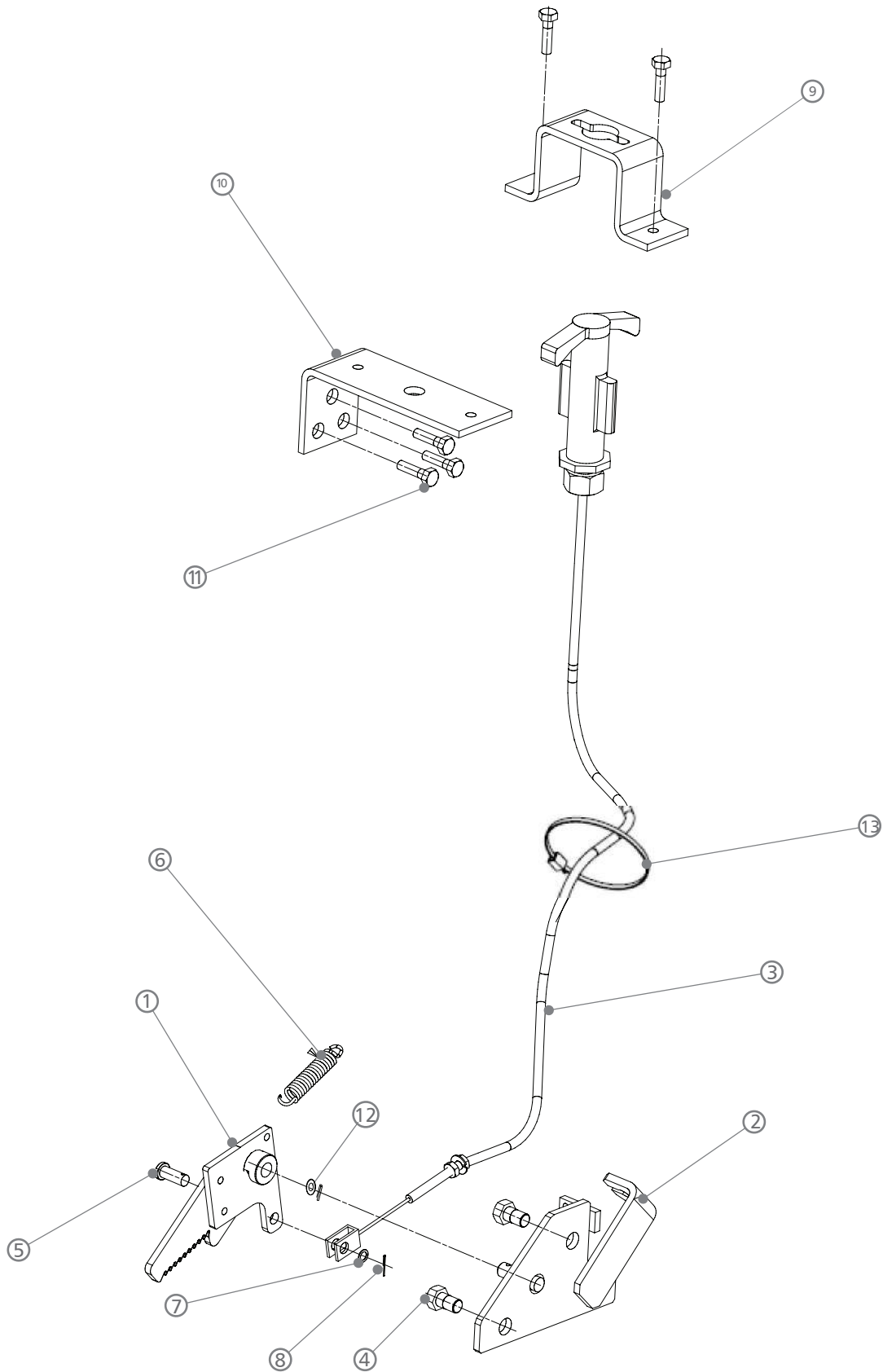
M&M Part Number	Ref.	Description of Part	Quantity		Remarks / Service Bulletin No.
			3DI	4DI	
001127315R96	1	TOOL BOX CPT-UNPAINTED	1	1	
000020309E05	2	FLANGE HEX HEAD BOLT M8X1.25X25	2	2	
007636445V91	3	TOOL BOX MTG BKT ASSY	1	1	
000020324E05	4	FLANGED BOLT M10X16	2	2	

* Parts Not Illustrated / ‡ Not Serviceable Separately / ◆ Alternate Part Number / A/R As Required

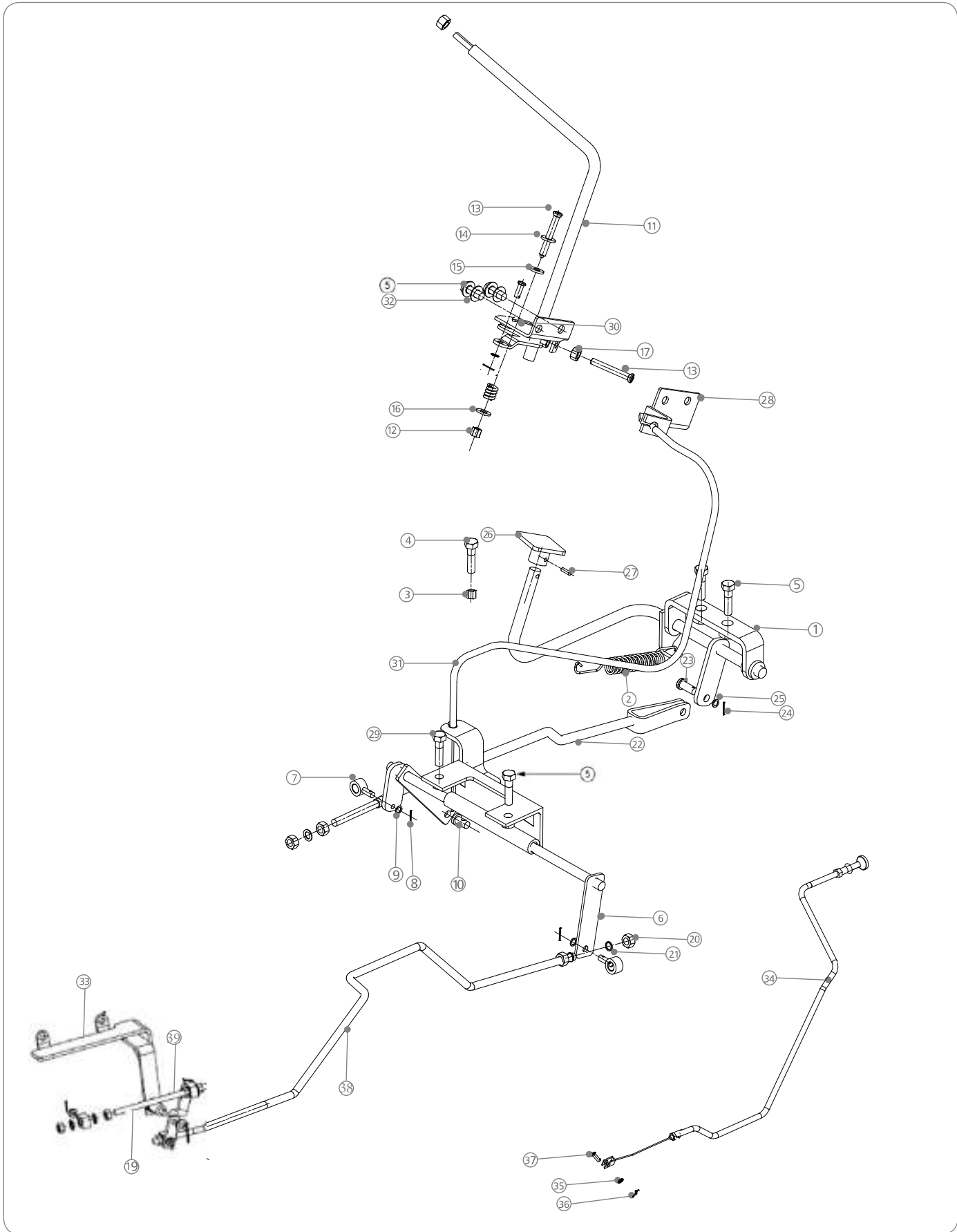
STEERING WHEEL



HAND BRAKE ASSEMBLY

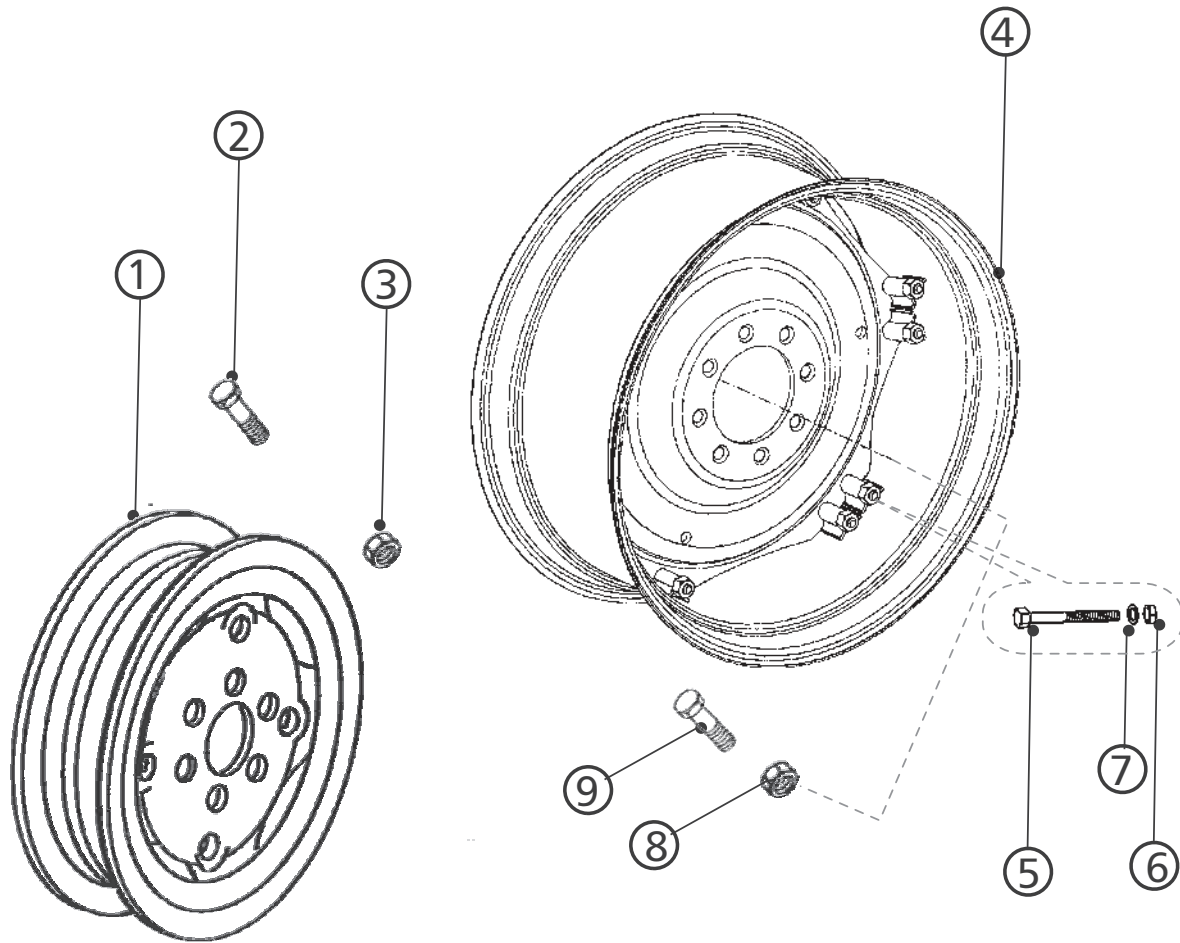


FOOT AND HAND ACCELERATOR

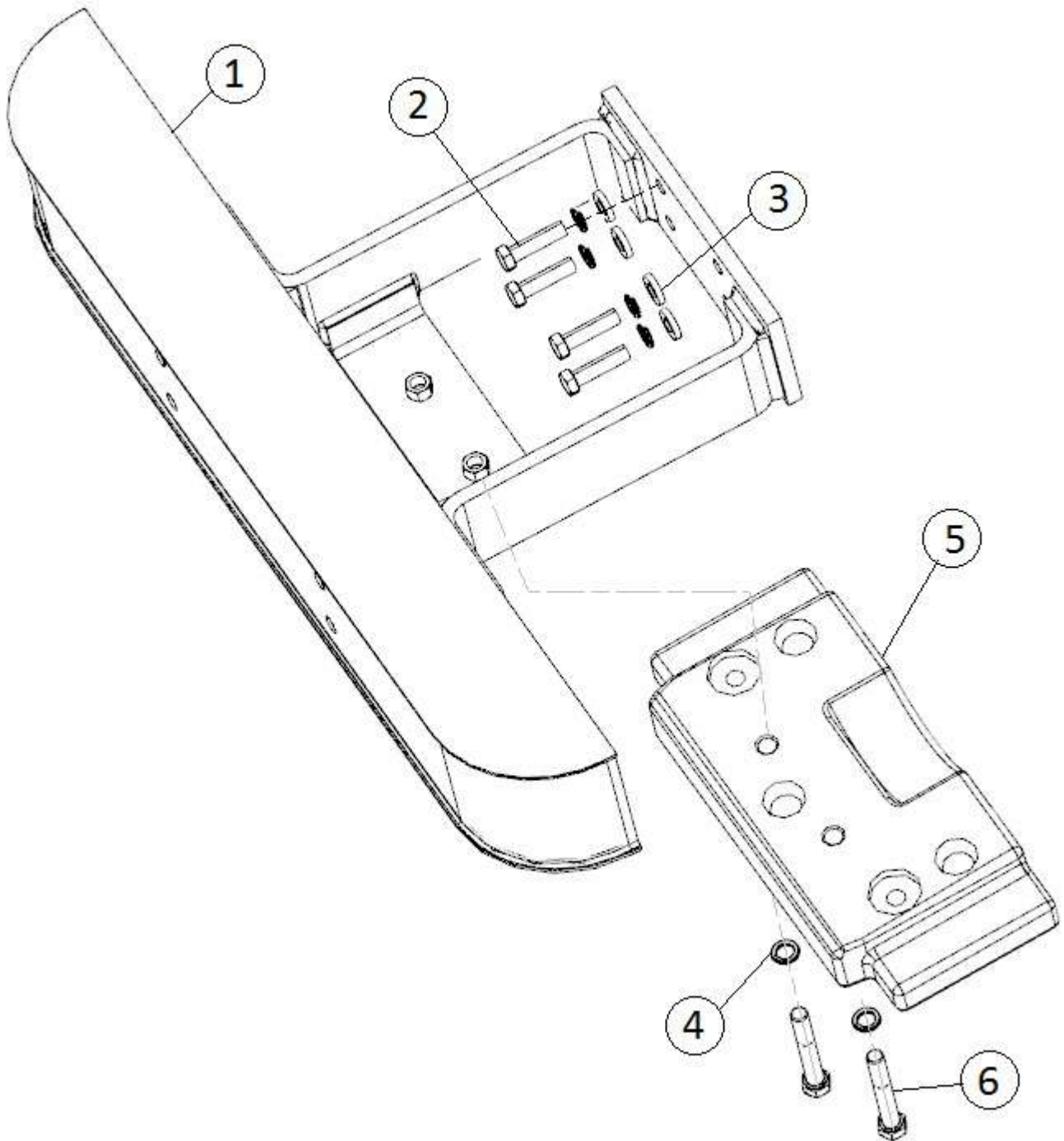


FOOT AND HAND ACCELERATOR

M&M Part Number	Ref.	Description of Part	Quantity		Remarks / Service Bulletin No.
			3DI	4DI	
007608491V91	1	FOOT PEDAL ASSEMBLY	1	1	
007600461R1	2	SPRING FOR FOOT ACCELERATOR	1	1	
005553017R1	3	NUT M8 X 1.25 (FOR STOPPER)	1	1	
006009061B1	4	M8X1.25 BOLT(FOR STOPPER)	1	1	
000020307E05	5	M8 BOLT	6	6	
007608577V91	6	GOVERNOR CONTROL CROSS SHAFT ASSEMBLY	1	1	
007610463V1	7	Z LINK MOUNTING PIN	5	5	
000103361	8	PIN COTTER 3/32 X 3/4	6	6	
000060685M01	9	PLAIN WASHER	11	11	
007610464V1	10	CABLE MOUNTING PIN	1	1	
007608450V91	11	HAND ACCELERATOR CPTE	1	1	
001121174R1	12	NYLOC NUT	1	1	
000225507	13	SCREW G 6.35MM X 44.45MM	2	2	
003047325R1	14	WASHER	2	2	
000704681R2	15	WASHER GOV CONTROL FRICTION	2	2	
003047323R1	16	SPRING GOVERNOR	1	1	
000114492	17	M4 NUT	2	2	
006008883B1	18	HAND ACCELERATOR MTG BOLT	2	2	
007610865V1	19	GOVERNOR CONTROL ROD 4DI	-	1	
007610917V1	19	GOVERNOR CONTROL ROD 3DI	1	-	
005553017R1	20	M8 NUT	12	12	
000114605	21	WASHER G 7.938MM TOOTH LOCK	10	10	
007608601V11	22	CONTROL ROD ASSY LH	1	1	
000039374D	23	PIN CINTROL ROD	1	1	
000103373	24	PIN COTTER 1/16 X 1/2-H3	1	1	
000060686M01	25	WASHER PLAIN	1	1	
007609974V11	26	FOOT REST ASSY	1	1	
000017047R1	27	ROLL PIN	1	1	
007610455V11	28	CABLE MTG ASSY STEERING COLUMN	1	1	
007610462V1	29	CABLE MTG BRACKET	1	1	
000060724M01	30	PIN CABLE MTG MTG STEERING COLUMN	1	1	
007610467V91	31	CABLE HAND ACCELERATOR	1	1	
001082011R2	32	SPRING WASHER	2	2	
007611118V91	33	BRKT.-PULL TO STOP 4 DI EXPORT(NON ERGO)	1	1	
007610862V11	33	BRKT PULL TO STOP 3 DI	1		
005557674R97	34	PULL TO STOP CABLE	1	1	
000446161	35	Washer plain	1	1	
000103361	36	PIN COTTER 1/16 X 1/2-H3	1	1	
007610464V1	37	PIN CABLE	1	1	
007610864V1	38	GOVERNOR CONTROL ROD	1	1	
007610857V1	39	PLUNGER	1	1	
007700625B1	*	CABLETIE	1	1	



FRONT BUMPER

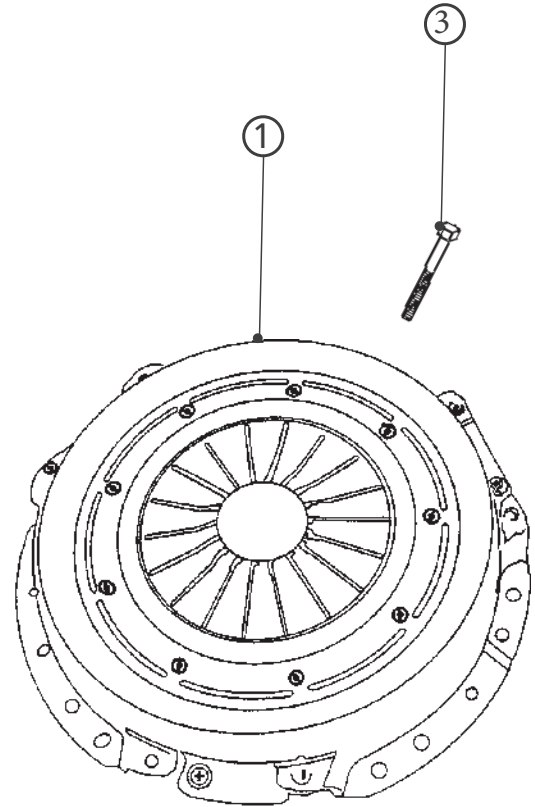
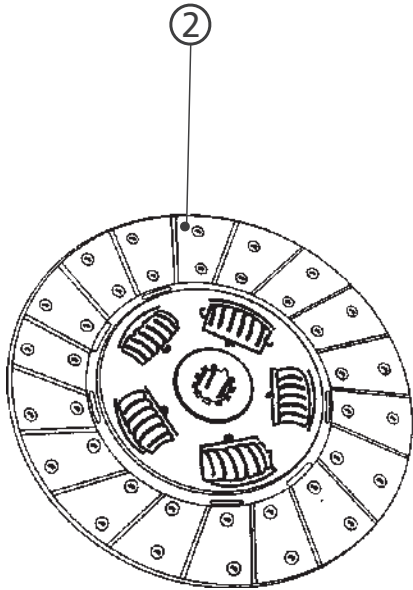


FARMER KIT

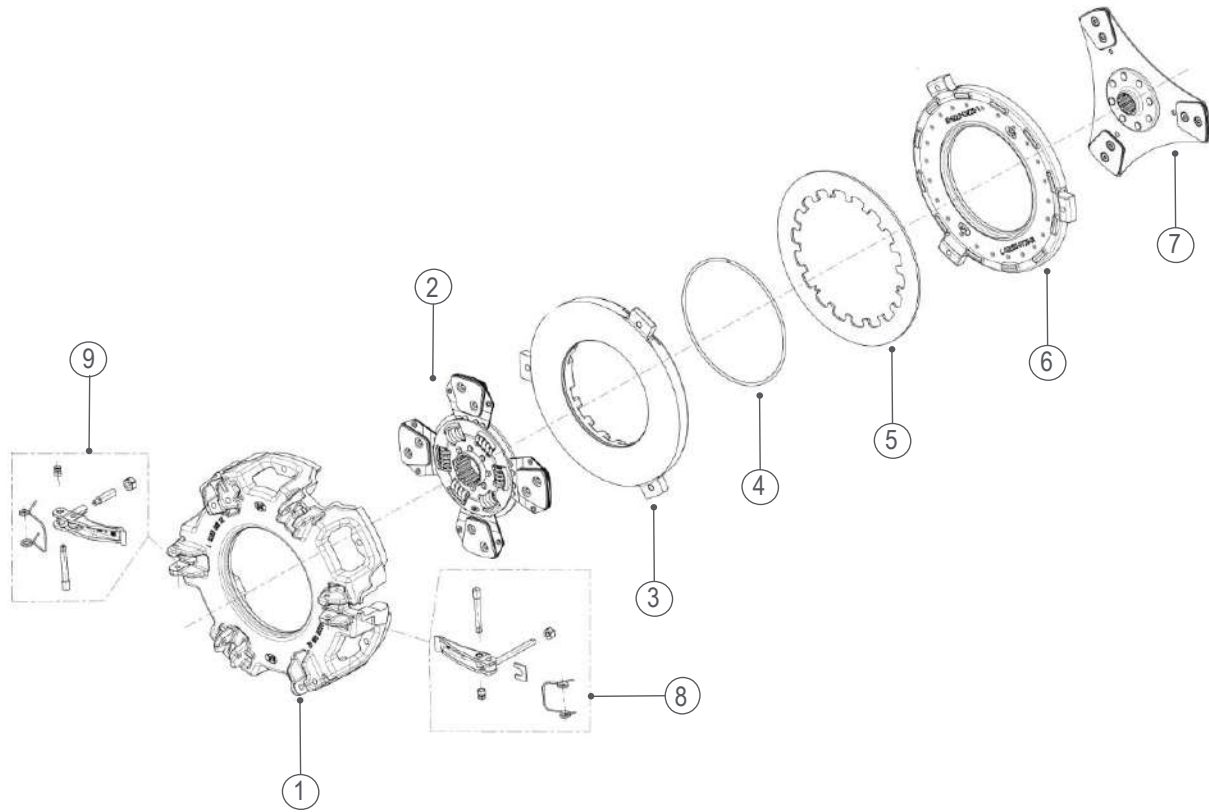
M&M Part Number	Ref.	Description of Part	Quantity	Remarks / Service Bulletin No.
MECHANICAL STEERING				
007607370B91		BAG FARMER KIT (Bigger Size)	1	
006020810V1		FILTER Fuel	2	
006000455F1		FILTER OUTER - For Dry Air Cleaner	1	
006016642V91		FILTER Assy Spin On for Engine	3	
000013427P04		FILTER SUCTION - Common Oil	3	
007200598C91		LYNCH PIN Assembly	2	
007700311D1		FUSE BLADE - 5A	3	
007703099V1		FUSE BLADE - 7.5 A	1	
000040697C99		FUSE BLADE - 10A	4	
000040883C99		FUSE BLADE - 15AMP	5	
005559028R91		FUSE BLADE - 20A	2	
007700310D1		FUSE BLADE - 25A	2	
007900076A2		GAUGE Tyre Pressure	1	
008004498B1		UTILITY POUCH(10.5 INCH X 8.5 INCH)	1	
007543616B1		MULTIPURPOSE BAG FOR SPARES	1	
POWER STEERING				
007607370B91		BAG FARMER KIT (Bigger Size)	1	
006020810V1		FILTER Fuel	2	
006000455F1		FILTER OUTER - For Dry Air Cleaner	1	
006016642V91		FILTER Assy Spin On for Engine	3	
007202702C1		FILTER SUCTION - Common Oil - for PS	3	
007200598C91		LYNCH PIN Assembly	2	
007700311D1		FUSE BLADE - 5A	3	
007703099V1		FUSE BLADE - 7.5 A	1	
000040697C99		FUSE BLADE - 10A	4	
000040883C99		FUSE BLADE - 15AMP	5	
005559028R91		FUSE BLADE - 20A	2	
007700310D1		FUSE BLADE - 25A	2	
007900076A2		GAUGE Tyre Pressure	1	
008004498B1		UTILITY POUCH(10.5 INCH X 8.5 INCH)	1	
007543616B1		MULTIPURPOSE BAG FOR SPARES	1	

TRANSMISSION

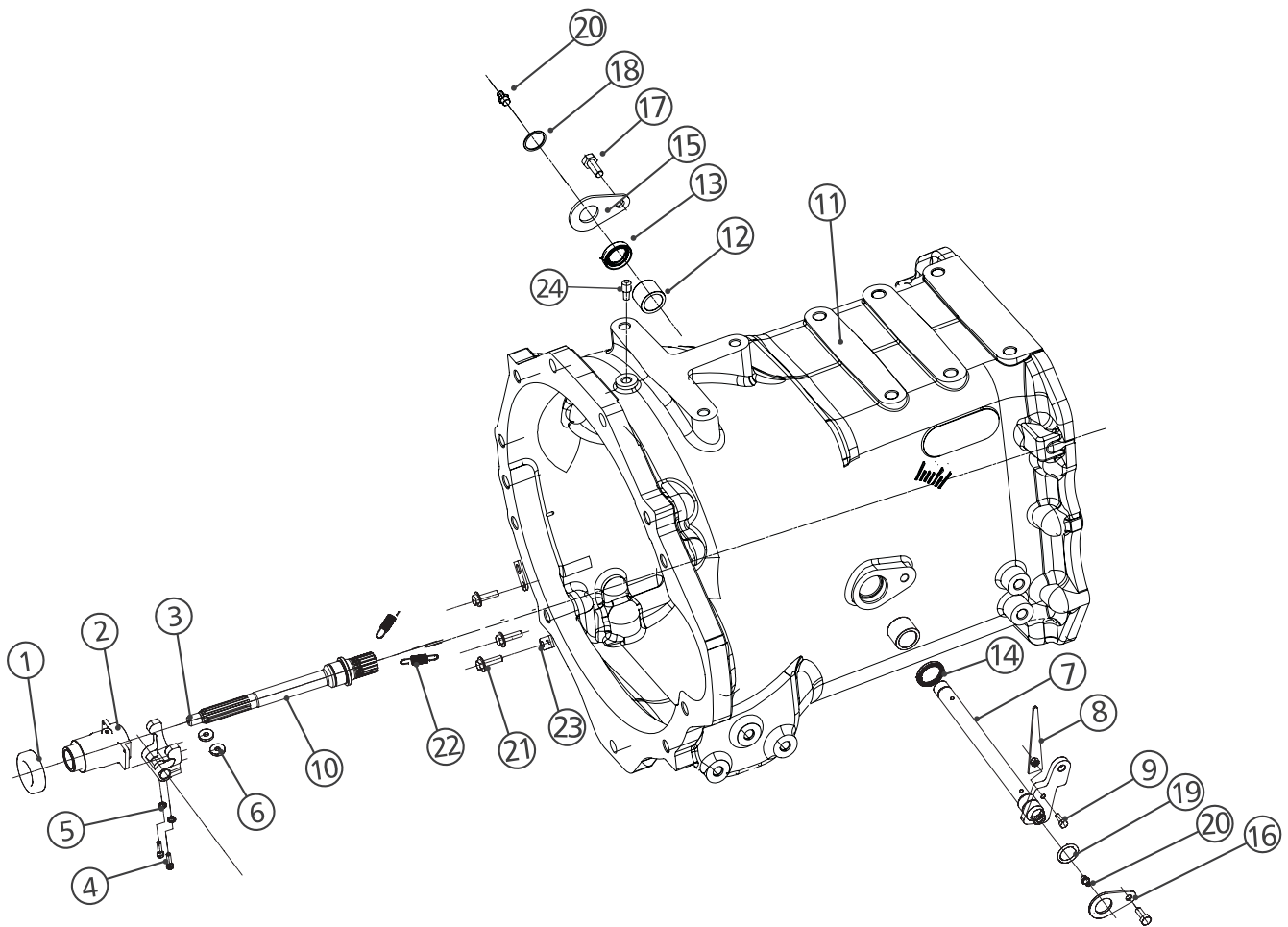
CLUTCH ASSEMBLY DIAPHRAGM



CLUTCH ASSEMBLY CRPTO/RCRPTO



CLUTCH HOUSING - Non RCRPTO

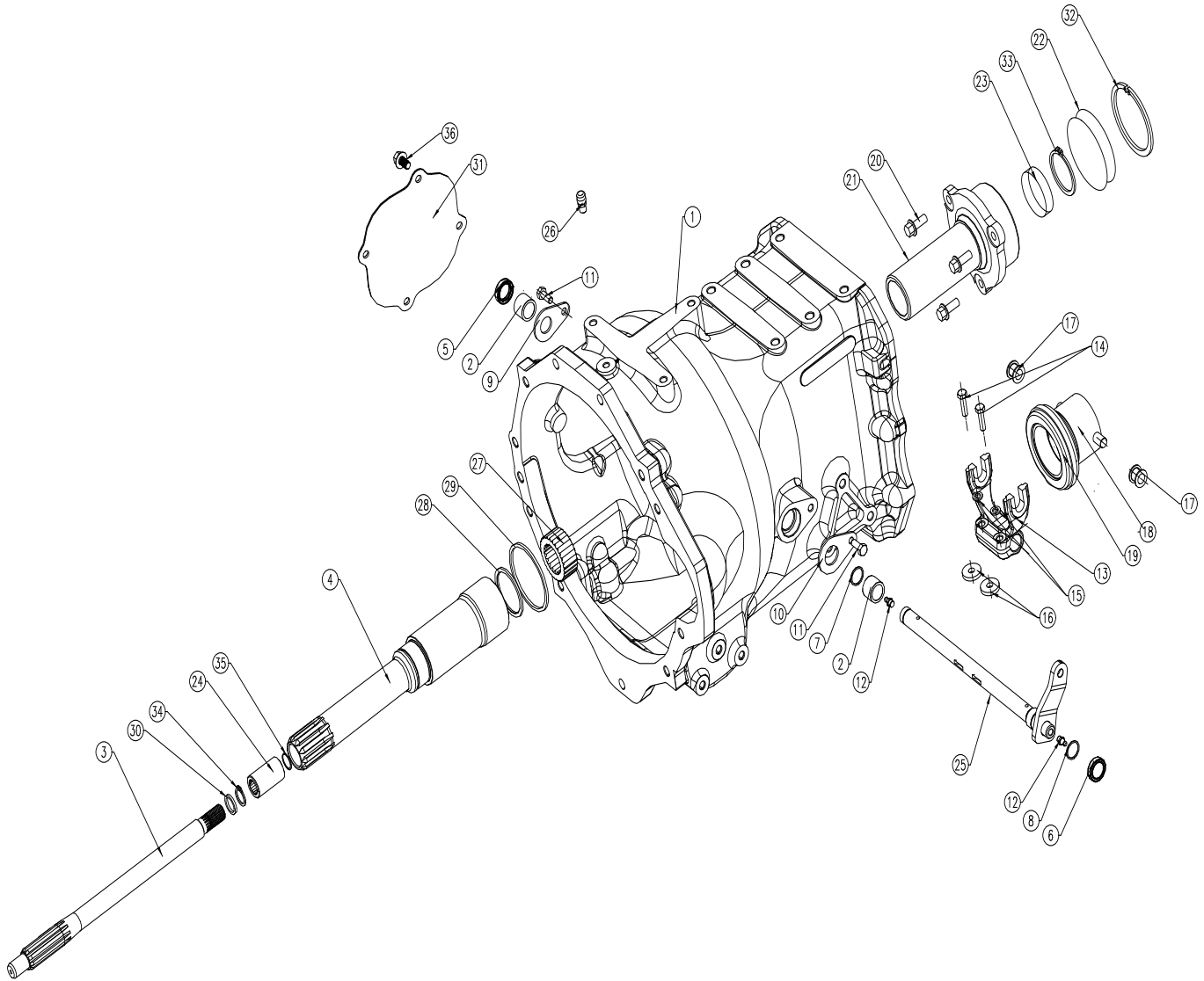


CLUTCH HOUSING - Non RCRPTO

M&M Part Number	Ref.	Description of Part	Quantity		Remarks / Service Bulletin No.
			3DI	4DI	
006501782R91	1	CLUTCH RELEASE BEARING	1	1	
006512971V1	2	SLEEVE CLUTCH RELEASE	1	1	
005553025R1	3	FORK	1	1	
000706732R1	4	BOLT CLUTCH RELEASE FORK	2	2	
001082011R2	5	WASHER SPRING LOCK	2	2	
003047229R4	6	SPACER CLUTCH RELEASE FORK	2	2	
006512972V91	7	CLUTCH SHAFT SUB-ASSY	1	1	
006513572V11	8	POINTER	1	1	
000020311E05	9	BOLT M6 X 1 X 16	1	1	
006510653V1	10	SHAFT MAIN DRIVE	1	1	
006510367V1	11	CLUTCH HOUSING	1	1	
006512932V1	12	BUSH CONTROL LEVER	2	2	
006511675V1	13	OIL SEAL DIFF LOCK	1	1	
000016211P04	14	OIL SEAL DIFF LOCK - BIGGER	1	1	
006513108V1	15	SPACER-RH SIDE	1	1	
006513515V1	16	SPACER-LH SIDE	1	1	
000020307E05	17	BOLT FLG HEADED M8 X 1.25 X 20	2	2	
001127629R2	18	CIRCLIP	1	1	
001121078R1	19	CIRCLIP EXT-LUG 25X1.2	1	1	
000012871P04	20	GREASE NIPPLE	2	2	
000020313E05	21	FLANGE HEX BOLT M10 X 15 X 25 - RETAINER	3	3	
006505300D1	22	SPRING RETURN NDC CLUTCH BEARING	2	2	
006502932D1	23	PLATE SPRING RETAINER	2	2	
005554657R91	24	AIR BREATHER	1	1	
006516305V1	*	LOCTITE 5188	1	1	

* Parts Not Illustrated / ‡ Not Serviceable Separately / ◆ Alternate Part Number / A/R As Required

CLUTCH HOUSING - RCRPTO



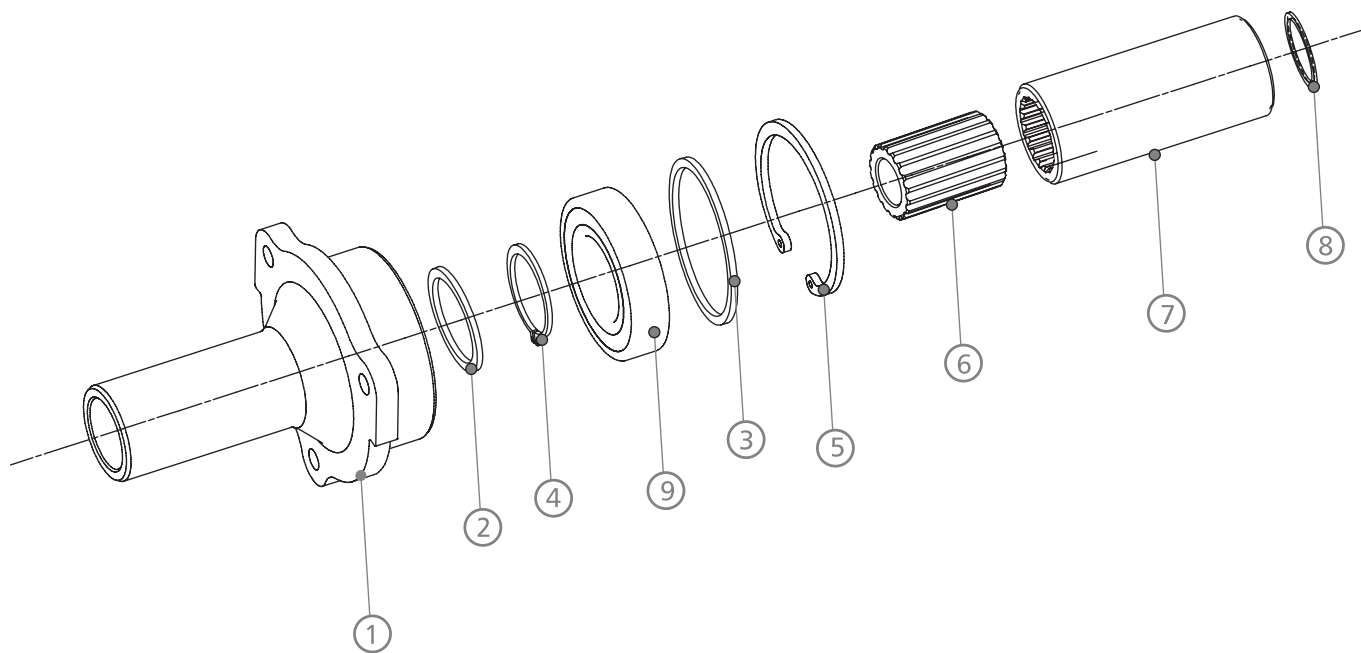
ra
Rise.

CLUTCH HOUSING - RCRPTO

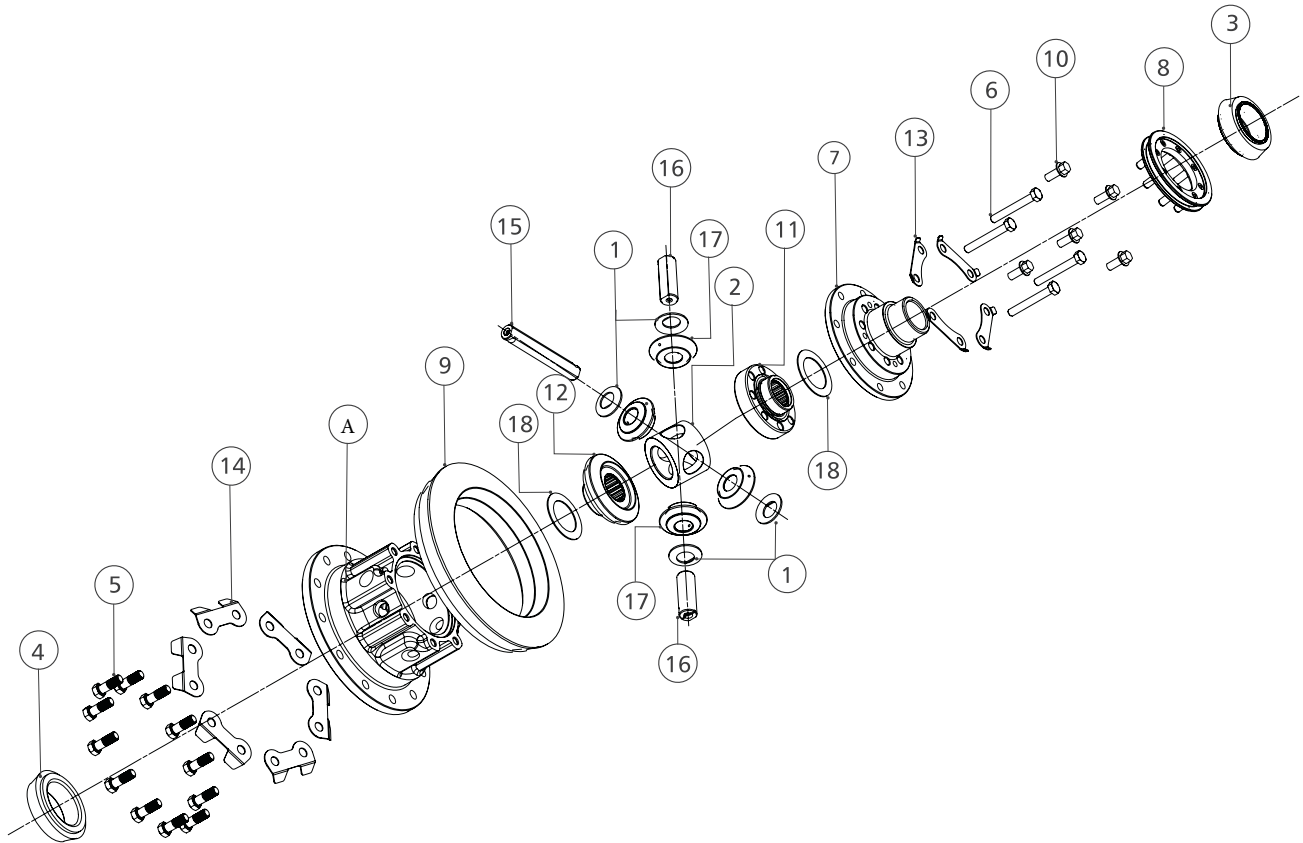
M&M Part Number	Ref.	Description of Part	Quantity		Remarks / Service Bulletin No.
			3DI	4DI	
006510471V1	1	CLUTCH HOUSING	1	1	
006512932V1	2	BUSH	2	2	
006512847V1	3	PTO MAIN DRIVE SHAFT	1	1	
006512848V1	4	HOLLOW DRIVE SHAFT	1	1	
000016211P04	5	OIL SEAL-RH SIDE / SMALLER	1	1	
006511675V1	6	OIL SEAL-LH SIDE / BIGGER	1	1	
001127629R2	7	CIRCLIP	1	1	
001121078R1	8	CIRCLIP	1	1	
006513108V1	9	SPACER DHRUV CLUTCH HOUSING-LH SIDE	1	1	
006513515V1	10	SPACER DHRUV CLUTCH HOUSING-RH SIDE	1	1	
000020307E05	11	BOLT CLUTCH RELEASE FORK	2	2	
000012871P04	12	GREASE NIPPLE	2	2	
003044005R5	13	FORK CLUTCH RELEASE	1	1	
000706732R1	14	BOLT CLUTCH RELEASE FORK	1	1	
001082011R2	15	WASHER SPRING LOCK	1	1	
003047229R3	16	KEY CLUTCH RELEASE	1	1	
003045088R3	17	INSERT CLUTCH RELEASE SLEEVE	2	2	
006502374B1	18	CLUTCH RELEASE SLEEVE	1	1	
005558288R92	19	CLUTCH RELEASE BEARING	1	1	
000020313E05	20	FLANGED BOLT M10X25	3	3	
006513528V1	21	RETAINER	1	1	
006514744V1	22	BEARING SEALED MAIN DRIVE SHAFT-6011	1	1	
006514745V1	23	SEALED BEARING PTO DRIVE SHAFT	1	1	
006513271V1	24	SOLID DRIVE SHAFT COUPLING CRPTO	1	1	
006513736V11	25	CLUTCH SHAFT ASSEMBLY	1	1	
005554657R91	26	BREATHER	1	1	
006513276V1	27	HUB CRPTO HOLLOW DRIVE SHAFT	1	1	
006513872V1	28	SPACER SHAFT DRIVE MAIN FRONT CRPTO	1	1	
006513876V1	29	SPACER SHAFT DRIVE MAIN REAR CRPTO	1	1	
006513529V1	30	SPACER PTO DRIVE SHAFT FRONT	1	1	
006513832V1	31	COVER PLATE CLUTCH HOUSING	1	1	
000012226P04	32	CIRCLIP INTERNAL 90	1	1	
000032604B12	33	CIRCLIP HOLLOW DRIVE SHAFT EXTERNAL 55	1	1	
006502942C1	34	CIRCLIP EXTERNAL 20	1	1	
006515665V1	35	V RING \varnothing 18x1	1	1	
000020324E05	36	BOLT FLANGED HEX HEAD M10X16	4	4	
006516305V1	*	LOCTITE 5188	1	1	

* Parts Not Illustrated / ‡ Not Serviceable Separately / ◆ Alternate Part Number / A/R As Required

RETAINER SUB ASSEMBLY



DIFFERENTIAL SUB ASSEMBLY

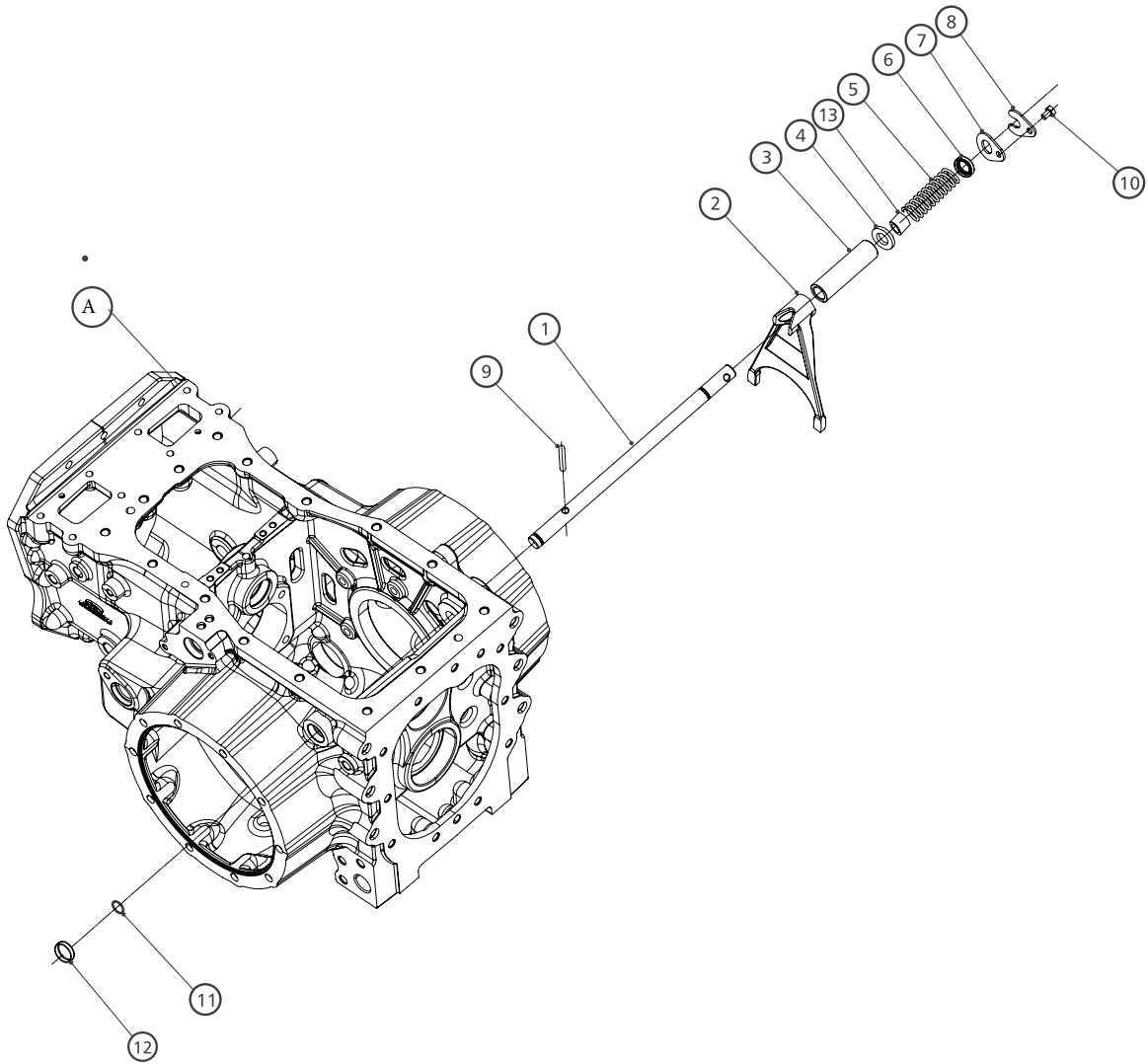


DIFFERENTIAL SUB ASSEMBLY

M&M Part Number	Ref.	Description of Part	Quantity		Remarks / Service Bulletin No.
			3DI	4DI	
006508366U1	1	THRUST WASHER DIFFERENTIAL PINION	4	4	
006510510V1	2	SUPPORT SPIDER DIFFERENTIAL	1	1	
006510602V1	3	BEARING TRB DIFF CASE -LH-INNER RACE	1	1	
006510603V1	4	BEARING TRB DIFF CASE -RH-INNER RACE	1	1	
006508412U1	5	BOLT RING GEAR DIFFERENTIAL CASE	12	12	
005553022R1	6	BOLT M10X1.5X75	4	4	
006511232V91	7	DIFFERENTIAL HOUSING ASSEMBLY	1	1	
‡	A	▶ CASE DIFFERENTIAL LH	1	1	
‡	A	▶ CASE DIFFERENTIAL RH	1	1	
006512301V11	8	COUPLING DIFFERENTIAL LOCK CPT	1	1	
‡	9	CROWN WHEEL-41T	1	1	
000012248P04	10	HEX BOLT M10X30	4	4	
006510690V1	11	GEAR SIDE BEVEL LH 18T	1	1	
006510691V1	12	GEAR SIDE BEVEL RH 18T	1	1	
006511247V1	13	LOCK PLATE DIFFERENTIAL CASE	4	4	
006512859U1	14	LOCK PLATE RING GEAR BOLT	6	6	
006510492V1	15	PIN DIFFERENTIAL LONGER	1	1	
006510493V1	16	PIN DIFFERENTIAL SHORTER	2	2	
006510629V1	17	PINION DIFFERENTIAL 10T	4	4	
006510494V1	18	THRUST WASHER SIDE BEVEL DIFFERENTIAL	2	2	

* Parts Not Illustrated / ‡ Not Serviceable Separately / ◆ Alternate Part Number / A/R As Required

DIFFERENTIAL LOCK SUB ASSEMBLY

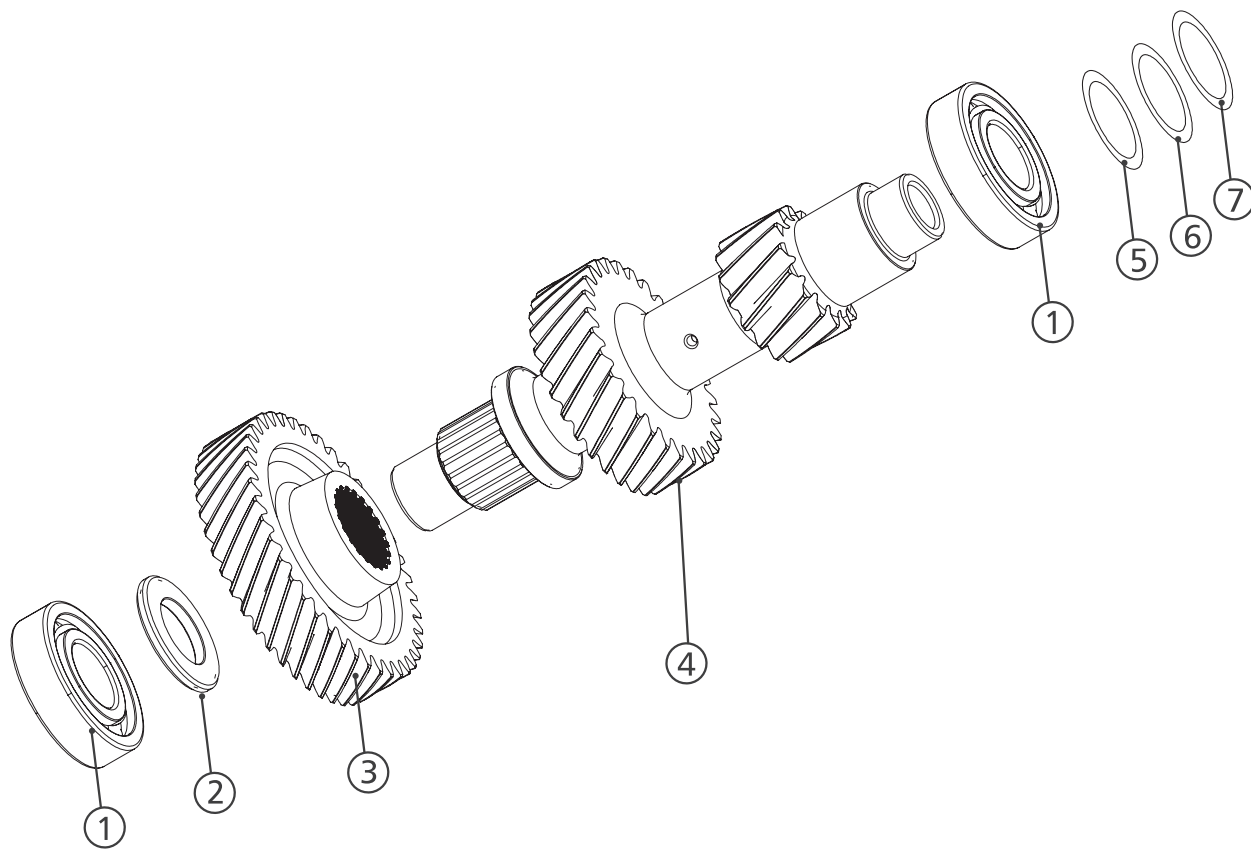


DIFFERENTIAL LOCK SUB ASSEMBLY

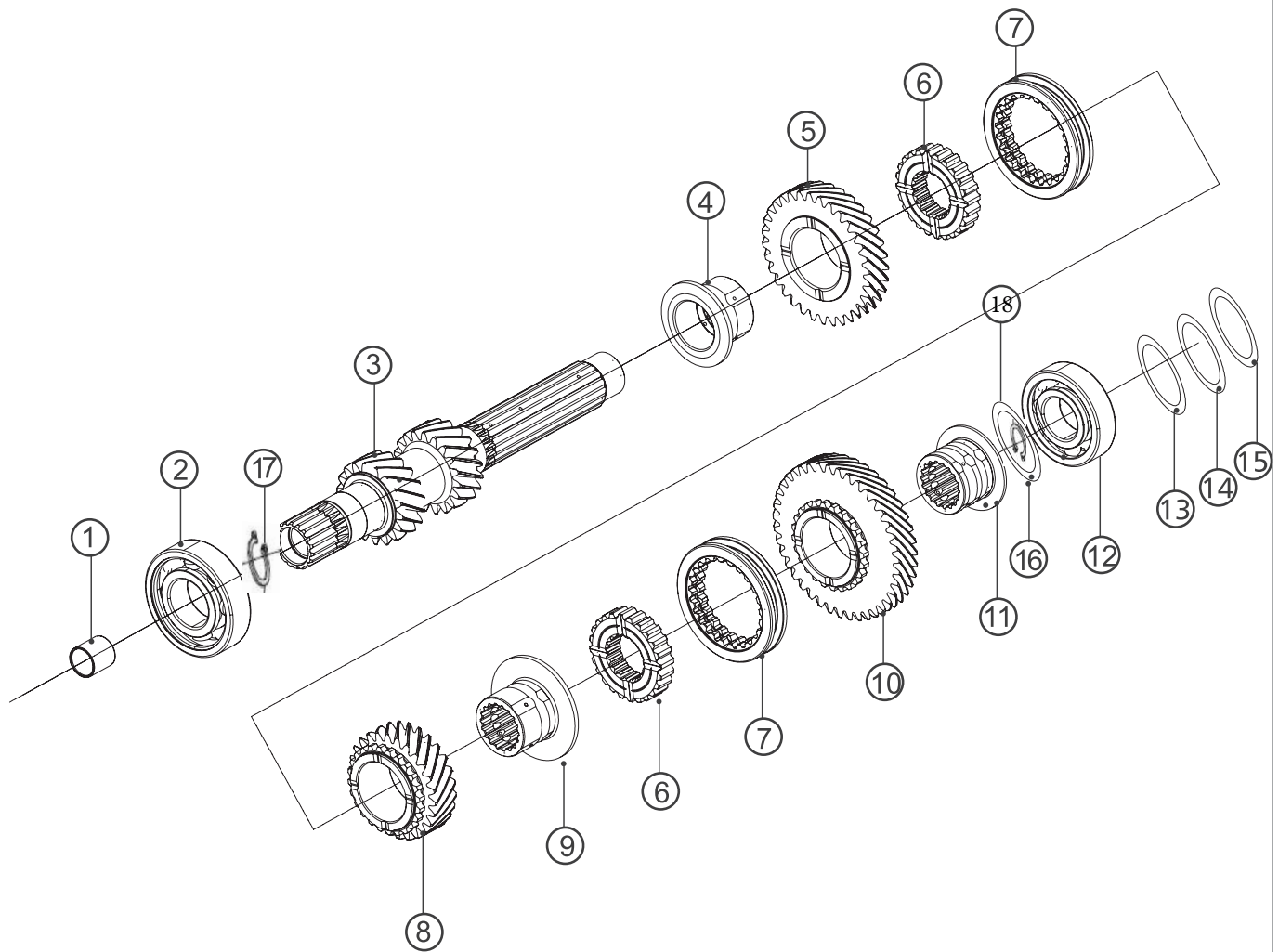
M&M Part Number	Ref.	Description of Part	Quantity		Remarks / Service Bulletin No.
			3DI	4DI	
006510430V1	A	HOUSING REAR	1	1	
006510791V1	1	SHAFT DIFF LOCK	1	1	
006510790V1	2	FORK DIFF LOCK	1	1	
006510793V1	3	SLEEVE DIFF LOCK	1	1	
006000139F1	4	WASHER PLAIN-20X36X5	1	1	
000016175P04	5	SPRING DIFF LOCK	1	1	
006511675V1	6	OILSEAL DIFF LOCK	1	1	
006510797V1	7	WASHER DIFF LOCK	1	1	
000016322P04	8	LOCKING PLATE	1	1	
006511350U1	9	PIN DIFF LOCK	1	1	
000020308E05	10	BOLT HEXFL M8 X 16	1	1	
000013850P04	11	O-RING DIFF LOCK	1	1	
006017521V1	12	WELCH PLUG-30X9	1	1	
006511352U1	13	STOPPER DIFFERENTIAL	1	1	

* Parts Not Illustrated / ‡ Not Serviceable Separately / ◆ Alternate Part Number / A/R As Required

RANGE TOP SHAFT SUB ASSY



SPEED TOP SHAFT ASSEMBLY

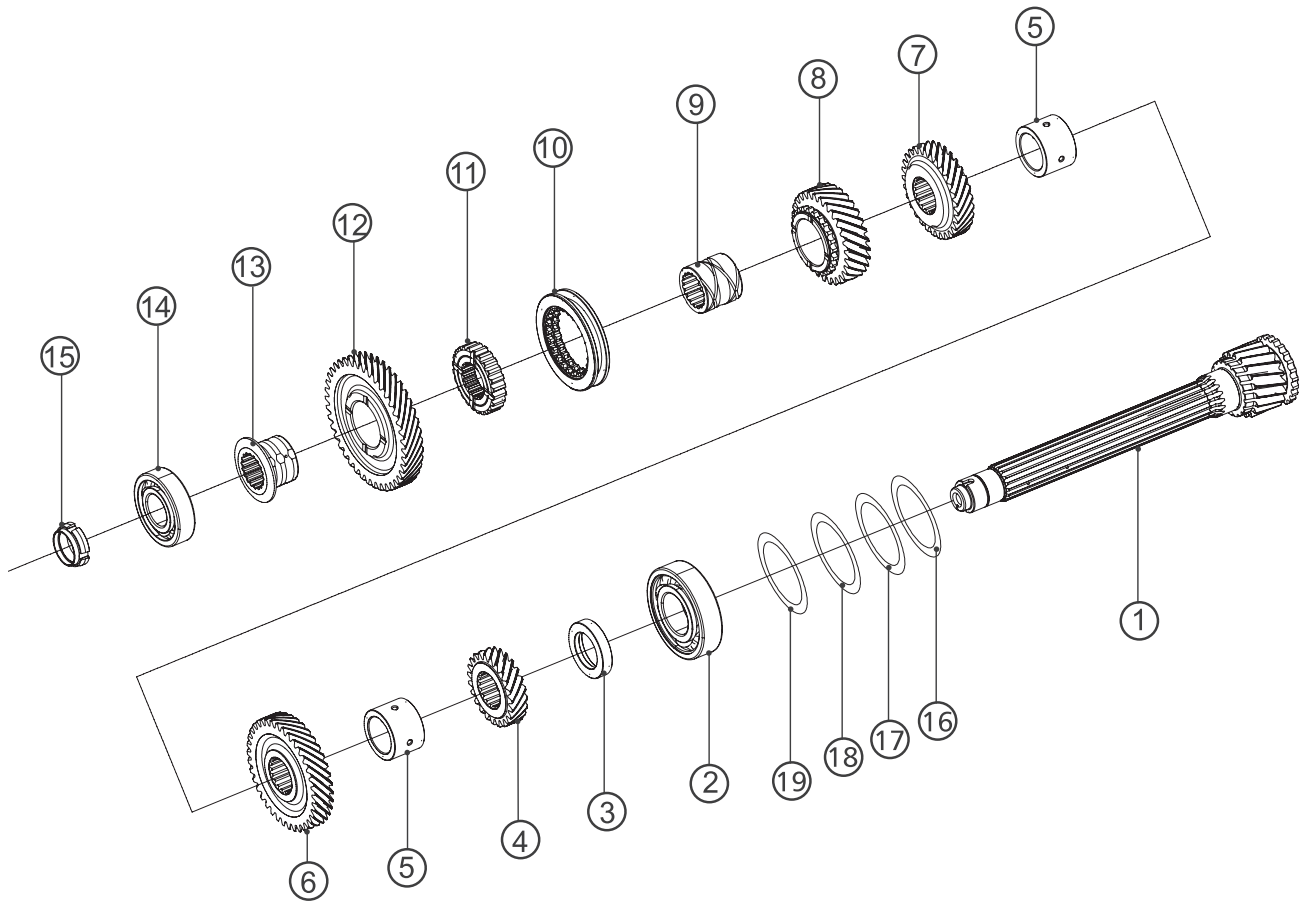


SPEED TOP SHAFT ASSEMBLY

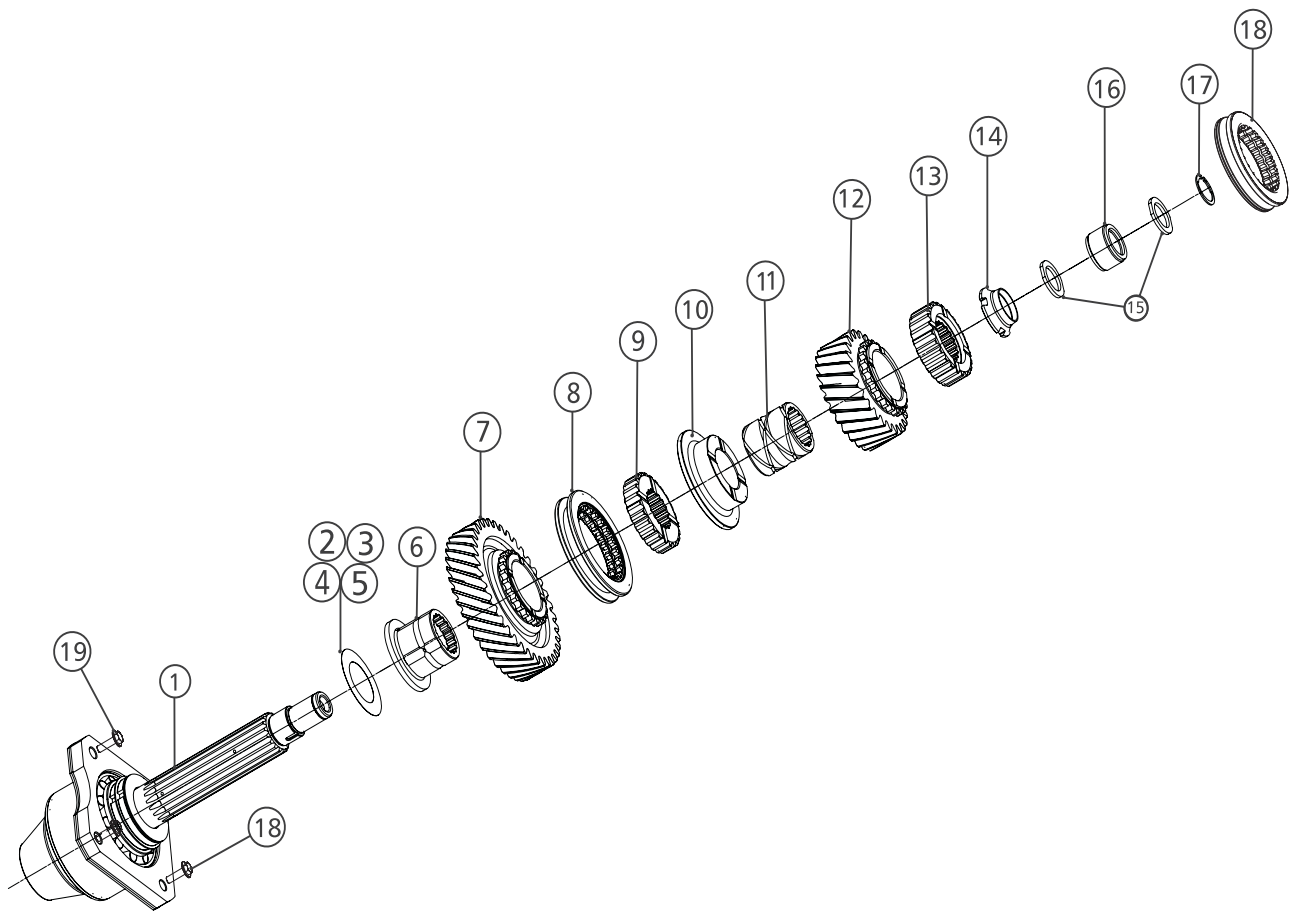
M&M Part Number	Ref.	Description of Part	Quantity		Remarks / Service Bulletin No.
			3DI	4DI	
006510935V1	1	BUSH SHAFT INTERMEDIATE PTO	1	1	
006516216V1	2	BALL BEARING - 6308-Z	1	1	
006512853V1	3	SHAFT DRIVING WITH 1ST T18 & REVERSE T18 SPEED	1	1	
006510801V1	4	BUSH GEAR 3RD DRIVING	1	1	
006513945V1	5	GEAR DRIVING 3RD SPEED T32	1	1	
006510805V1	6	HUB SPEED & LOW RANGE	2	2	
006510807V1	7	COUPLING 2ND 3RD & 4TH SPEED	2	2	
006510802V1	8	BUSH GEAR 2ND DRIVING	1	1	
006510659V1	9	GEAR DRIVING 2ND SPEED T26	1	1	
006513791V1	10	GEAR DRIVING 4TH SPEED T39	1	1	
006514706V1	11	BUSH 4TH DRIVEN GEAR	1	1	
000016299P04	12	BEARING-6307(35X80X21) SHAFT SPEED DRIVEN FRONT	1	1	
006505490D1	13	SHIM DIA 80-0.5MM	A/R	A/R	
006505491D1	14	SHIM DIA 80-0.2MM	A/R	A/R	
006505492D1	15	SHIM DIA 80-0.05MM	A/R	A/R	
000012353P04	16	CIRCLIP EXTERNAL DIA 35	1	1	
000012185P04	17	CIRCLIP EXTERNAL DIA 40	1	1	
006515581V1	18	SHIM DRIVING SHAFT 0.2 MM	A/R	A/R	
006515580V1	18	SHIM DRIVING SHAFT 0.1 THK	A/R	A/R	
006515579V1	18	SHIM DRIVING SHAFT	A/R	A/R	

* Parts Not Illustrated / ‡ Not Serviceable Separately / ♦ Alternate Part Number / A/R As Required

SPEED BOTTOM SHAFT ASSEMBLY



SPLINE SHAFT SUB-ASSY WITH RANGE GEARS

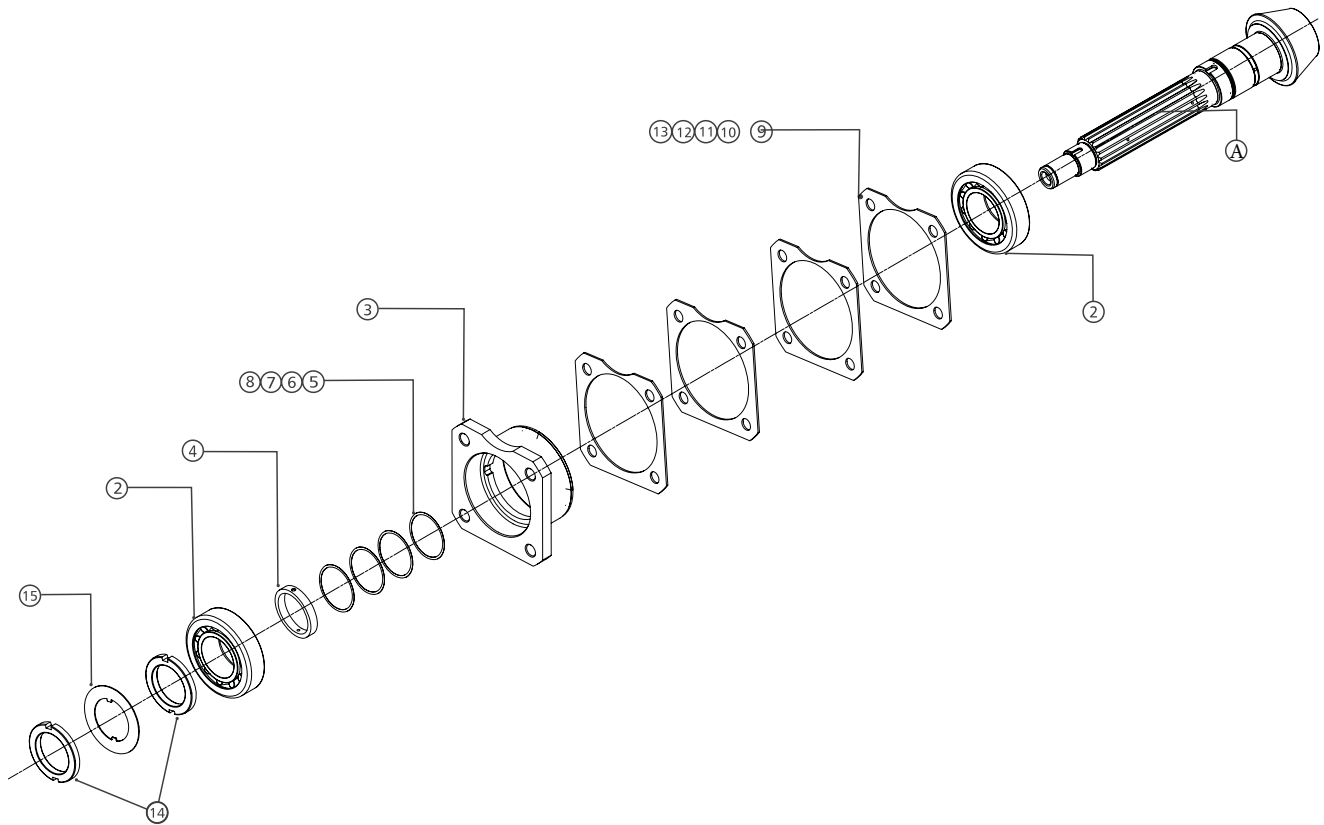
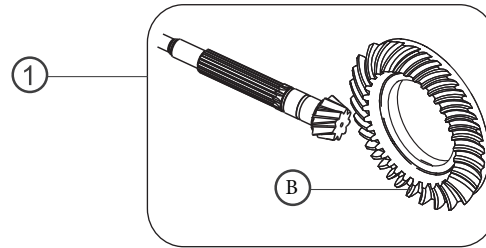


SPLINE SHAFT SUB-ASSY WITH RANGE GEARS

M&M Part Number	Ref.	Description of Part	Quantity		Remarks / Service Bulletin No.
			3DI	4DI	
‡	1	SPLINE SHAFT SUB ASSEMBLY	1	1	
006511010V1	2	SHIM 0.1MM SHAFT SPIRAL BEVEL PINION	A/R	A/R	
006511009V1	3	SHIM 0.2MM SHAFT SPIRAL BEVEL PINION	A/R	A/R	
006511008V1	4	SHIM 0.5MM SHAFT SPIRAL BEVEL PINION	A/R	A/R	
006511007V1	5	SHIM 1.0MM SHAFT SPIRAL BEVEL PINION	A/R	A/R	
006510804V1	6	BUSH GEAR LOW DRIVEN	1	1	
006510669V1	7	GEAR DRIVEN LOW RANGE T38	1	1	
006510808V1	8	COUPLING 1ST REVERSE & LOW SPEED	1	1	
006510805V1	9	HUB SPEED & LOW RANGE	1	1	
006510810V1	10	SPACER HUB LOW RANGE	1	1	
006510803V1	11	BUSH GEAR MEDIUM DRIVEN	1	1	
006510668V1	12	GEAR DRIVEN MEDIUM RANGE T27	1	1	
006510806V1	13	HUB MEDIUM & HIGH RANGE	1	1	
006510939V1	14	LOCK NUT M30X1.5	1	1	
006510912V1	15	SPACER NRB SPLINE SHAFT	2	2	
006511069V1	16	BEARING NEEDLE ROLLER-25X37X23.8	1	1	
006510938V1	17	V-RING Ø25	1	1	
006510809V1	18	COUPLING MEDIUM HIGH SPEED	1	1	
000013898P04	19	FLANGED BOLT	4	4	

* Parts Not Illustrated / ‡ Not Serviceable Separately / ♦ Alternate Part Number / A/R As Required

SPLINE SHAFT SUB ASSEMBLY

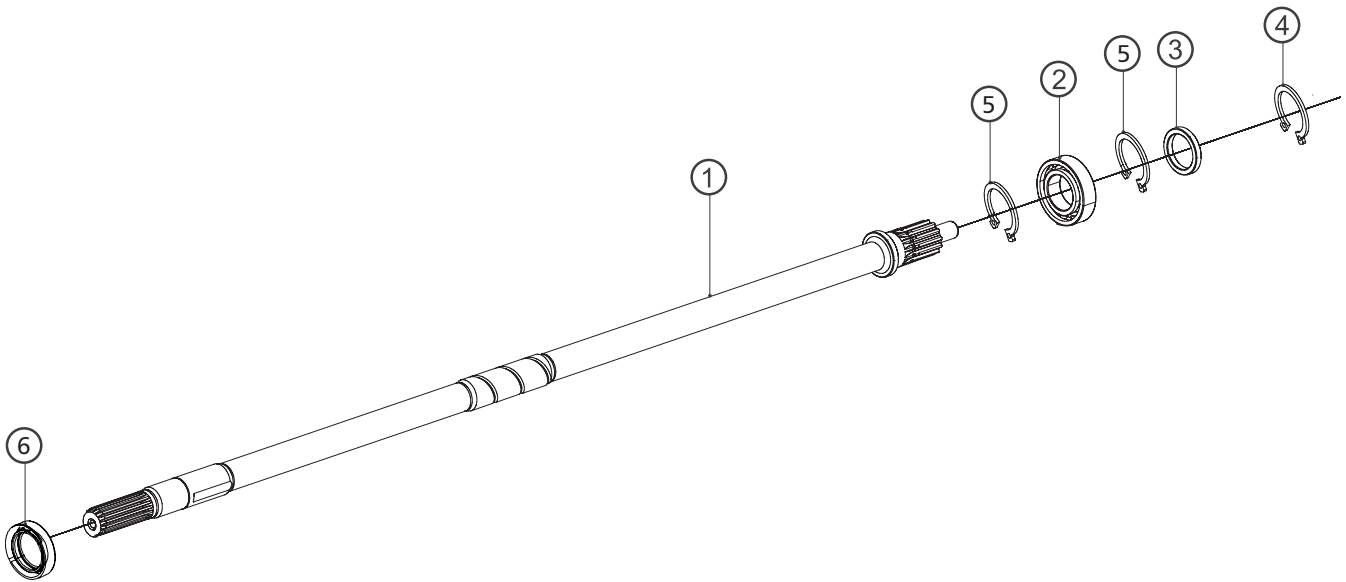


SPLINE SHAFT SUB ASSEMBLY

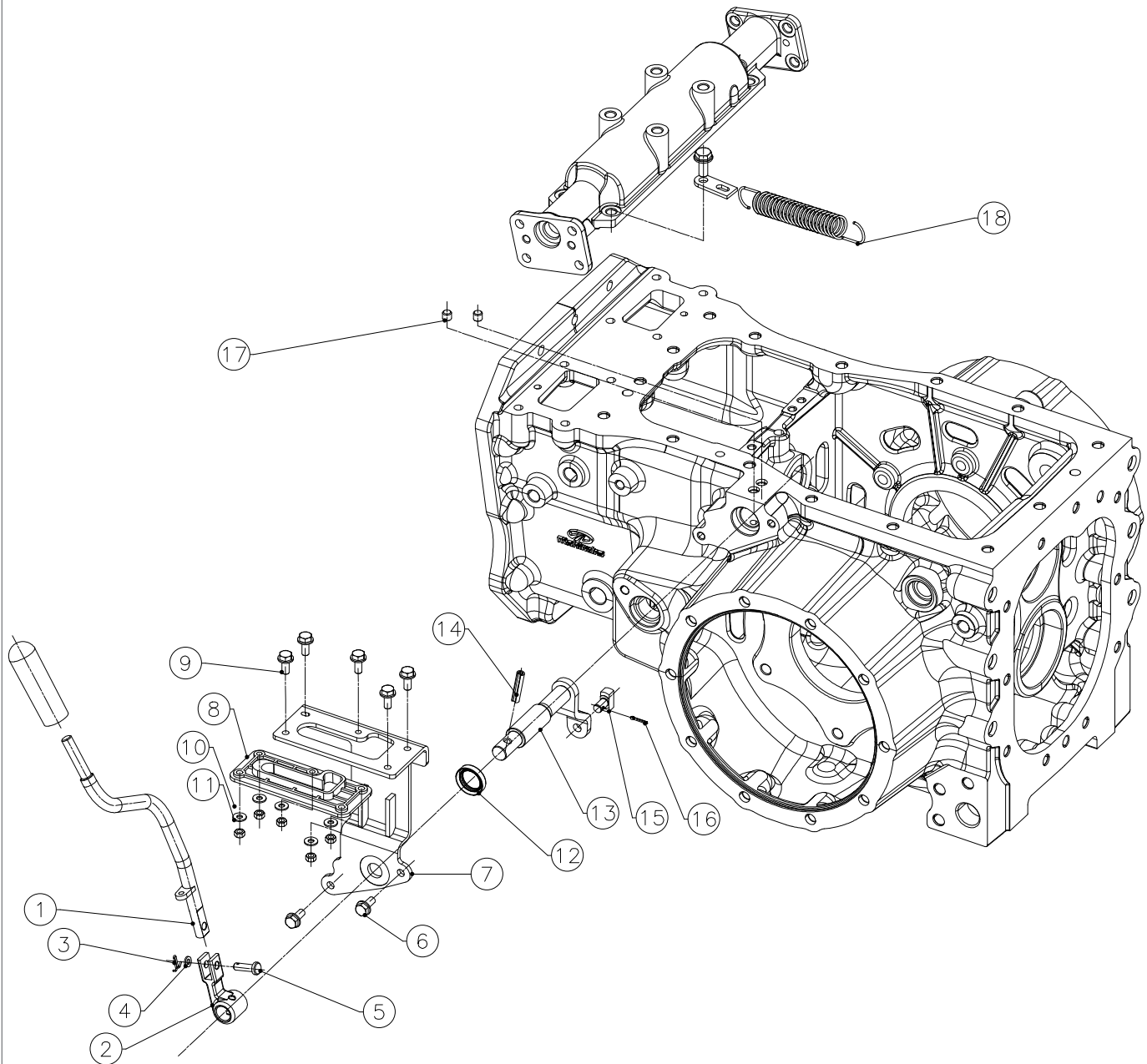
M&M Part Number	Ref.	Description of Part	Quantity		Remarks / Service Bulletin No.
			3DI	4DI	
006510524V91	1	SET OF TWO 10T/41T	1	1	
‡	A	→ SPLINE SHAFT SPIRAL PINION INTEGRAL-10T	1	1	
‡	B	→ GEAR SPIRAL BEVEL 41T	1	1	
005557131R91	2	BEARING TAPER ROLLER(HEAD & TAIL)	2	2	
006510450V1	3	CAGE BEARING SPLINE SHAFT	1	1	
006510496V1	4	SPACER CAGE BEARING SPLINE SHAFT	1	1	
001232925R1	5	SHIM PRE-LOADING SPLINE SHAFT-0.002"	A/R	A/R	
003044038R1	6	SHIM PRE-LOADING SPLINE SHAFT-0.003"	A/R	A/R	
003044039R1	7	SHIM PRE-LOADING SPLINE SHAFT-0.004"	A/R	A/R	
003044040R1	8	SHIM PRE-LOADING SPLINE SHAFT-0.010"	A/R	A/R	
006511000V1	9	SHIM CAGE BEARING SPLINE SHAFT-1.0MM	A/R	A/R	
006511004V1	10	SHIM CAGE BEARING SPLINE SHAFT-0.075MM	A/R	A/R	
006511003V1	11	SHIM CAGE BEARING SPLINE SHAFT-0.1MM	A/R	A/R	
006511002V1	12	SHIM CAGE BEARING SPLINE SHAFT-0.20MM	A/R	A/R	
006511001V1	13	SHIM CAGE BEARING SPLINE SHAFT-0.38MM	A/R	A/R	
006509970U1	14	LOCKNUT SPLINE SHAFT TAPER ROLLER BEARING	2	2	
006511013V1	15	LOCKPLATE SHAFT SPIRAL BEVEL PINION LOCKNUT	1	1	

* Parts Not Illustrated / ‡ Not Serviceable Separately / ◆ Alternate Part Number / A/R As Required

PTO INTERMEDIATE SHAFT



PTO SHIFTER SUB ASSY

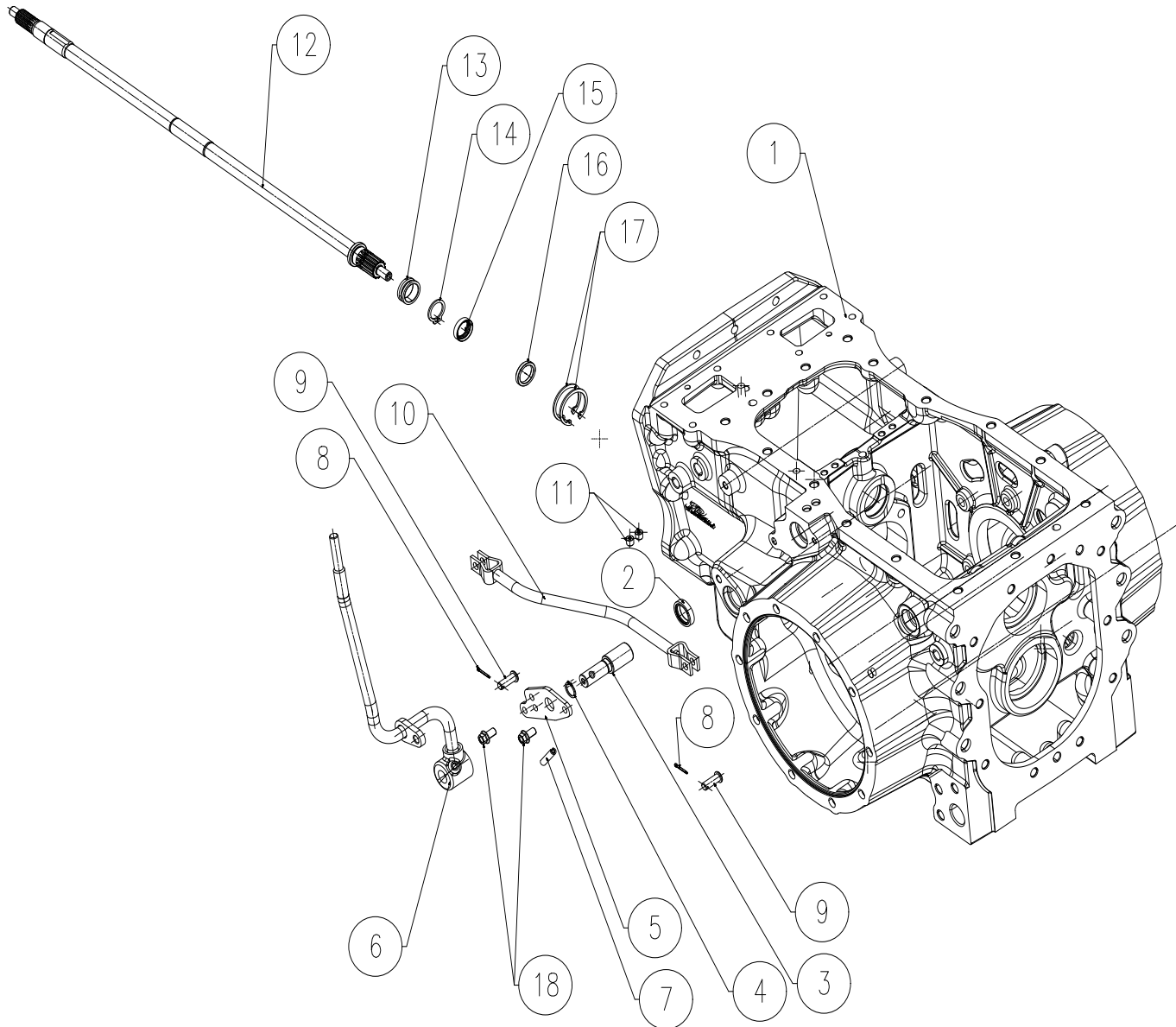


PTO SHIFTER SUB ASSY

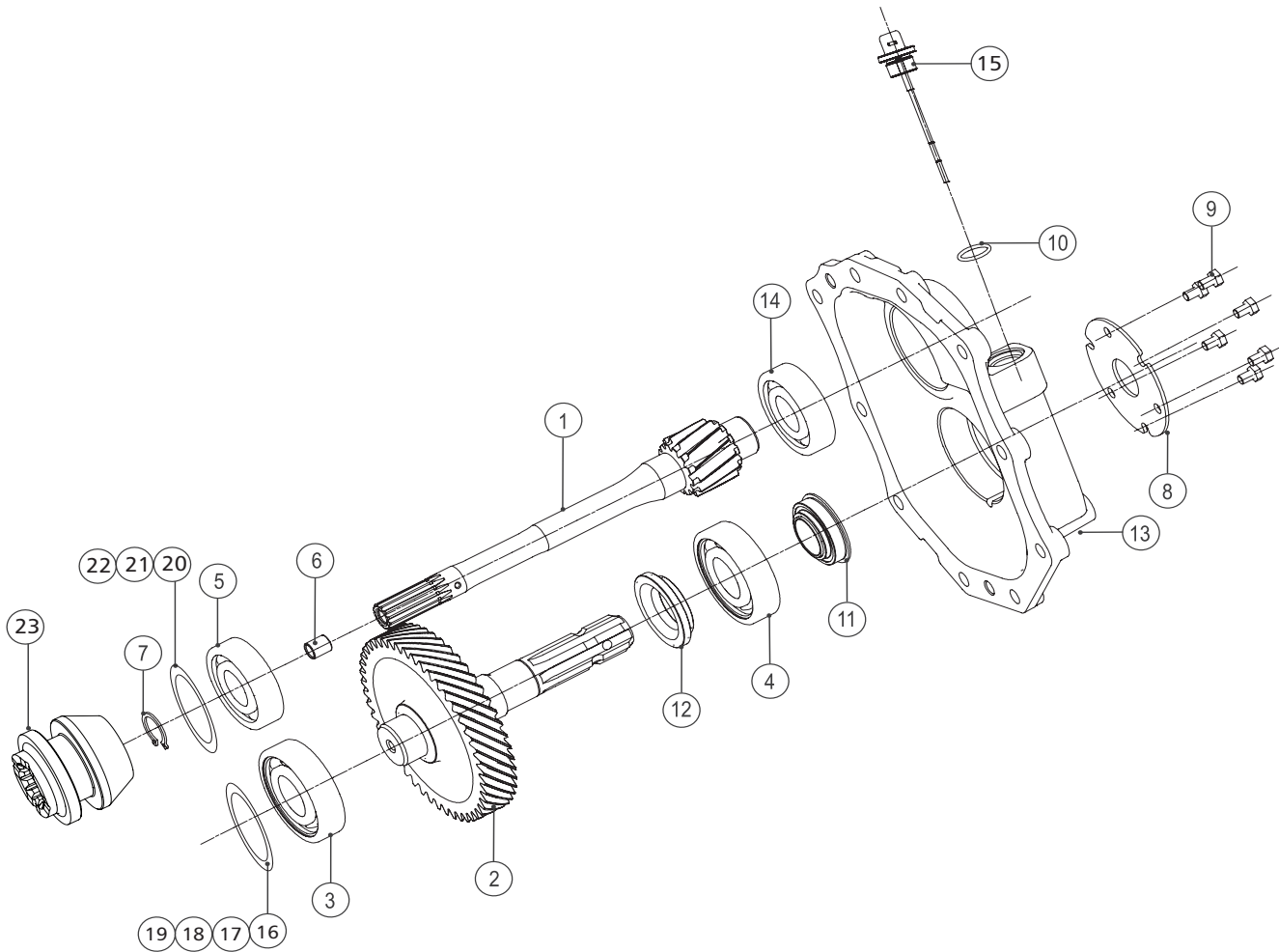
M&M Part Number	Ref.	Description of Part	Quantity		Remarks / Service Bulletin No.
			3DI	4DI	
006515181V11	1	LEVER PTO SHIFTER	1	1	
006515183V1	2	CAM PTOB SHIFTER	1	1	
000103373	3	PIN COTTER G2.38125X19.05	1	1	
000120393	4	WASHER PLAIN G8.712X17.450X1.295	1	1	
000039374D	5	PIN ROD END	2	2	
000020308E05	6	BOLT HEXFL M8 X 16	1	1	
006515182V11	7	GUIDE PLATE PTO SHIFTER	2	2	
006515184V1	8	PLASTIC GUIDE PLATE	1	1	
000020312E05	9	BOLT HEXFL M6X1.00X20.5X8.8	1	1	
007515212D1	10	WASHER PLAIN M6X15X1.5	5	5	
001233807R1	11	NUT HEX M6 X 1.0 X 5 X 6.6	5	5	
000016211P04	12	OIL SEAL 2L 23.75X35.30X7.00	5	5	
006511042V11	13	SHAFT ASSY SHIFTER PTO	1	1	
006513546V91	14	COMPOUND ROLL PIN FOR PTO	1	1	
006513740V1	15	PIN PTO SHIFTER	1	1	
000013269P04	16	COTTER PIN DIA. 2.5X15L	2	2	
000020786E05	17	HEX SOCKET PIPE PLUG	2	2	
007609967V1	18	BRAKE PEDAL RETURN SPRING	1	1	
006515218B1	*	Loctite 638	10ml	10ml	

* Parts Not Illustrated / ‡ Not Serviceable Separately / ◆ Alternate Part Number / A/R As Required

PTO SHIFTER SUB ASSY RCRPTO



POWER TAKE OFF SUB ASSEMBLY

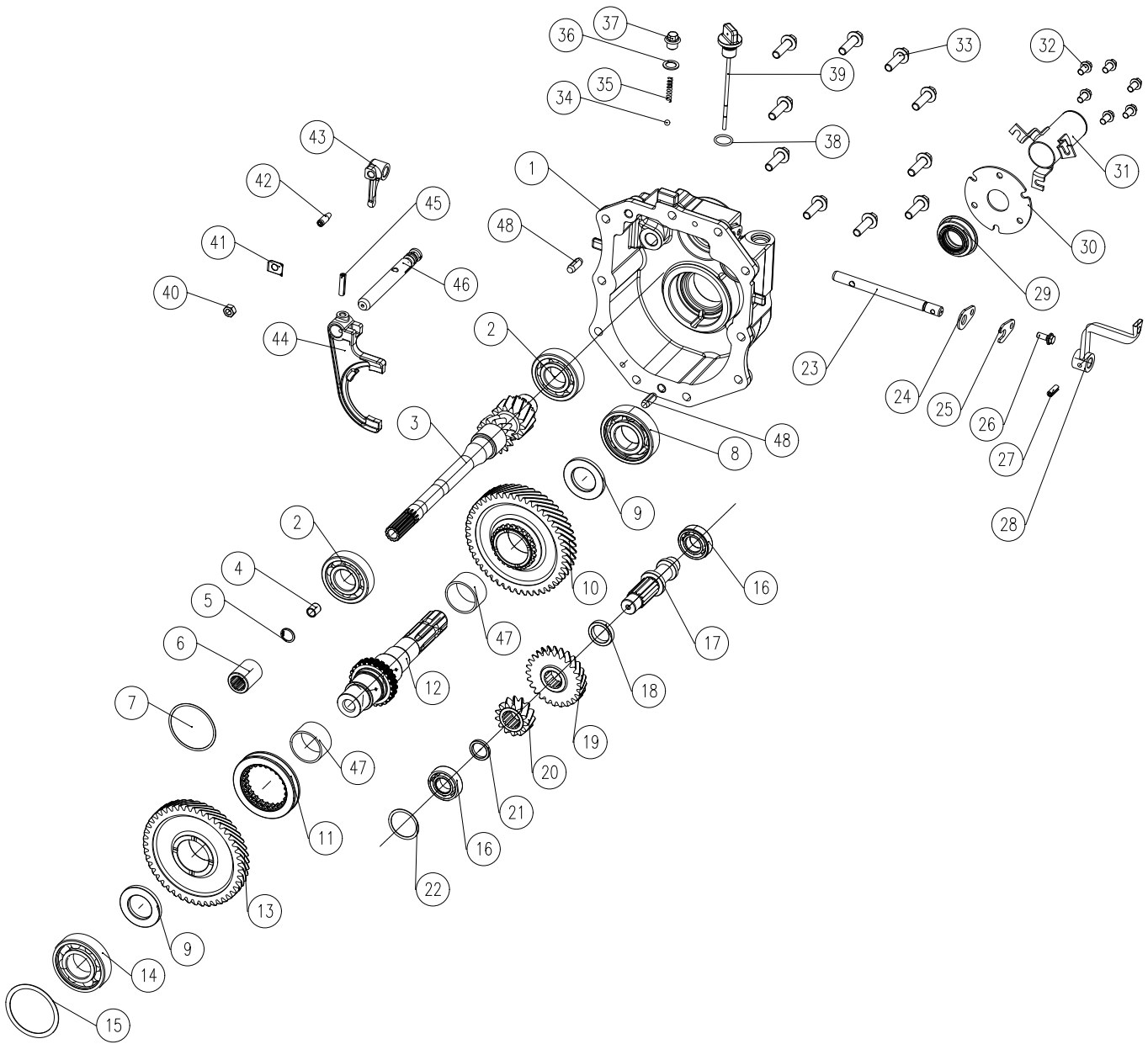


POWER TAKE OFF SUB ASSEMBLY

M&M Part Number	Ref.	Description of Part	Quantity		Remarks / Service Bulletin No.
			3DI	4DI	
006513584V1	1	SHAFT DRIVING PTO T-14	1	1	
006513585V1	2	SHAFT DRIVEN PTO T47	1	1	
006505608D1	3	BALL BEARING 6308(90X40X23)	1	1	
006511040V1	4	BALL BEARING 6308-Z	1	1	
000016299P04	5	BALL BEARING 6307(35X80X21)	1	1	
006510937V1	6	BUSH PTO DRIVING	1	1	
000032097B12	7	CIRCLIP ON LAY SHAFT	1	1	
006510999V1	8	COVER PLATE OIL SEAL PTO	1	1	
000020308E05	9	HEX BOLT M8X12 PTO HOUSING + RETAINER	6	6	
000016656P04	10	O-RING(22.7X2.8)	1	1	
006511674V1	11	OIL SEAL FOR REAR PTO DRIVING SHAFT	1	1	
006510915V1	12	SPACER SHAFT DRIVEN PTO	1	1	
006510469V1	13	SINGLE PTO HOUSING DHRUV	1	1	
000016299P04	14	BALL BEARING 6307(35X80X21)	1	1	
006510692V1	15	DIP STICK	1	1	
000012128P04	16	SHIM-0.5MM	A/R	A/R	
000012204P04	17	SHIM-0.2MM	A/R	A/R	
000012205P04	18	SHIM-0.1MM	A/R	A/R	
000012206P04	19	SHIM-1MM	A/R	A/R	
006505490D1	20	Shim-DIA 80-0.5 mm	A/R	A/R	
006505491D1	21	Shim-DIA 80-0.2 mm	A/R	A/R	
006505492D1	22	Shim-DIA 80-0.05 mm	A/R	A/R	
006511410V1	23	COUPLING SHIFTER PTO	1	1	
006516305V1	*	LOCTITE 5188	1	1	

* Parts Not Illustrated / ‡ Not Serviceable Separately / ◆ Alternate Part Number / A/R As Required

POWER TAKE OFF SUB ASSEMBLY RCRPTO



POWER TAKE OFF SUB ASSEMBLY RCRPTO

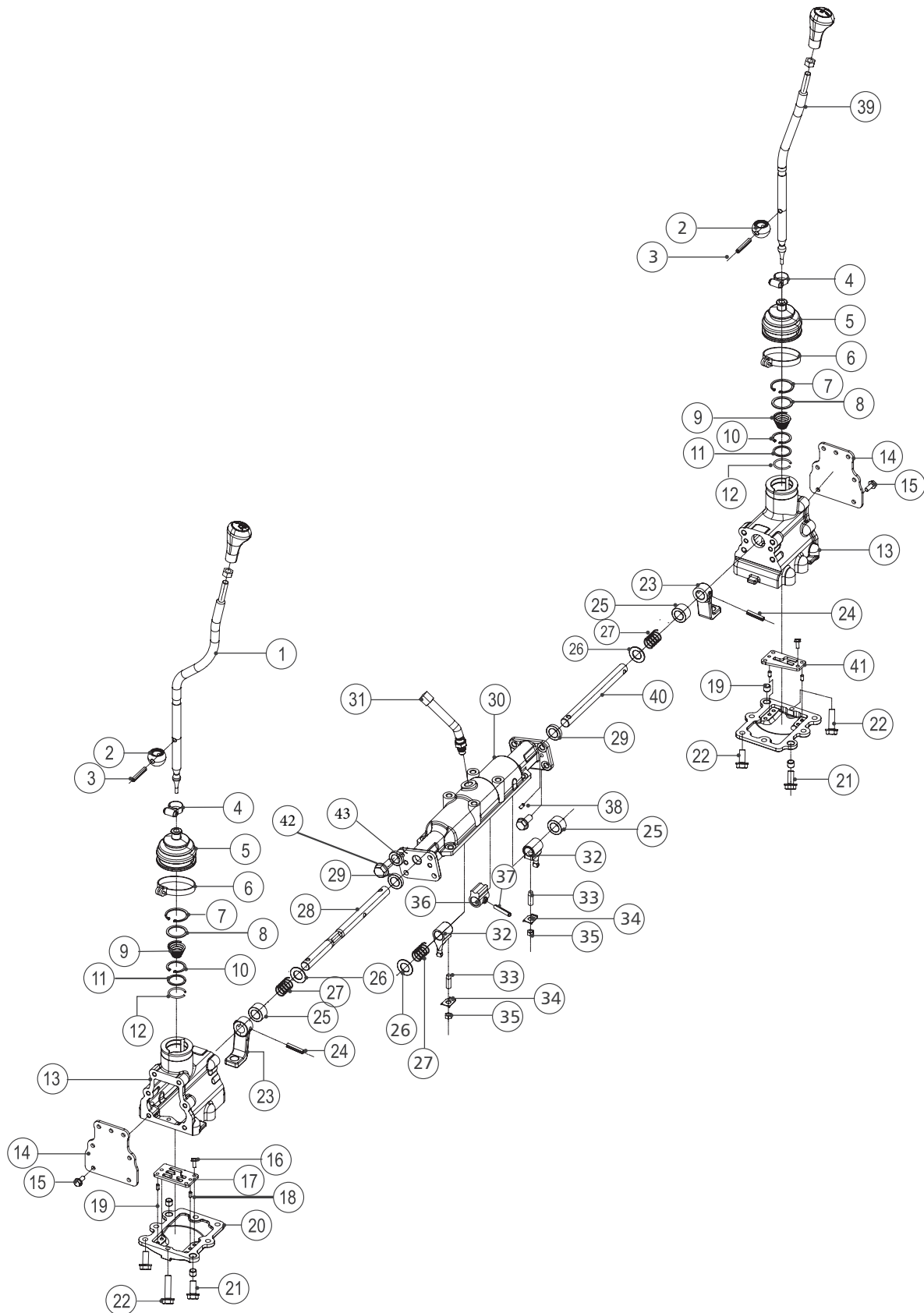
M&M Part Number	Ref.	Description of Part	Quantity		Remarks / Service Bulletin No.
			3DI	4DI	
006512278V1	1	DUAL PTO HOUSING DHRUV	1	1	
000016299P04	2	BALL_BEARING_6307(35X80X21)_0000	2	2	
006512856V1	3	SHAFT DRIVING PTO T17 & T13	1	1	
006510937V1	4	BUSH PTO DRIVING	1	1	
006509197U1	5	INTERNAL CIRCLIP 22	6	6	
006508415U1	6	COUPLING PTO INPUT INTERMEDIATE	1	1	
000012204P04	7	SHIM SPEED DRIVING SHAFT REAR MED.	A/R	A/R	
000012205P04	7	SHIM SPEED DRIVING SHAFT REAR LIGHT	A/R	A/R	
000012128P04	7	SHIM SPEED DRIVING SHAFT REAR HEAVY	A/R	A/R	
006511040V1	8	BALL BEARING 6308-Z	1	1	
006513041V1	9	SPACER IDLER CLUSTER LH	2	2	
006512858V1	10	GEAR DRIVEN 540 PTO	1	1	
006510808V1	11	COUPLING 1ST REVERSE	1	1	
006512857V1	12	SHAFT DRIVEN PTO	1	1	
006513037V1	13	GEAR DRIVEN REV. PTO	1	1	
006505608D1	14	BALL BEARING BULL SHAFT LH	1	1	
006513890V1	15	SHIMS IDLER SHAFT BEARING 0.1	A/R	A/R	
006513891V1	15	SHIMS IDLER SHAFT BEARING 0.15	A/R	A/R	
006513892V1	15	SHIMS IDLER SHAFT BEARING 0.5	A/R	A/R	
006505607D1	16	LAYSHAFT BALL BEARING FRONT	2	2	
006513040V1	17	REV IDLER SHAFT	1	1	
006513042V1	18	SPACER IDLER CLUSTER RH	1	1	
006513550V1	19	GEAR PTO IDLER SHAFT DRIVEN	1	1	
006513553V1	20	GEAR IDLER 13 TEETH	2	2	
006510914V1	21	SPACER SHAFT INTERMEDIATE PTO	2	2	
006515569V1	22	SHIM PTO DRIVEN SHAFT BEARING	A/R	A/R	
006513247V1	23	CROSS SHAFT PTOSHIFTING	1	1	
006513462V1	24	OIL SEAL COVER PLATE CR PTO	1	1	
006513461V1	25	LOCK PLATE CR PTO	4	4	
000020307E05	26	BOLT M8X1.25X20	1	1	
006515576V91	27	COMPOND ROLL PIN (DIA 6 X 22)	1	1	
006513248V1	28	CROSS SHAFT LINK PTO SHIFTING	1	1	
006511674V1	29	OIL SEAL FOR REAR PTO DRIVEN SHAFT	1	1	
006510999V1	30	COVER PLATE OIL SEAL PTO	1	1	
006512393V11	31	CAP PTO PROTECTIVE DHRUV	1	1	
000020308E05	32	BOLT FOR OIL PAN M8X1.0X16	6	6	
000013898P04	33	BOLT HEXFL M12X1.75X40X10.9	10	10	
006503662C1	34	BALL STEEL 8MM	1	1	
006509853U1	35	SPRING RETENTION SHIFTING SYSTEM	1	1	
000012488P04	36	COPPER WASHER FOR RETENTION BOLT	1	1	
006513820V1	37	BOLT SPRING RETENTION	1	1	
000016656P04	38	O-RING 22.7X2.8	1	1	
006513879V1	39	DIPSTICK	1	1	
000031251B12	40	NUT HEX M8X1.25X8X8	1	1	
006511058V1	41	LOCK PLATE GRUB SCREW	1	1	
000031249B12	42	SCREW GRUB SK M10X1.5X30XST	1	1	
006513244V1	43	CAM INNER PTO SHIFTING	1	1	

POWER TAKE OFF SUB ASSEMBLY RCRPTO

M&M Part Number	Ref.	Description of Part	Quantity		Remarks / Service Bulletin No.
			3DI	4DI	
006513243V1	44	FORK PTO SHIFTING	1	1	
006511266U1	45	COMPOUND ROLL PIN(DIA8X35)	1	1	
006513246V1	46	RAIL PTO SHIFTING	1	1	
0091312	47	BRG NEEDLE ROLLER	2	2	
000016182P04	48	PIN DOWEL 12.025X31.000	2	2	
006505640D1	49	OILSEAL DIFFLOCK	1	1	
006516305V1	*	LOCTITE 5188	1	1	

* Parts Not Illustrated / ‡ Not Serviceable Separately / ♦ Alternate Part Number / A/R As Required

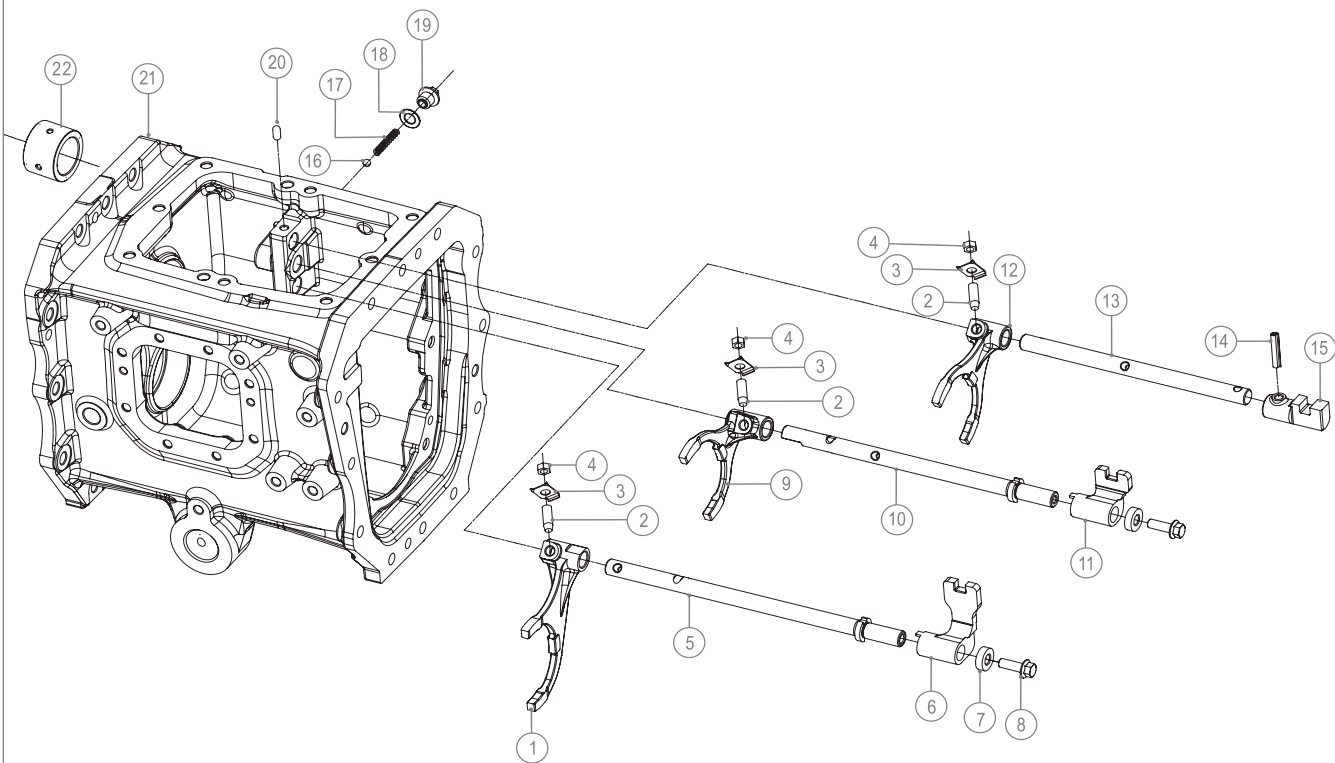
SHIFTING ASSY



M&M Part Number	Ref.	Description of Part	Quantity		Remarks / Service Bulletin No.
			3DI	4DI	
006510557V1	1	LEVER SPEED SHIFTER	1	1	
006510560V1	2	BALL PIVOT GEAR SHIFTER LEVER	2	2	
006510946V1	3	ROLL PIN 8 X 50	2	2	
005556668R91	4	CLAMP HOSE WORM DRIVE	2	2	
006510774V1	5	RUBBER BOOT SPEED	2	2	
005555585R91	6	HOSE CLIP	1	1	
000012188P04	7	CIRCLIP INTERNAL	2	2	
006513581V1	8	SPACER STOPPER CONICAL SPRING	2	2	
006510554V1	9	CONICAL SPRING SHIFTER LEVER	2	2	
000031023B11	10	CIRCLIP INTERNAL	2	2	
006510948V1	11	SPACER WIRE CLIP STOPPER	2	2	
006510952V1	12	WIRE CLIP SHIFTER BALL STOPPER	2	2	
006510925V1	13	BOX SIDE COVER SHIFTER HOUSING	2	2	
006511097V1	14	COVER PLATE SHIFTER SIDE COVER BOX FRONT	2	2	
000020308E05	15	HEX HEAD FLANGE BOLT M8 X 16	12	12	
000020797E05	16	M6 X 12 FLANGE BOLT	6	6	
006513816V1	17	GUIDE PLATE SPEED	1	1	
006513806V1	18	DOWEL PIN 6 X 12	4	4	
006511118V1	19	SLEEVE LOCATING COVER PLATE	4	4	
006511263V1	20	PLATE COVER SHIFTER BOTTOM RH	2	2	
000020313E05	21	HEX HEAD FLANGE BOLT M10 X 25.5 - 8.8	22	22	
000020310E05	22	M8 X 35 FLANGE HEADED BOLT	2	2	
006510552V1	23	CAM LINK OUTER SPEED/RANGE	2	2	
006511060C91	24	COMPOUND ROLLPIN ASSY	2	2	
006511151V1	25	SPACER LONG CROSSGATE	3	3	
006512276V1	26	SPACER BIASING SPRING	3	3	
006512275V1	27	SPRING BIASING	3	3	
006510553V1	28	SHAFT GATE SHIFTER SPEED	1	1	
006504206C91	29	OIL SEAL HOUSING SHIFTER TOP	2	2	
006511261V1	30	HOUSING SHIFTER MAIN TOP	1	1	
007702760V91	31	NEUTRAL SWITCH	1	1	
006510551V1	32	CAM LINK INNER SPEED/RANGE	2	2	
000031249B12	33	GRUB SCREW M10 X 1.25	2	2	
006511058V1	34	LOCK PLATE FORK	2	2	
000031251B12	35	FORK CLAMPING NUT M10 X 1.25	2	2	
006513786V1	36	CAM INNER NEUTRAL SWITCH	1	1	
006514763V91	37	ROLL PIN 6.35 X 17	1	1	
000020281E05	38	DOWEL PIN 8 X 18	6	6	
006510558V1	39	LEVER RANGE SHIFTER	1	1	
006511965V1	40	SHAFT GATE SHIFTER RANGE	1	1	
006513817V1	41	GUIDE PLATE RANGE	1	1	
006513820V1	42	BOLT SPRING RETENTION	1	1	
000012488P04	43	COPPER WASHER	1	1	
006507427B1	*	LOCTITE 5060	60ml	60ml	
006515218B1	*	LOCTITE 638	3ml	3ml	

* Parts Not Illustrated / ‡ Not Serviceable Separately / ◆ Alternate Part Number / A/R As Required

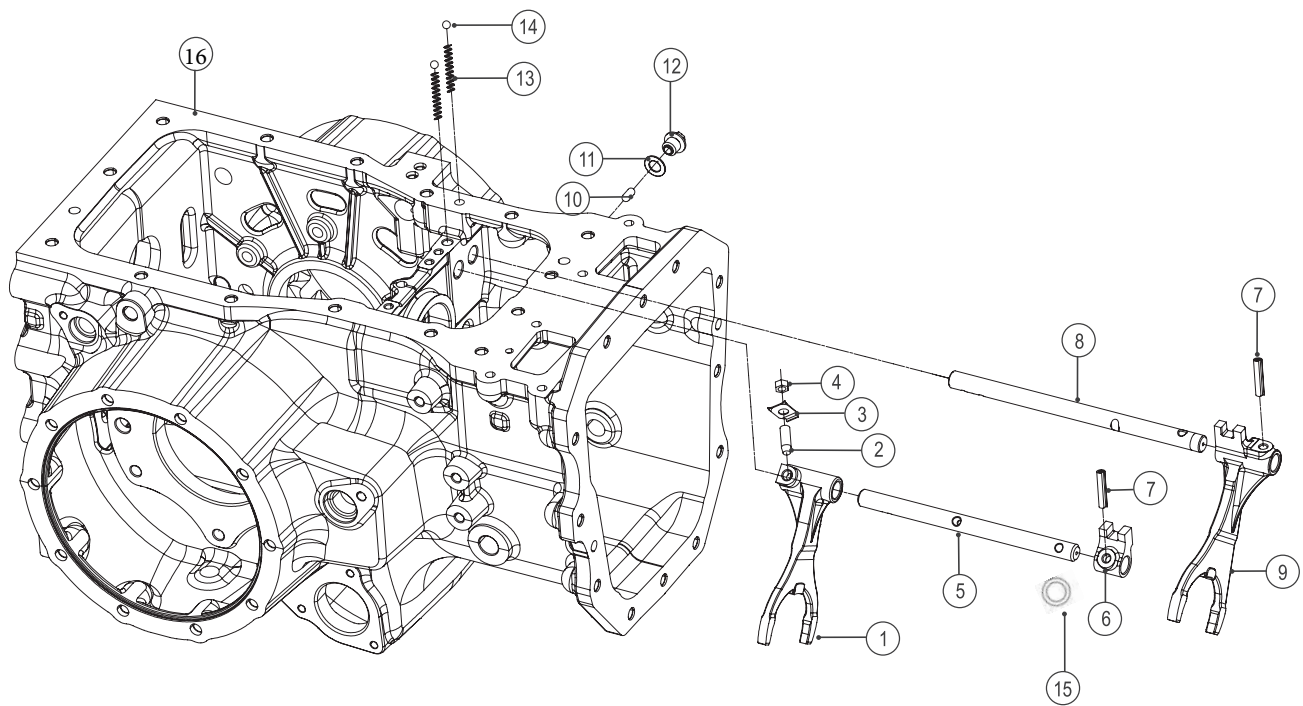
SPEED SHIFTING SUB ASSY



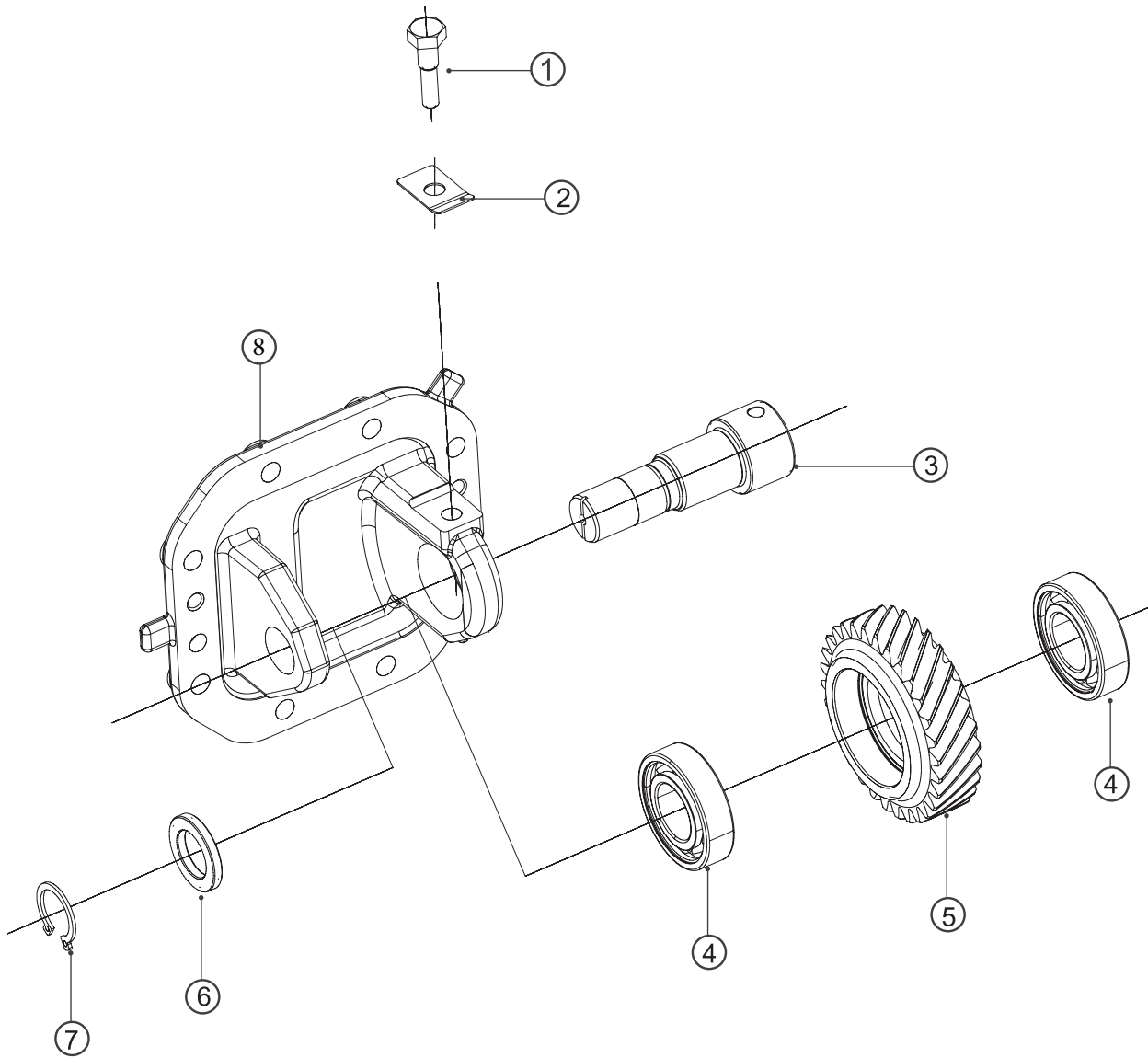
SPEED SHIFTING SUB ASSY

M&M Part Number	Ref.	Description of Part	Quantity		Remarks / Service Bulletin No.
			3DI	4DI	
006510853V1	1	FORK REV & 1ST	1	1	
000031249B12	2	GRUB SCREW M10 X 1.25	3	3	
006511058V1	3	LOCK PLATE FORK	3	3	
000031251B12	4	FORK CLAMPING NUT M10X1.25	3	3	
006510919V1	5	RAIL SHIFTER REV & 1ST	1	1	
006511142V1	6	GATE SHIFTER REV & 1ST	1	1	
006511113V1	7	WASHER LOCKING SHIFTER BLOCK	2	2	
006503097D1	8	BOLT FLANGED HEX HEAD M10X1.25X30	2	2	
006510854V1	9	FORK 2ND & 3RD	1	1	
006510920V1	10	RAIL SHIFTER 2ND & 3RD	1	1	
006511143V1	11	GATE SHIFTER 2ND & 3RD	1	1	
006510855V1	12	FORK 4TH	1	1	
006510921V1	13	RAIL SHIFTER 4TH	1	1	
006513814V1	14	COMPOUND ROLL PIN 8 X 30	1	1	
006510580V1	15	GATE SHIFTER 4TH	1	1	
006503662C1	16	BALL	3	3	
006509853U1	17	DETENT SPRING	3	3	
000012488P04	18	COPPER WASHER	3	3	
006503820V1	19	BOLT FOR DETENT SPRING	3	3	
006510571V1	20	INTERLOCK PIN RAIL	2	2	
006510487V1	21	SPEED HOUSING	1	1	
006514376V1	22	BUSH-SPEED HOUSING	1	1	
006507427B1	*	LOCTITE 5060	60ml	60ml	

RANGE SHIFTING SUB ASSY



REVERSE IDLER SHAFT

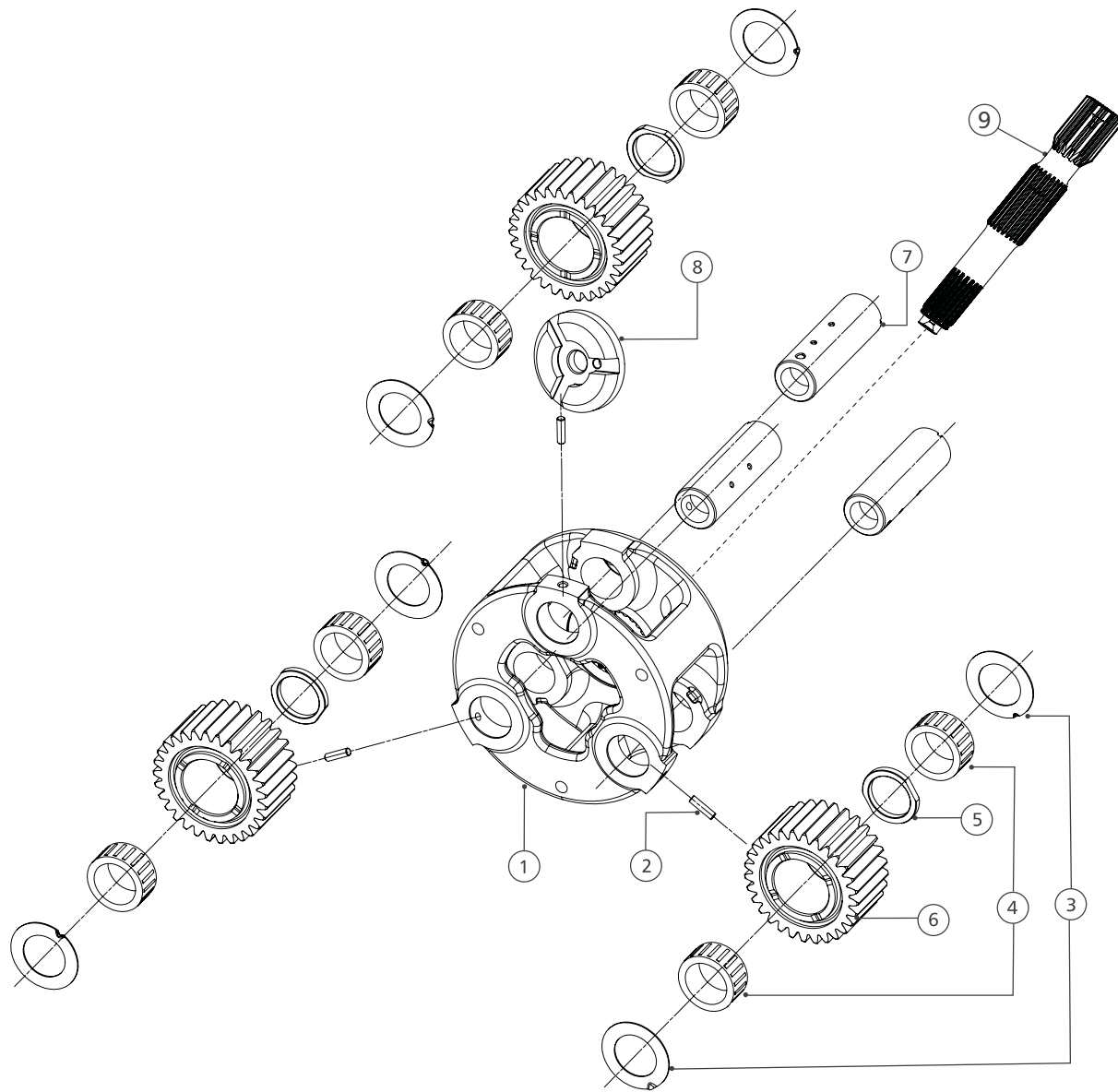


REVERSE IDLER SHAFT

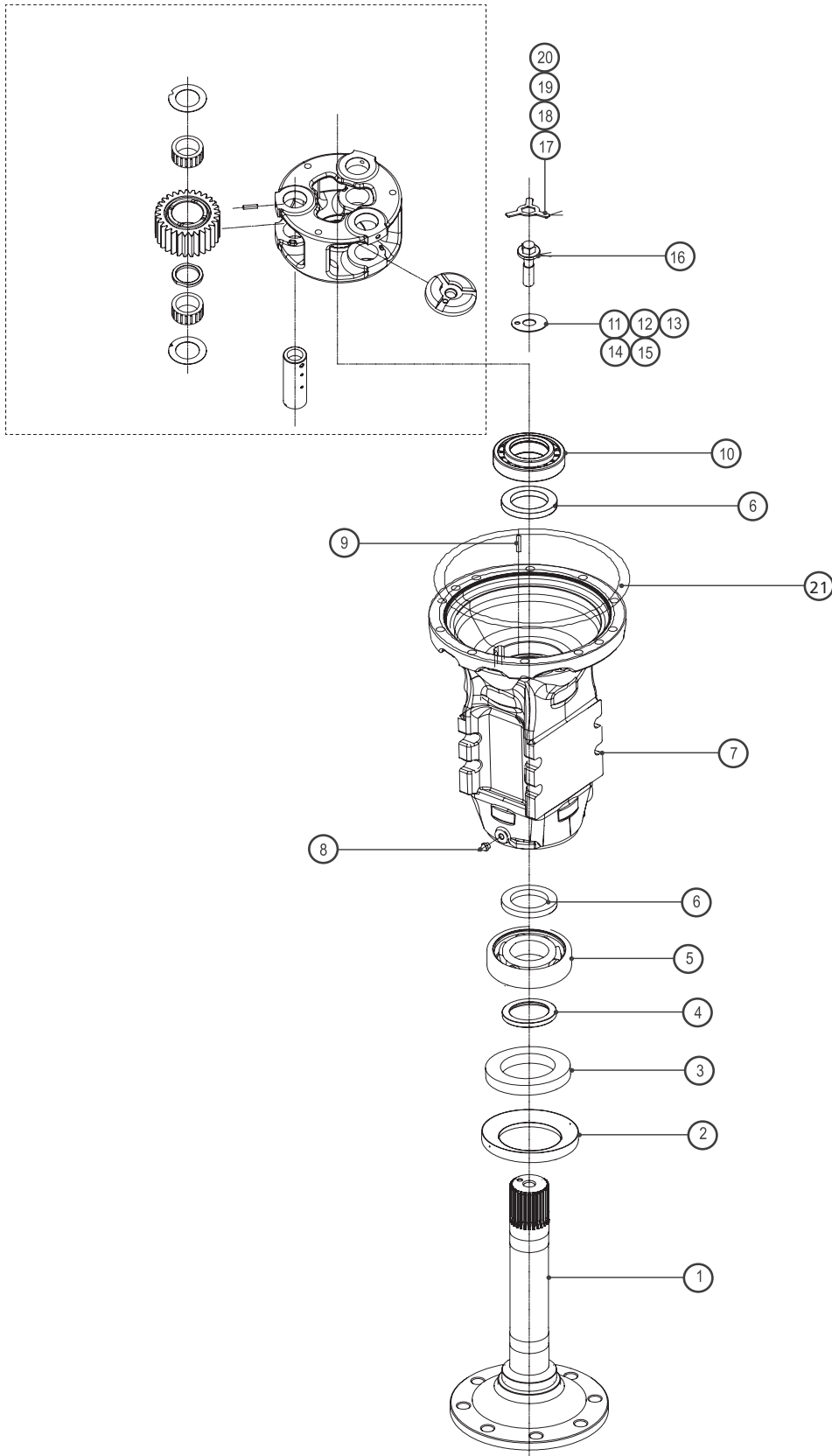
M&M Part Number	Ref.	Description of Part	Quantity		Remarks / Service Bulletin No.
			3DI	4DI	
006510998V1	1	BOLT SHAFT IDLER REVERSE	1	1	
006513545V1	2	IDLER BOLT LOCK PLATE	1	1	
006510864V1	3	SHAFT REVERSE IDLER	1	1	
006509193U1	4	BALL BEARING - 6206C3	2	2	
006510657V1	5	GEAR IDLER REVERSE T30	1	1	
006510913V1	6	SPACER GEAR IDLER REVERSE	1	1	
000032097B12	7	CIRCLIP EXTERNAL DIA.25 HEAVY SERIES	1	1	
006510433V1	8	BLOCK REVERSE IDLER	1	1	

* Parts Not Illustrated / ‡ Not Serviceable Separately / ◆ Alternate Part Number / A/R As Required

PLANETARY SUB ASSY



RAC SUB ASSY WITH PLANETARY

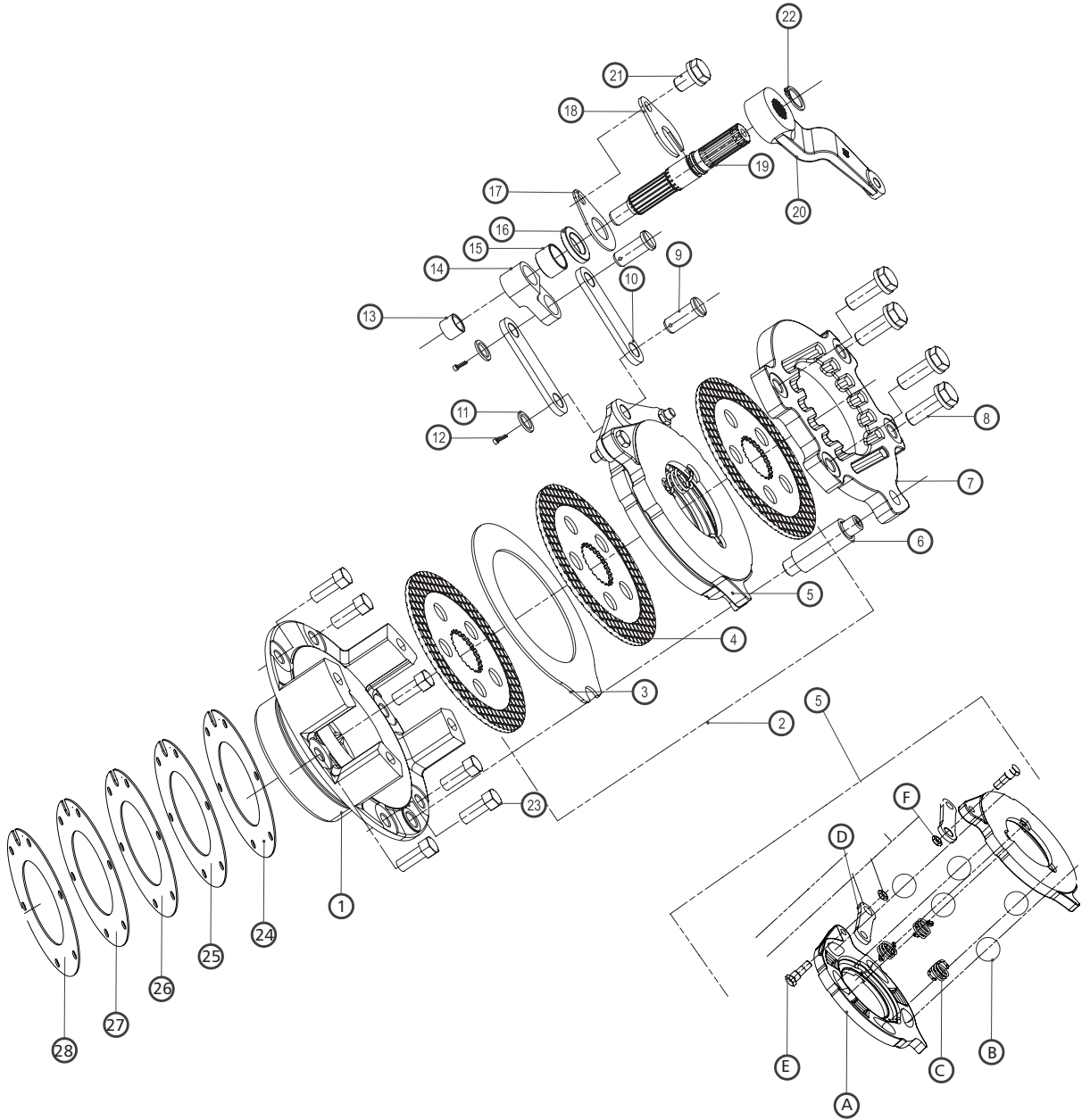


RAC SUB ASSY WITH PLANETARY

M&M Part Number	Ref.	Description of Part	Quantity		Remarks / Service Bulletin No.
			3DI	4DI	
006510500V1	1	SHAFT REAR AXLE	2	2	
006510904V1	2	COVER PROTECTIVE WHEEL-END OIL SEAL	2	2	
006511673V1	3	OIL SEAL REAR AXLE WHEEL END	2	2	
006510512V1	4	SPACER REAR AXLE OUTER BEARING	2	2	
001099467R91	5	BEARING BALL REAR AXLE	2	2	
006511672V1	6	OIL SEAL REAR AXLE INNER	4	4	
006510449V1	7	REAR AXLE CARRIER	2	2	
006515065V91	8	GREASE NIPPLE	4	4	
005555814R1	9	ROLL PIN LOCKING REAR AXLE	2	2	
006511676V1	10	BEARING CYLINDRICAL ROLLER REAR AXLE	2	2	
006511017V1	11	SHIM_REAR_AXLE-1.0MM	A/R	A/R	
006511018V1	12	SHIM_REAR_AXLE-0.4MM	A/R	A/R	
006511019V1	13	SHIM_REAR_AXLE-0.125MM	A/R	A/R	
006511020V1	14	SHIM_REAR_AXLE-0.1MM	A/R	A/R	
006511021V1	15	SHIM_REAR_AXLE-0.5MM	A/R	A/R	
006510507V1	16	BOLT LOCKING REAR AXLE	2	2	
006510792V1	17	LOCK PLATE REAR AXLE-0 DEGREE	A/R	A/R	
006510794V1	18	LOCK PLATE REAR AXLE-10 DEGREE	A/R	A/R	
006510796V1	19	LOCK PLATE REAR AXLE-20 DEGREE	A/R	A/R	
006510798V1	20	LOCK PLATE REAR AXLE-30 DEGREE	A/R	A/R	
006510511V1	21	O-RING PLANETARY	2	2	
006516305V1	*	LOCTITE 5188			

* Parts Not Illustrated / ‡ Not Serviceable Separately / ♦ Alternate Part Number / A/R As Required

BRAKE ASSEMBLY

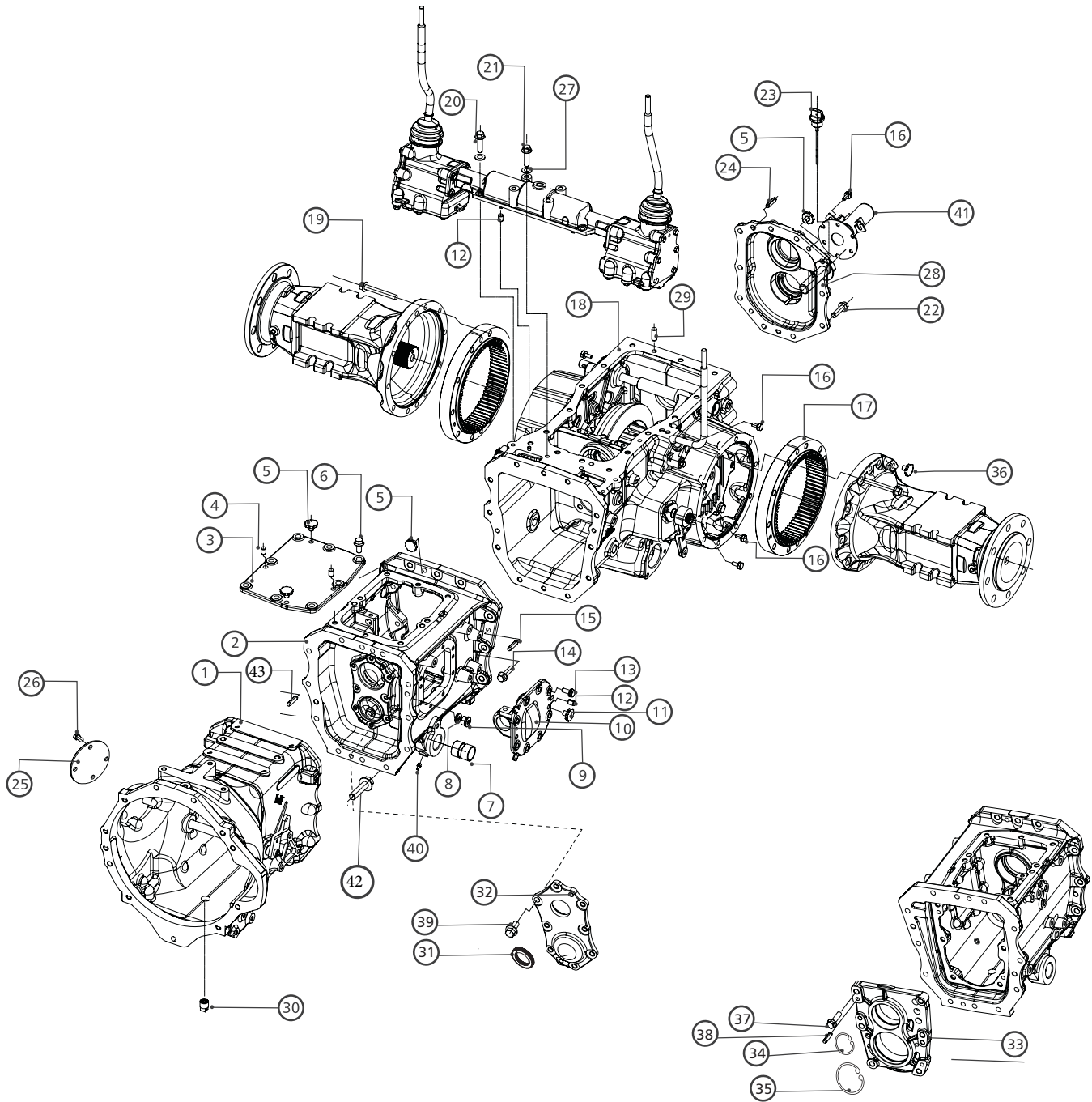


BRAKE ASSEMBLY

M&M Part Number	Ref.	Description of Part	Quantity		Remarks / Service Bulletin No.
			3DI	4DI	
006511967V1	1	BRAKE CUM BRG. CAGE RH	1	1	
006511966V1	1	BRAKE CUM BRG. CAGE LH	1	1	
006514205V91	2	BRAKE ASSY	2	2	
006510461V1	3	└─► INTERMEDIATE DISC	2	2	
006514202V1	4	└─► FRICTION DISC	6	6	
006510468V91	5	└─► ACTUATING DISC ASSEMBLY	2	2	
006510466V1	A	└─► ACTUATING DISC MACHINING	2	2	
006503349D1	B	└─► BALL	5	5	
006503348D1	C	└─► SPRING	3	3	
006503351D1	D	└─► LINK	2	2	
006510463V1	E	└─► PIVOT PIN	2	2	
006503350D1	F	└─► LOCK NUT	2	2	
006510704V1	6	PIN ABUTMENT BRAKE	2	2	
006510451V1	7	PLATE BRAKE	2	2	
000013900P04	8	BOLT HEX. HD. M12X45 FLANGED	8	8	
000016136P04	9	PIN FOR BRAKE	4	4	
006510980V1	10	TIE STRAP	4	4	
000016137P04	11	WASHER	4	4	
000013894P04	12	COTTER PIN	4	4	
000013257P04	13	DRAFT LEVER BUSHING	2	2	
006502748D1	14	LEVER BRAKE (INSIDE)	2	2	
006503155D1	15	BUSH METALLIC	2	2	
000016141P04	16	OIL SEAL 24X38X6	2	2	
006511144V1	17	WASHER BRAKE LOCKING	2	2	
006511145V1	18	LOCKPLATE FOR BRAKE SHAFT	2	2	
006513530V1	19	SHAFT BRAKE(MISSING SPLINE)	2	2	
006513549V1	20	BRAKE LEVER(OUTSIDE)	2	2	
000020324E05	21	BOLT FLANGED HEX HEAD M10X16	2	2	
006500927C1	22	CIRCLIP	2	2	
000012506P04	23	HEX BOLT M12x30	12	12	
006511023V1	24	SHIM BRAKE CUM BRG.CAGE-1.0 mm	A/R	A/R	
006511024V1	25	SHIM BRAKE CUM BRG.CAGE-0.4 mm	A/R	A/R	
006511025V1	26	SHIM BRAKE CUM BRG.CAGE-0.2 mm	A/R	A/R	
006511026V1	27	SHIM BRAKE CUM BRG.CAGE-0.1 mm	A/R	A/R	
006511027V1	28	SHIM BRAKE CUM BRG.CAGE-0.075 mm	A/R	A/R	
006514898V1	28	SHIM BRAKE CUM BRG.CAGE-0.05mm	A/R	A/R	

* Parts Not Illustrated / ‡ Not Serviceable Separately / ♦ Alternate Part Number / A/R As Required

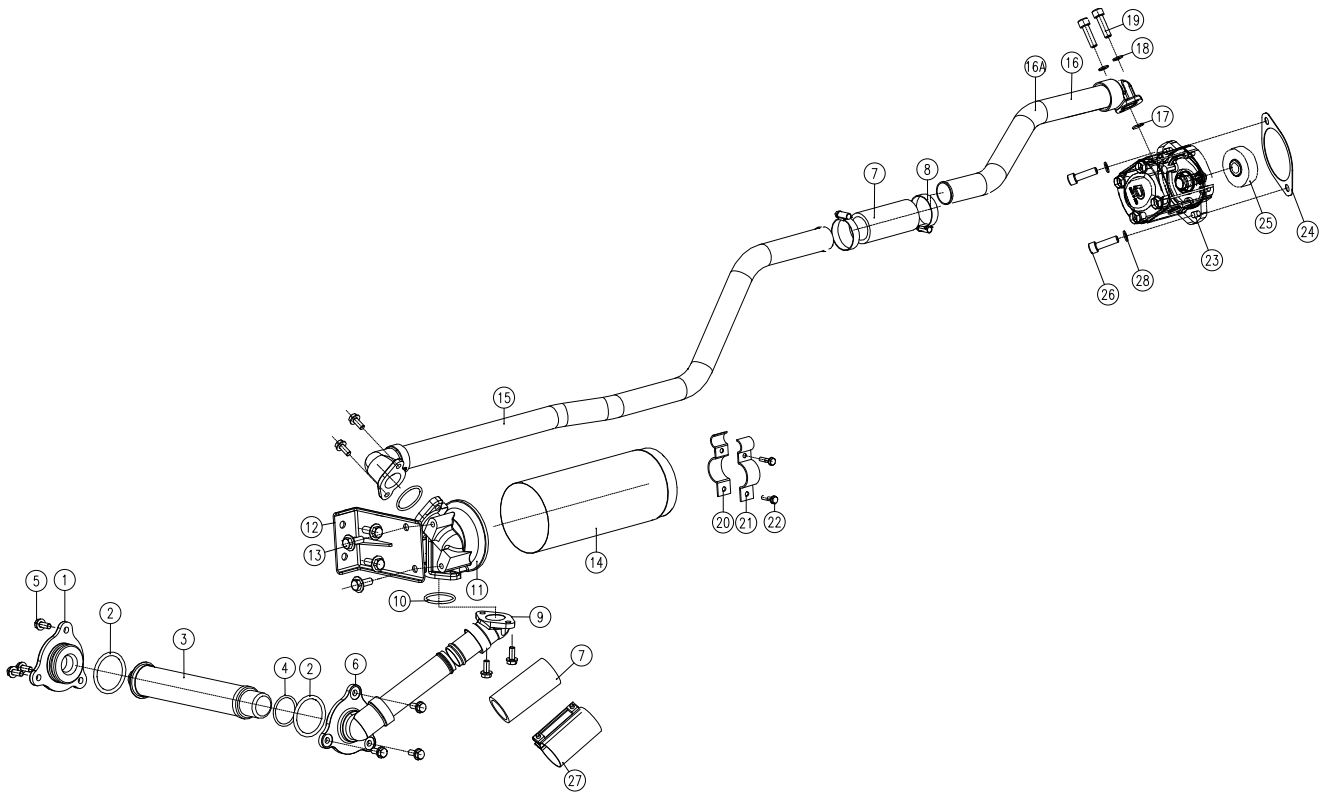
STRUCTURAL ASSY



M&M Part Number	Ref.	Description of Part	Quantity		Remarks / Service Bulletin No.
			3DI	4DI	
006510367V1	1	HOUSING SINGLE CLUTCH	1	1	
006510487V1	2	SPEED HOUSING	1	1	
006510992V1	3	PLATE TOP SPEED HOUSING	1	1	
006512292V1	4	DOWEL PIN TOP PLATE SPEED HOUSING, DIA 12X17	2	2	
006513634V1	5	PLUG for M12 Hole+PTO housing+speed housing+Rear Housing	6	6	
000012506P04	6	HEX BOLT M 12 X 30	8	8	
006514376V1	7	BUSH SINTERED SPEED HOUSING	4	4	
E007204866D1	8	DOWTY WASHER M20 ,HYDRAULIC	1	1	
007206406C1	9	PLUG M20X1.5 ,HYDRAULIC	1	1	
006510433V1	10	BLOCK REVERSE IDLER	1	1	
006513635V1	11	PLUG FOR JUMPING BOLTS M10	2	2	
000020281E05	12	PIN DOWEL 8.015X18.000 SPEED HOUSING TO REVERSE IDLER + SHIFTER TOP HSG	4	4	
000020313E05	13	FLANGED BOLT M10X25,SPEED HOUSING TO REVERSE IDLER HOUSING	8	8	
000013898P04	14	FLANGE BOLT M12X40,REAR HOUSING TO SPEED HOUSING	12	12	
006512401V1	15	DOWEL PIN DIA 12X40,REAR HOUSING TO SPEED HOUSING	2	2	
000020308E05	16	BOLT HEXFL M8X1.25X17.5X8.8 REAR HOUSING+PTO SHIFTER LEVER PLATE+DIFFLOCK PLATE+PTO HOUSING TO PROTECTION COVER AND OIL SEAL MTG BKT	9	9	
006510498V1	17	INTERNAL GEAR-73T	2	2	
006510430V1	18	REAR HOUSING	1	1	
006506440D1	19	BOLT HEXFL M12X1.75X82X10.9 ,REAR HOUSING+RAC+RING GEAR	20	20	
000012248P04	20	BOLT HEX M10X30,REAR HOUSING TO SHIFTER MAIN TOP HOUSING	4	4	
005553022R1	21	BOLT HEX M10X75,REAR HOUSING TO SHIFTER MAIN TOP HOUSING	4	4	
000013898P04	22	FLANGE BOLT M12X40 REAR HOUSING TO PTO HOUSING	10	10	
006510692V1	23	DIPSTICK	1	1	
000016182P04	24	DOWEL PIN REAR HOUSING TO PTO HOUSING	2	2	
006510694V1	25	COVER PLATE CLUTCH HOUSING	1	1	
000020324E05	26	WINDOW PLATE MOUNTING BOLT	4	4	
005555988R1	27	SPRING WASHER M10,REAR HOUSING TO SHIFTER MAIN TOP HOUSING	8	8	
006510469V1	28	PTO HOUSING SINGLE SPEED	1	1	
007208068C1	29	PIN DOWEL DIA 12X45 REAR HOUSING TO VTU HOUSING	2	2	
005556422R2	30	PLUG MAGNATIC DRAIN 1/2-14 NPTF,REAR HOUSING+SPEED HOUSING+CLUTCH HOUSING	5	5	
006511671V1	31	OIL SEAL FOR FRONT MAIN DRIVE SHAFT	1	1	
006510905V1	32	RETAINER FRONT-SPEED HOUSING	1	1	
006510533V1	33	PLATE INTERMEDIATE	1	1	
006505629D1	34	CIRCLIP INTERNAL DIA.80 HEAVY SERIES	1	1	
000012164P04	35	CIRCLIP INTERNAL DIA.100 HEAVY SERIES	1	1	
006513636V1	36	PLASTIC PLUG	4	4	
000013900P04	37	FLANGE BOLTM12 X 45	6	6	
006512402V1	38	DOWEL PLATE INTERMEDIATE	2	2	
000022271RD	39	BOLT M8 X 22	8	8	
000012871P04	40	GREASE NIPPLE	2	2	
006512393V11	41	CAP PTO SAFETY	1	1	

HYDRAULICS

SUCTION PIPE ASSEMBLY - MECHANICAL

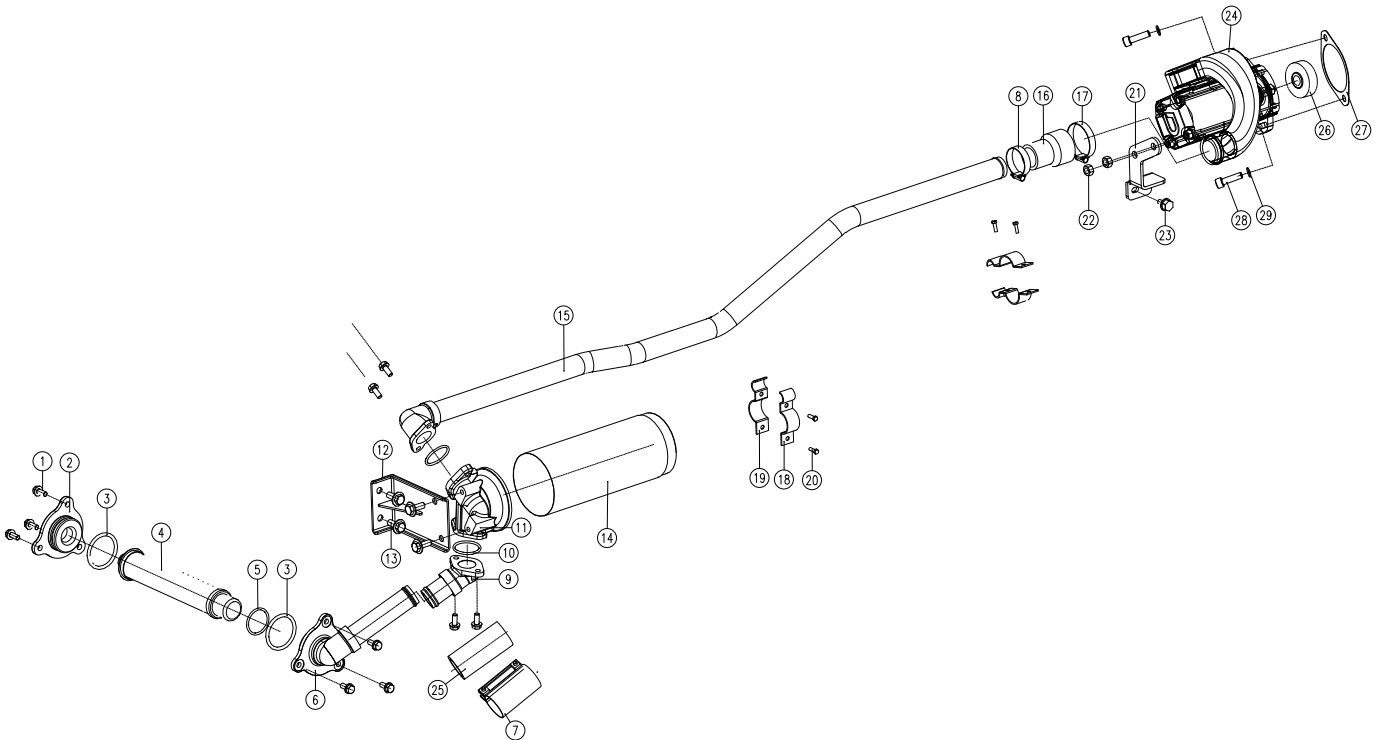


SUCTION PIPE ASSEMBLY- MECHANICAL

M&M Part Number	Ref.	Description of Part	Quantity		Remarks / Service Bulletin No.
			3DI	4DI	
007206498V1	1	STRAINER END COVER	1	1	
007205787C1	2	"O" RING 53.57X3.53	2	2	
000013701P04	3	HYD SUCTION STRAINER - PHASE II	1	1	
000013765P04	4	O RING DIA 20.0 X 2.5	1	1	
000020307E05	5	BOLT HEXFL M8X1.25X20X8.8	10	10	
007206652V11	6	SUCTION PIPE STRAINER TO HOSE ASSLY	1	1	
007201869D2	7	SUCTION HOSE	2	2	
006004797F1	8	CLIP FOR RADIATOR(GREEN PASSIVATED	4	4	
007206646V11	9	PIPE ASSLY FILTER INLET	1	1	
007202179D1	10	O-RING H-3 SUCTION FILTER HEAD (34.2 X 2)	2	2	
007206475V91	11	FILTER HEAD ASSY	1	1	
007206095V1	12	FILTER MOUNTING BRACKET	1	1	
000020565E05	13	BOLT HEXFL M10X1.5X20.5X10.9	4	4	
000013427P04	14	CANISTER PUROLATOR	1	1	
007206647V11	15	FILTER OUTLET PIPE ASSLY-3DI	1	1	
007206648V11	16	PUMP INLET PIPE ASSLY-3DI	1	-	
007206612V11	16	PUMP INLET PIPE ASSLY-4DI	-	1	
000051187D01	17	O-RING -SUCTION MANIFOLD -HYD.PUMP	1	1	
000934309R1	18	WASHER SPRING L M8X15X2	2	2	
000016466P04	19	SCREW HEX HD M8 X 1.25 X 20 X 12.9	2	2	
007202037D1	20	CLAMP PLATE FOR 35 & 16 OD TUBE	1	1	
007202036D1	21	PIPE CLAMP FOR 35 & 16 OD TUBE	1	1	
005555975R1	22	BOLT HEX M5X0.8X15X10.9	3	3	
007206502V91	23	SINGLE PUMP	1	1	
007208276V91	*	SINGLE PUMP SEAL KIT	1	1	
E007204062D1	24	GASKET HYDRAULIC PUMP COMPACT	1	1	
007201531B1	25	PINION HYDRAULIC PUMP STEEL	1	1	
006000453H1	26	BOLT M10 X 55	2	2	
007208092V91	27	SUCTION HOSE CLIP	1	1	
000022273RD	28	WASHER SPRING L M10X18X2.2	2	2	

* Parts Not Illustrated / ‡ Not Serviceable Separately / ◆ Alternate Part Number / A/R As Required

SUCTION PIPE ASSEMBLY - POWER STEERING

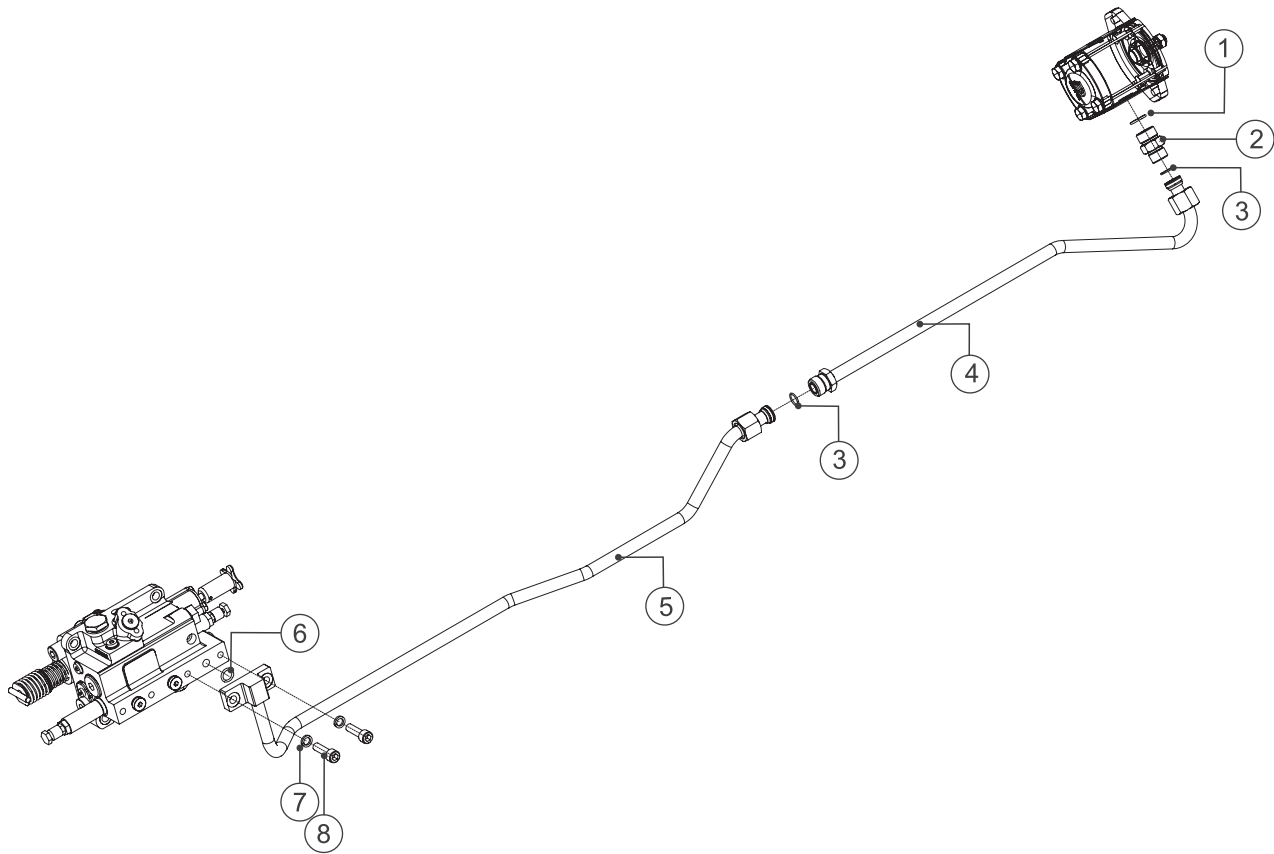


SUCTION PIPE ASSEMBLY - POWER STEERING

M&M Part Number	Ref.	Description of Part	Quantity		Remarks / Service Bulletin No.
			3DI	4DI	
000020307E05	1	BOLT HEXFL M8X1.25X20X8.8	10	10	
007206498V1	2	STRAINER END COVER	1	1	
007205787C1	3	"O" RING 53.57X3.53	2	2	
000013701P04	4	HYD SUCTION STRAINER - PHASE II	1	1	
000013765P04	5	O RING DIA 20.0 X 2.5	1	1	
007206652V11	6	SUCTION PIPE STRAINER TO HOSE ASSLY	1	1	
007208092V91	7	SUCTION HOSE CLIP	1	1	
006004797F1	8	CLIP FOR RADIATOR(GREEN PASSIVATED	1	1	
007206646V11	9	PIPE ASSLY FILTER INLET	1	1	
007202179D1	10	O-RING H-3 SUCTION FILTER HEAD (34.2 X 2)	2	2	
007206475V91	11	FILTER HEAD ASSY	1	1	
007206095V1	12	FILTER MOUNTING BRACKET	1	1	
000020565E05	13	BOLT HEXFL M10X1.5X20.5X10.9	4	4	
007202702C1	14	CANISTER PUROLATOR10MICRON	1	1	
007206677V11	15	TANDEM PUMP INLET ASSLY-4DI	-	1	
007206676V11	15	TANDEM PUMP INLET ASSLY-3DI	1	-	
007205665B1	16	HOSE REDUCER 50 - 35MM	1	1	
007201583D1	17	WORM CLIP 60	1	2	
007202037D1	18	CLAMP PLATE FOR 35 & 16 OD TUBE	2	2	
007202036D1	19	PIPE CLAMP FOR 35 & 16 OD TUBE	2	2	
005555975R1	20	BOLT HEX M5X0.8X15X10.9	4	4	
007206743V1	21	PUMP MOUNTING BRACKET - 3DI	1	1	
005554365R1	22	NUT HEX M10X1.5X8.0X6.6	2	2	
000020307E05	23	BOLT HEXFL M8X1.25X20X8.8	1	1	
007206506V91	24	TANDEM PUMP (12 +8CC/REV)	1	1	
007208275V91	*	TANDEM PUMP SEAL KIT	1	1	
007201869D2	25	SUCTION HOSE	1	1	
007201531B1	26	PINION HYDRAULIC PUMP STEEL	1	1	
E007204062D1	27	GASKET HYDRAULIC PUMP COMPACT	1	1	
006000453H1	28	BOLT M10X55	2	2	
000022273RD	29	WASHER SPRING L M10X18X2.2	1	1	

* Parts Not Illustrated / ‡ Not Serviceable Separately / ◆ Alternate Part Number / A/R As Required

PRESSURE PIPE ASSEMBLY - MECHANICAL

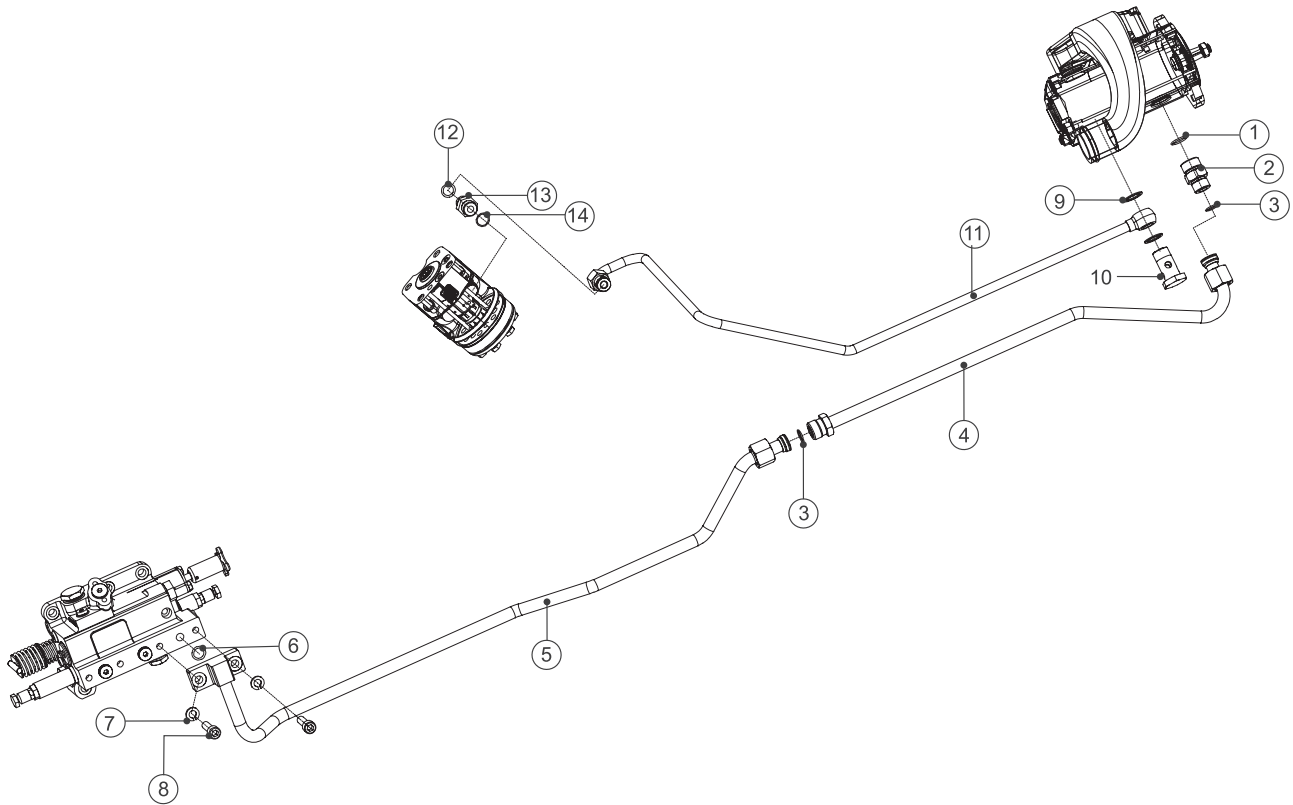


PRESSURE PIPE ASSEMBLY - MECHANICAL

M&M Part Number	Ref.	Description of Part	Quantity		Remarks / Service Bulletin No.
			3DI	4DI	
007205511C1	1	O-RING	1	1	
007205538C1	2	MALE STUD COUPLING 1-14 UNS X M22	1	1	
007205519C1	3	O-RING FACE SEAL	2	2	
007206641V11	4	PRESSURE PIPE ASSLY PUMP END 3DI	1	-	
007206659V11	4	PRESSURE PIPE ASSLY PUMP END 4DI	-	1	
007206640V11	5	PRESSURE PIPE CONTROL VALVE END ASSY	1	1	
007204955C1	6	O RING 1394X262	1	1	
000022273RD	7	WASHER SPRING L M10X18X2.2	2	2	
007205397B1	8	ALLEN BOLT M10 X 1.5 X 30	2	2	

* Parts Not Illustrated / ‡ Not Serviceable Separately / ♦ Alternate Part Number / A/R As Required

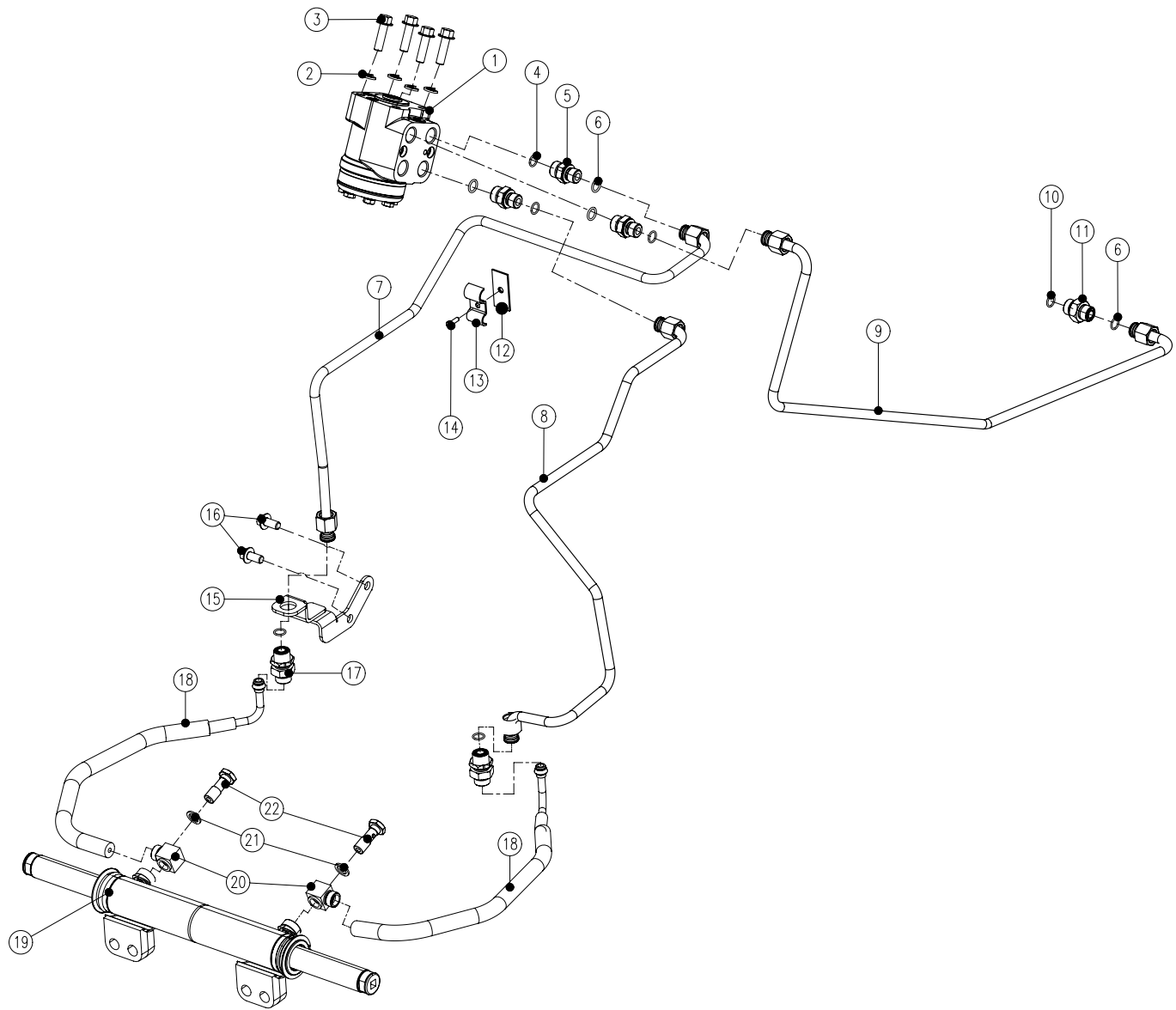
PRESSURE PIPE ASSEMBLY - POWER STEERING



PRESSURE PIPE ASSEMBLY - POWER STEERING

M&M Part Number	Ref.	Description of Part	Quantity		Remarks / Service Bulletin No.
			3DI	4DI	
007205511C1	1	O-RING	1	1	
007205538C1	2	MALE STUD COUPLING 1-14 UNS X M22	1	1	
007205519C1	3	O-RING FACE SEAL	2	2	
007206641V11	4	PRESSURE PIPE ASSLY PUMP END 3DI	1	-	
007206659V11	4	PRESSURE PIPE ASSLY PUMP END 4DI	-	1	
007206640V11	5	PRESSURE PIPE CONTROL VALVE END ASSY	1	1	
007204955C1	6	O RING 1394X262	1	1	
000022273RD	7	WASHER SPRING L M10X18X2.2	2	2	
007205397B1	8	ALLEN BOLT M10 X 1.5 X 30	2	2	
007203087D1	9	DOWTY WASHER M18	2	2	
E007205496D1	10	BANJO BOLT M18X1.5X30mm	1	1	
007206700V91	11	PRESSURE PIPE ASSY PUMP TO HSU - 3DI	1	-	
007206732V91	11	PRESSURE PIPE ASSY PUMP TO HSU - 4DI	-	1	
007205518C1	12	O-RING 12.42 X 1.78	1	1	
007205537C1	13	MALE STUD COUPLING 13/16-16 UN M18	1	1	
007205510C1	14	O-RING 15.3 X 2.2	1	1	

PIPE ROOTING ASSEMBLY - POWER STEERING

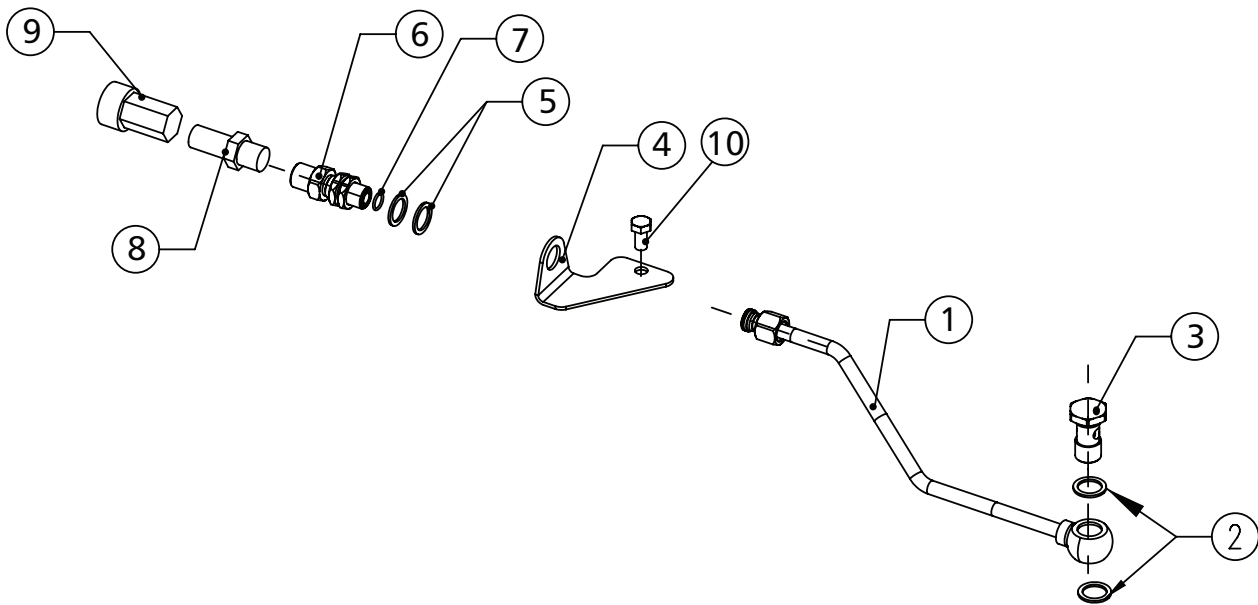


PIPE ROOTING ASSEMBLY - POWER STEERING

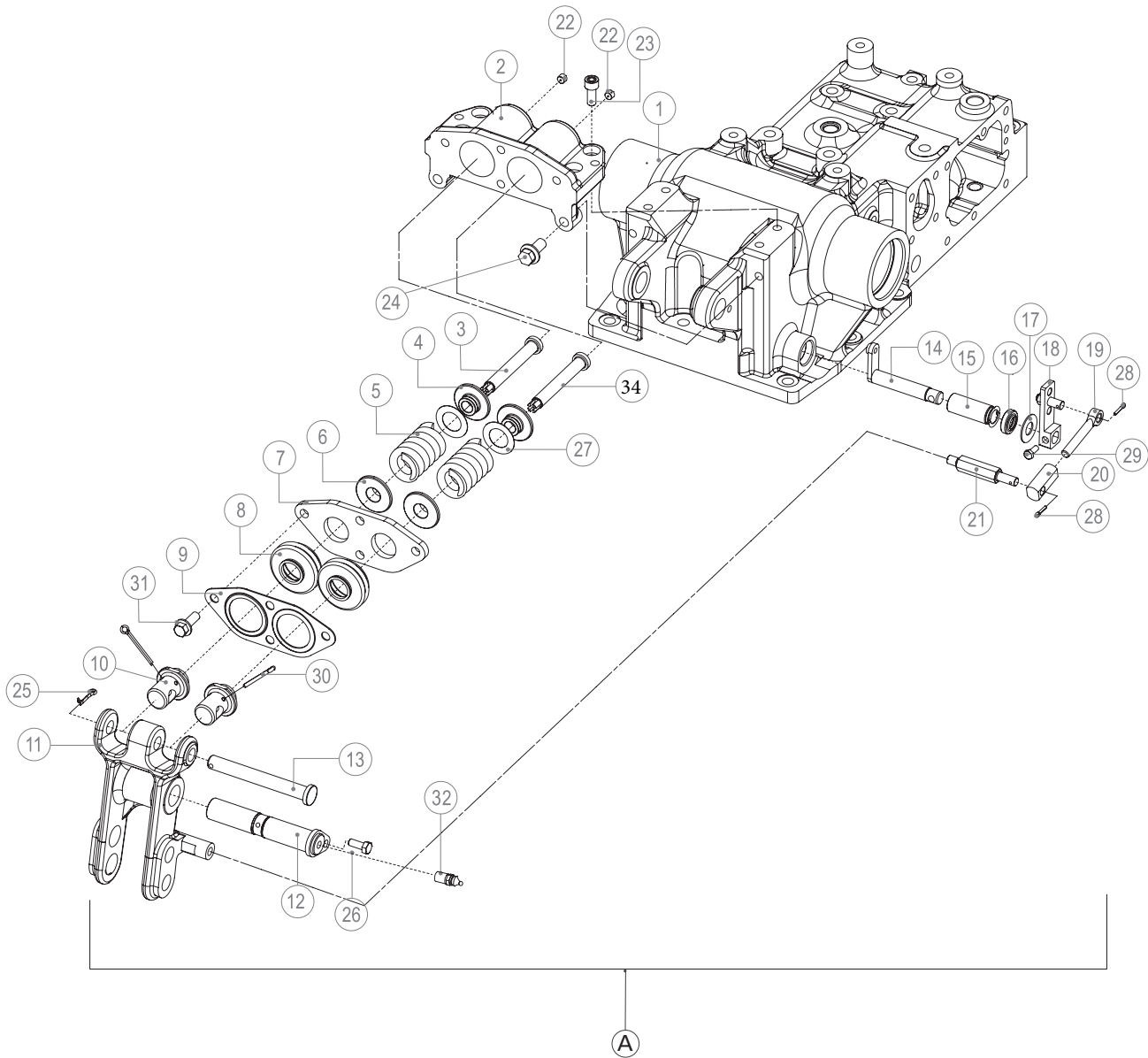
M&M Part Number	Ref.	Description of Part	Quantity		Remarks / Service Bulletin No.
			3DI	4DI	
007206940V91	1	HYDROSTATIC STEERING UNIT	1	1	
000020314E05	2	BOLT HEXFL M10X1.5X35.5X8.8	4	4	
000022273RD	3	WASHER M10	4	4	
007205510C1	4	O-RING 12.42 X 1.78	3	3	
007205537C1	5	MALE STUD COUPLING 13/16-16 UN M18	3	3	
007205518C1	6	O-RING 12.42 X 1.78	6	6	
007209485V11	7	PIPE ASSLY HSU TO STEERING RH	1	1	
007209486V11	8	PIPE ASSLY HSU TO STEERING LH	1	1	
007206714V91	9	HSU RETURN PIPE ASSEMBLY	1	1	
E007204866D1	10	DOWTY WASHER M20 X 1.5	1	1	
007206232C1	11	BULK HEAD UNION	1	1	
007201608D1	12	CLAMP PLATE 1 -H3	1	1	
007201577D1	13	PIPE CLAMP 3 -H3	1	1	
005555975R1	14	BOLT HEX M5X0.8X15X10.6	1	1	
007209536V1	15	PS PIPE BRACKET RH	1	1	
000020565E05	16	BOLT HEXFL M10X1.5X20.5X10.9	2	2	
007208981C91	17	BULK HEAD UNION WITH NUT FOR HSU PIPE MTG	2	2	
007209489V11	18	HOSE ASSEMBL RH&LH 3DI	2		
007209490V11	18	HOSE ASSEMBL RH&LH 4DI	2	2	
007209031V11	19	STEERING CYLINDER WIPRO	1	1	
007209491V11	19	STEERING CYLINDER OGNIBENE	1	1	
007202226D1	20	BANJO BODY FOR M14 BANJO BOLT	2	2	
006011056B1	21	WASHER SEAL CU G14.22X20.73X2.03	2	2	
007202225D1	22	M14 BANJO BOLT FOR 2 WD	2	2	

* Parts Not Illustrated / ‡ Not Serviceable Separately / ◆ Alternate Part Number / A/R As Required

TIPPING TRAILOR



DRAFT SENSING ON LIFT ASSY

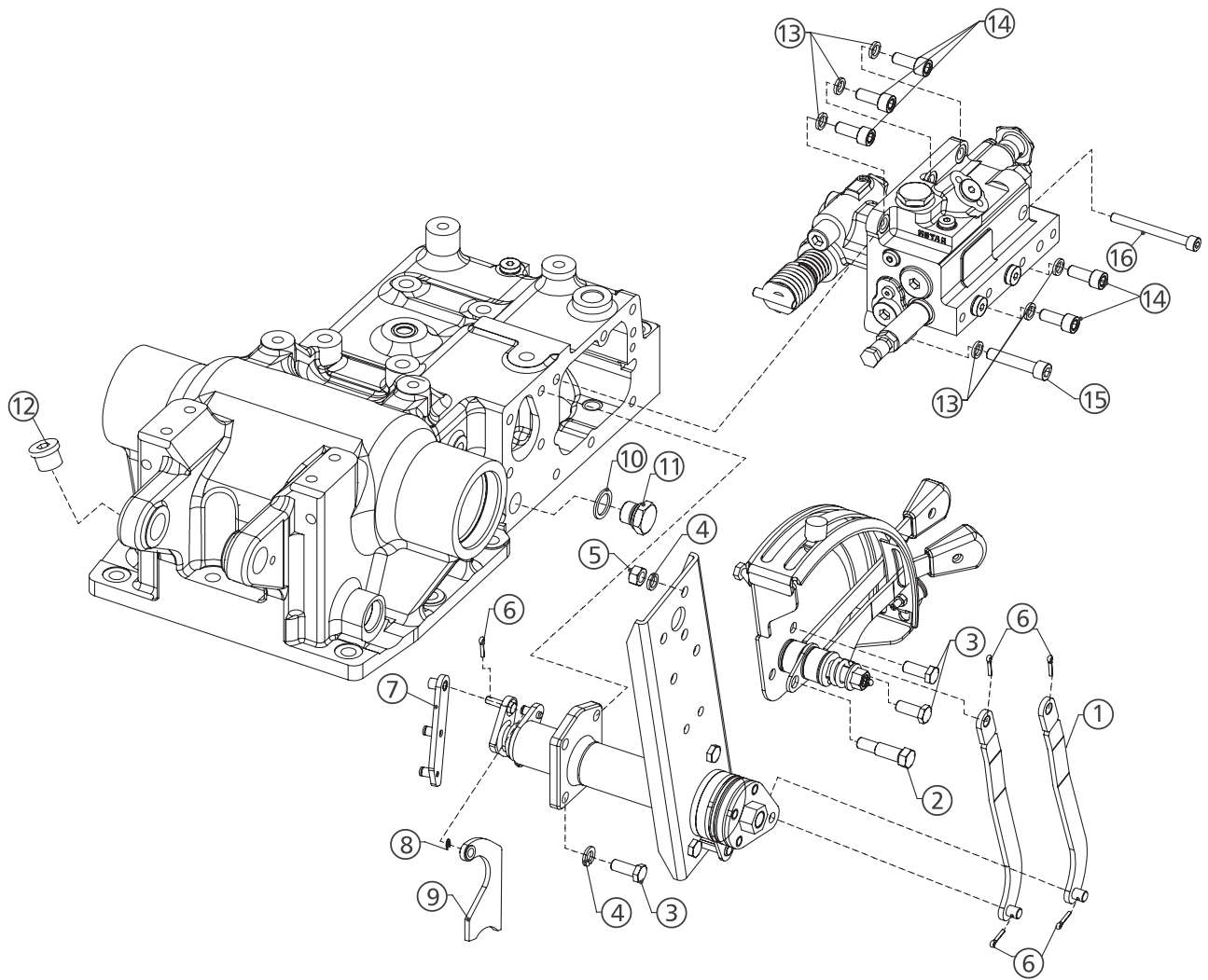


DRAFT SENSING ON LIFT ASSY

M&M Part Number	Ref.	Description of Part	Quantity		Remarks / Service Bulletin No.
			3DI	4DI	
007206275V91	A	HYDRAULIC LIFT HOUSING ASSEMBLY	1	1	
007206274V2	1	HYDRAULIC LIFT HOUSING	1	1	
007207745V2	2	SPRING HOUSING	1	1	
007207402V1	3	SPINDLE DRAFT	2	2	
007207404V1	4	SEAT BOTTOM DC	2	2	
007207400V1	5	DRAFT SPRING 66.5KG	2	2	
007207362V1	6	SEAT SPRING OUTER DC	2	2	
007207411V11	7	COVER PLATE SPRING HOUSING	1	1	
007207418V1	8	BELLOW DC	2	2	
007207419V1	9	PLATE BELLOW	1	1	
007207416V1	10	EXTENSION DC	2	2	
007207468V1	11	BELL CRANK	1	1	
007206446V12	12	PIN CRANK TOP LINK CPT	1	1	
007207408V1	13	PIN STANDARD HEADED	1	1	
007206456V11	14	DC FEEDBACK INNER ROCKER ASSEMBLY	1	1	
007206484V1	15	BUSH DC FEED BACK	1	1	
007200609A91	16	DC PLUNGER OIL SEAL - THREE LIP	1	1	
007203267B1	17	SPACER DC OILSEAL	1	1	
007206480V91	18	DC FEED BACK OUTER ROCKER	1	1	
007206449V1	19	DC FEED BACK OUTER LINK	1	1	
007206455V1	20	DC OUTER BLOCK	1	1	
007206346V1	21	HEXAGONAL STEP DC FEEDBACK BCLT	1	1	
000444687	22	PLUG 1/8-27 NPTF	2	2	
006001974B1	23	SCREW SOCKET M10X1.5X25X10.9	4	4	
000020314E05	24	BOLT HEX FL M10X1.5X35.5X8.8	2	2	
000103408	25	PIN COTTER G4.7625X31.75	1	1	
000020307E05	26	BOLT HEX FL M8X1.25X20X8.8	1	1	
007206628V1	27	SHIM 25X42X1	1	1	
007206629V1	27	SHIM 25X42X0.15	1	1	
007206630V1	27	SHIM 25X42X0.5	1	1	
000103384	28	PIN COTTER 63.175X19.05	2	2	
000020311E05	29	BOLT HEX FL M6X1.00X16.5X8.8	1	1	
000103386	30	PIN COTTER 63.175X31.75	2	2	
007206788C1	31	FLG HEAD HEX BOLT M10 X 1.5	4	4	
001121584R1	32	GREASE NIPPLE	1	1	
50.130	33	CABLE TIE	2	2	
009208171V1	34	DC SPRING STOPPER	1	1	

* Parts Not Illustrated / ‡ Not Serviceable Separately / ◆ Alternate Part Number / A/R As Required

QUADRANT & CONTROLVALVE ASSY ON LIFT ASSY

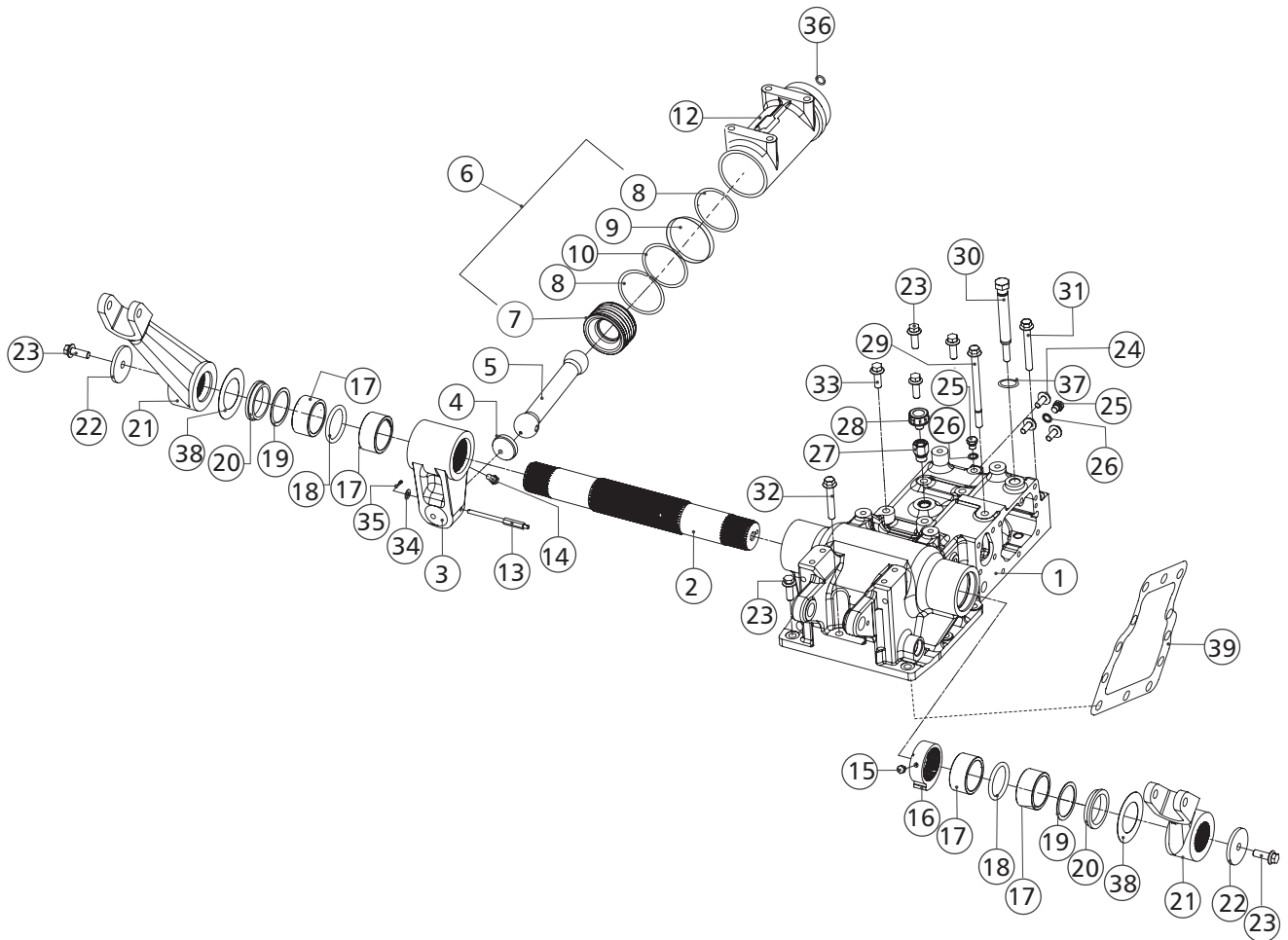


QUADRANT & CONTROLVALVE ASSY ON LIFT ASSY

M&M Part Number	Ref.	Description of Part	Quantity		Remarks / Service Bulletin No.
			3DI	4DI	
007209377V11	1	CONNECTING LINK ASSEMBLY	2	2	
007207631C1	2	STEP BOLT M10 X 1.5 X 8.0 X 46 L	1	1	
000030020R1	3	BOLT HEX M10 X1.5 X25X8.8	4	4	
005555988R1	4	WASHER SPRING L M10 X 18 X 2.2	7	7	
005554365R1	5	NUT HEX M10 X 8.0 X 6.6	3	3	
000103384	6	PIN COTTER G3.175 X 19.05	5	5	
007204703C11	7	DC ACTUATING LINK CPTC.	1	1	
000013483P04	8	CIRCLIP EXTERNAL 5 MM	1	1	
007204705C11	9	LINK ACTUATING PC CPTC	1	1	
E007204866D1	10	DOWTY WASHER M20 X 1.5	1	1	
007206406C1	11	PLUG M20 X 1.5	1	1	
000013360P04	12	HOLLOW HEX. PLUG M22 X 1.5	1	1	
007207540C1	13	WASHER PLAIN M10 X 1.87 X 2.0	6	6	
007205397B1	14	ALLEN BOLT M10 X 1.5 X 30	6	6	
007207081C1	15	BOLT ALLEN M10 X 1.5M X 60 GRADE 10.9	1	1	
007205282C1	16	ALLEN BOLT M8 X 1.25 X 80 MM	1	1	
000120394	17	WASHER PLAN G10.312X20.396X	2	2	
007208626V1	18	BOLT HEX M10X1520X8.8	2	2	
007210417V1	*	LOCTITE 515	3.2ml	3.2ml	

* Parts Not Illustrated / ‡ Not Serviceable Separately / ◆ Alternate Part Number / A/R As Required

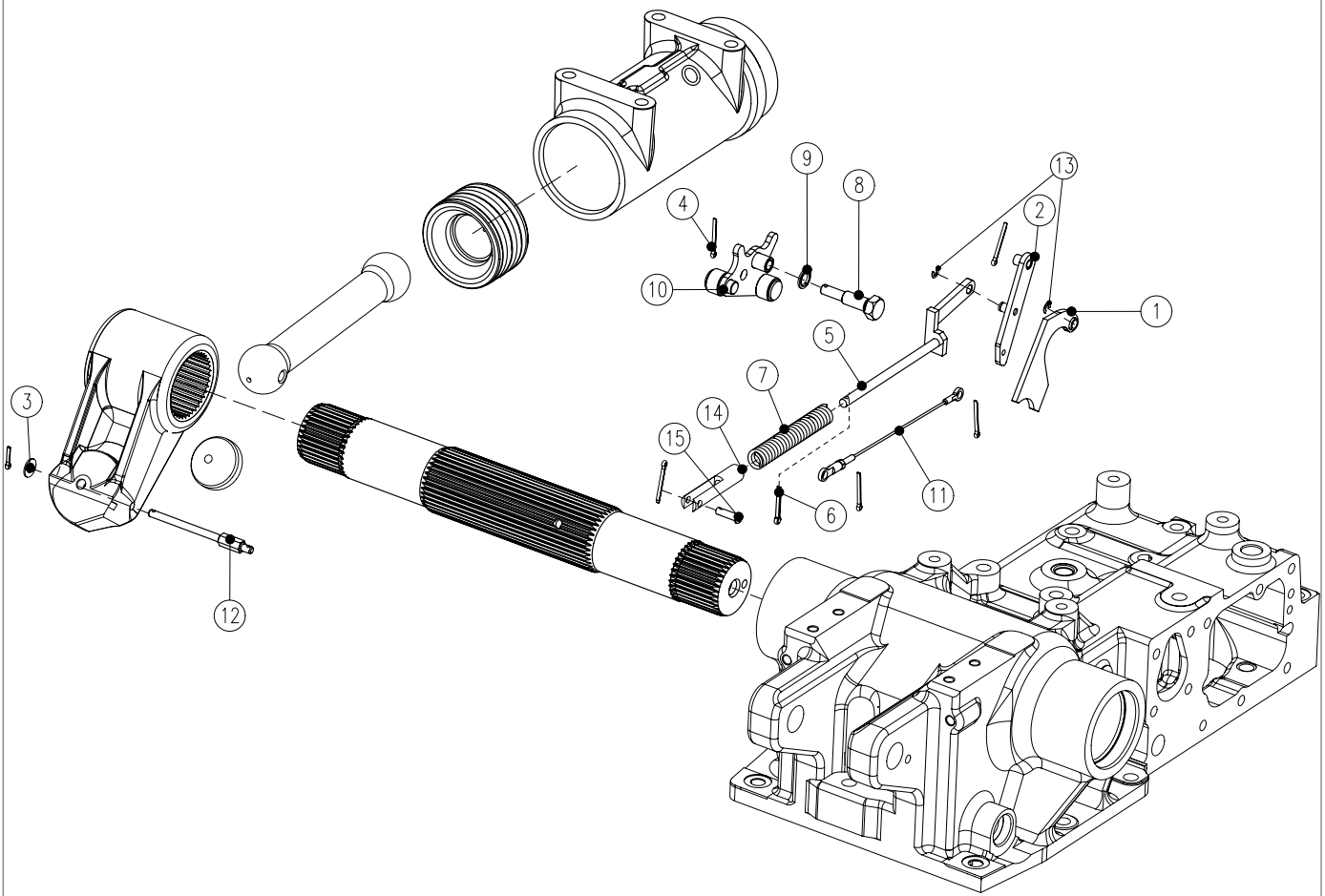
POWER TRAIN



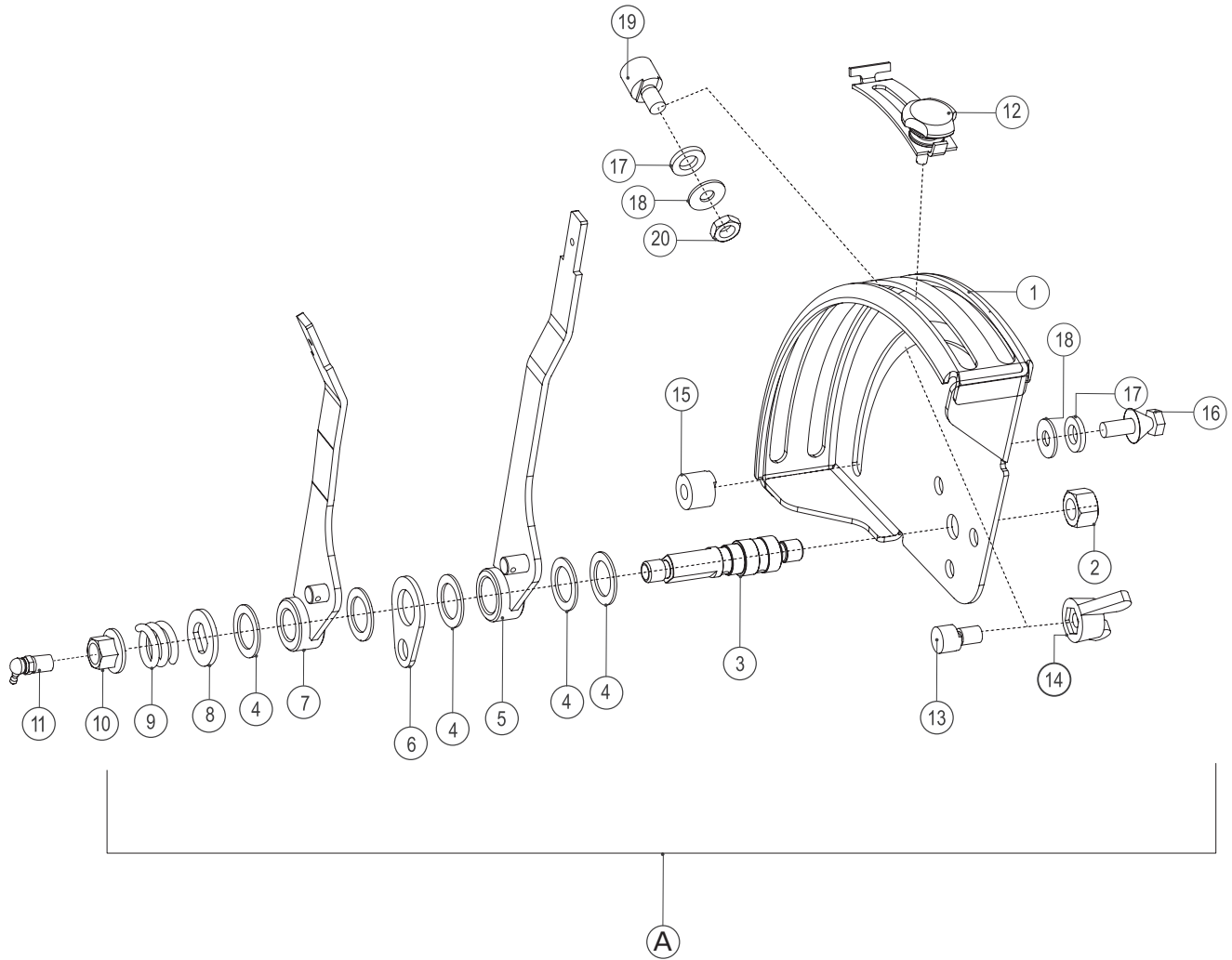
M&M Part Number	Ref.	Description of Part	Quantity		Remarks / Service Bulletin No.
			3DI	4DI	
007206274V1	1	HYDRAULIC LIFT HOUSING	1	1	
007206082V1	2	ROCKSHAFT	1	1	
007209678V1	3	ROCKER ARM HYDRAULIC	1	1	
003046977R2	4	BUSH CON ROD	1	1	
007200413A1	5	ROD CONNECTING HYDRAULIC	1	1	
007207399V91	6	PISTON ASSY DIA 85 MM	1	1	
007207398V1	7	PISTON HYDRAULIC 85MM DIA	1	1	
005554403R1	8	RING G 85.72 CYLINDER BEARING	2	2	
005554402R1	9	RING OUTER SEAL	1	1	
005554401R1	10	RING SEAL RECTANGULAR SECTION	1	1	
‡	11	BUSH PISTON	1	1	
007206044V1	12	HYDRAULIC CYLINDER 85MM BORE	1	1	
007207408V1	13	PIN STANDARD HEADED	1	1	
001231563R1	14	BOLT HYD ROCKER ARM	1	1	
007205866C1	15	BOLT CAM	1	1	
007204632C1	16	CAM PC	1	1	
001231718R1	17	BUSH (SLEEVE) ROCKSHAFT	4	4	
007207488C1	18	O—RING ROCKSHAFT	2	2	
003044372R1	19	WASHER ROCKSHAFT	2	2	
007207489C1	20	OIL SEAL ROCKSHAFT	2	2	
001127628R2	21	LIFT ARM	2	2	
000708922R3	22	PLATE LIFT ARM RETAINING	2	2	
000016469P04	23	BOLT HEXFL M12X1.75X35X10.9	15	15	
007206788C1	24	FLANGED HEX. HEAD BOLT M10 X 1.5 X 25	3	3	
007205590C1	25	PLUG M12 X 1.5	2	2	
007205248C1	26	WASHER DOWTY M12	2	2	
007207274V1	27	ADAPTOR 3/8 " BSP MALE & FEMALE PORT	1	1	
007207862D91	28	BREATHER	1	1	
007205763C1	29	BOLT HEX—HEADED FLANGED N12X1.75X163	1	1	
007205750C1	30	BOLT VTU MOUNTING	1	1	
007206657V1	31	HEX HEADED FLANGED V12X1.75X95	1	1	
007206656V1	32	HEX HEADED FLANGED BOLT V12X1.75X75	1	1	
000013899P04	33	BOLT HEX FL V12X1.75X55X10.9	2	2	
000120393	34	WASHER PLN .343 X .687 X .051	1	1	
000103384	35	PIN COTTER G3.175X19.05	2	2	
007204955C1	36	O RING 10,770X2,62 \BR	1	1	
007205755C1	37	RUBBER BUSH	1	1	
007208715V1	38	SPACER LIFT ARM	2	2	
007206445V1	39	GASKET VTU INTERFACE	1	1	

* Parts Not Illustrated / ‡ Not Serviceable Separately / ◆ Alternate Part Number / A/R As Required

LIFT ARM ASSEMBLY



QUADRANT ASSEMBLY UPPER

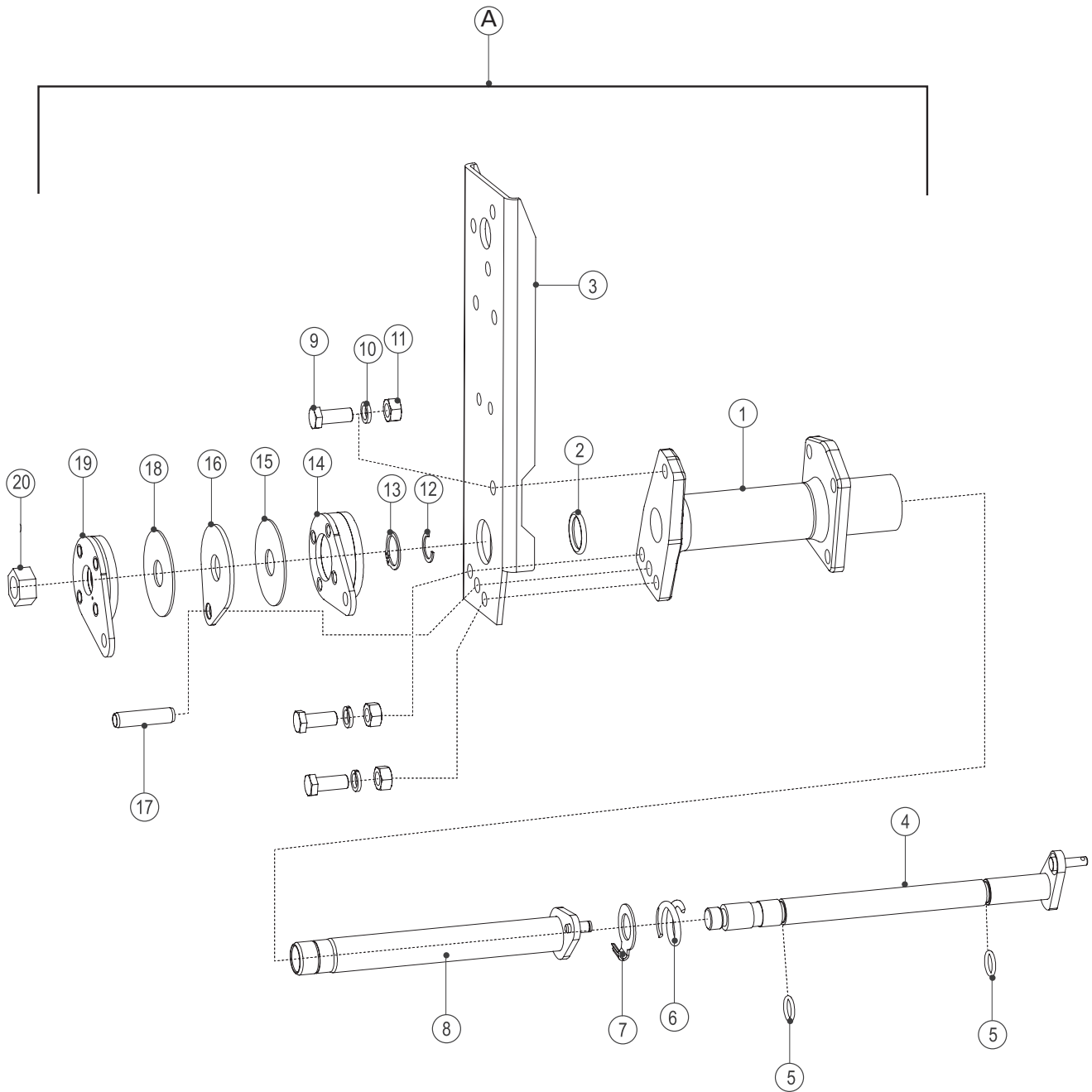


QUADRANT ASSEMBLY UPPER

M&M Part Number	Ref.	Description of Part	Quantity		Remarks / Service Bulletin No.
			3DI	4DI	
007206773V91	A	QUADRANT ASSEMBLY UPPER	1	1	
007205625C11	1	QUADRANT PLATE ASSEMBLY	1	1	
000016198P04	2	LOCK NUT M12	1	1	
007207992V1	3	QUADRANT PIN	1	1	
007207993V1	4	FRICTION WASHER 20.25 X 30 X 1.5	5	5	
007206784V11	5	PC LEVER ASSEMBLY	1	1	
007207630C1	6	LOCK PLATE PC LEVER	1	1	
007206859V11	7	DC LEVER ASSEMBLY	1	1	
000012909P04	8	WASHER PCDC	1	1	
007207159C1	9	SPRING UPPER QUADRANT	1	1	
007535360D1	10	FLANGED NUT M12	1	1	
007602043C1	11	GREASE NIPPLE M6	1	1	
007206178C91	12	DC SLIDER ASSEMBLY	1	1	
‡	13	CONTROL LEVER STOP MSTAR	1	1	
001231334R91	14	STOP NUT CONTROL LEVER	1	1	
007202828B1	15	PC LEVER STOP UPGRADATION	1	1	
001231009R2	16	BOLT PC STOPPER	1	1	
H00120394	17	WASHER PLAIN 10.318 X 20.637MM 16G	2	2	
001082360R3	18	WASHER 3/8 SPRING LOCK - PLATED	2	2	
003044388R2	19	CONTROL LEVER STOP	1	1	
H00120377	20	NUT 3/8 UNC PLATED	1	1	

* Parts Not Illustrated / ‡ Not Serviceable Separately / ♦ Alternate Part Number / A/R As Required

QUADRANT ASSEMBLY LOWER

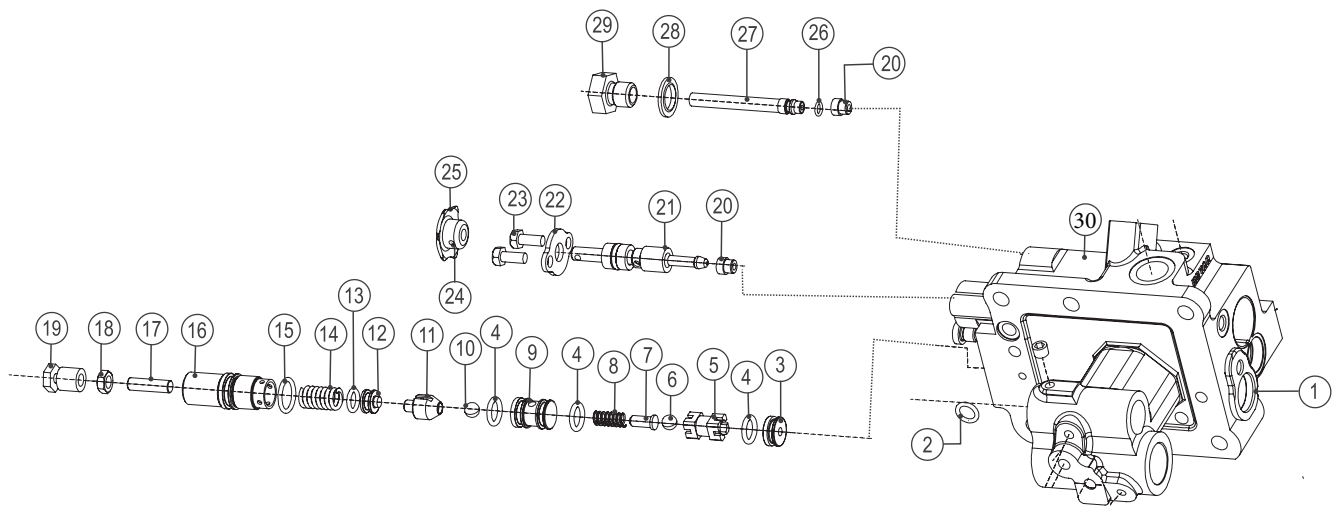


QUADRANT ASSEMBLY LOWER

M&M Part Number	Ref.	Description of Part	Quantity		Remarks / Service Bulletin No.
			3DI	4DI	
007205994V91	A	QUADRANT ASSEMBLY LOWER	1	1	
007205670C1	1	BRACKET CONTROL LEVER	1	1	
000350818R1	2	O RING 1 X 1/4 X 1/8	1	1	
007206270V1	3	QUADRANT BRACKET	1	1	
007205691C11	4	CRANK SHAFT ASSEMBLY DRAFT CONTROL	1	1	
000377952R1	5	O RING 9/16 X 3/4 X 3/32	2	2	
007200949E1	6	QUADRANT SPRING	1	1	
003044886R1	7	WASHER TAB 1	1	1	
007205692C11	8	SLEEVE PC CPTE	1	1	
000030020R1	9	BOLT M10 X 1.5 X 25L	3	3	
005555988R1	10	WASHER M10 SPRING LOCK	3	3	
005554365R1	11	NUT M10 X 1.5 PITCH	3	3	
001099853R1	12	CIRCLIP EXTERNAL 19MM	1	1	
000704589R1	13	CIRCLIP EXTERNAL 24MM	1	1	
007205679C91	14	PC LEVER CRANK CPTE	1	1	
007202562B1	15	FRICTION DISC PC	1	1	
007207612C1	16	RETAINER PLATE	1	1	
003044397R1	17	DISC FRICTION DC LEVER	1	1	
007205880C1	18	SLOTTED SPRING PIN	1	1	
007205682C91	19	DC LEVER CPTE	1	1	
000124589	20	NUT "5/8" UNC PLTD	1	1	

* Parts Not Illustrated / ‡ Not Serviceable Separately / ◆ Alternate Part Number / A/R As Required

CONTROL VALVE ASSEMBLY

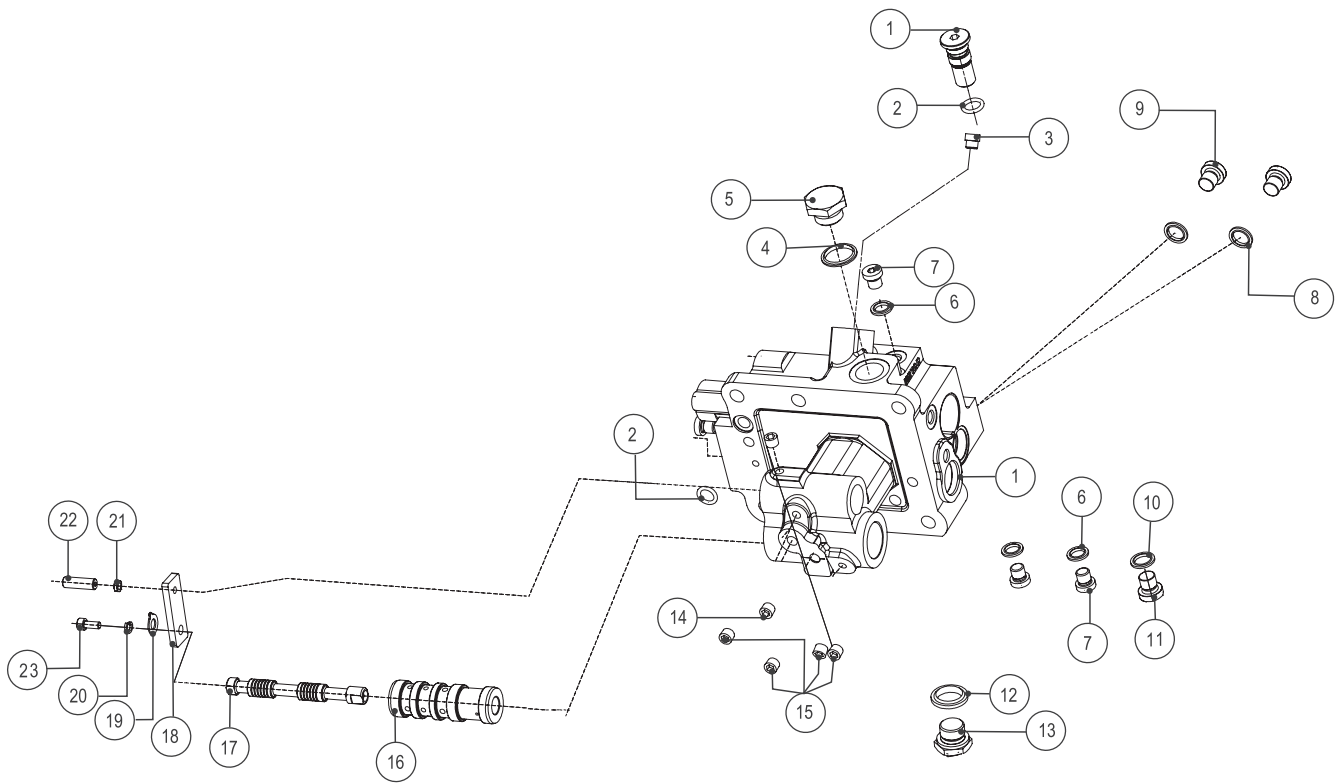


CONTROL VALVE ASSEMBLY

M&M Part Number	Ref.	Description of Part	Quantity		Remarks / Service Bulletin No.
			3DI	4DI	
007207259C91	1	MANIFOLD CONTROL VALVE	1	1	
003067183R1	2	O-RING 7/16 X 5/8 X 3/32	3	3	
007205598C1	3	SEAT CHECK VALVE	1	1	
000377952R1	4	O-RING 9/16X3/4X3/32	3	3	
007206849C1	5	SLEEVE NON RETURN VALVE	1	1	
003072883R1	6	BALL RELIEF VALVE	1	1	
003063495R1	7	RIDER BALL NON RETURN VALVE	1	1	
003074227R2	8	SPRING NON RETURN VALVE	1	1	
007207857C1	9	SEAT SHOCK LOAD RV	1	1	
000016293P04	10	STEEL BALL G 6.35 MM	1	1	
007207861C1	11	BALL RIDER / SEAT SPRING SLRV	1	1	
007204994C1	12	SPACER RV / SPACER COMPANSATOR PLUG	1	1	
003067183R1	13	O-RING 7/16 X 5/8 X 3/32	3	3	
007207746C1	14	SPRING SLRV	1	1	
007204997C1	15	O-RING 17.96X2.62	2	2	
007206218C1	16	ADJUSTABLE HOUSING SHOCK LOAD RV	1	1	
007202853C1	17	GRUB SCREW M8X1X25 ADJUSTABLE RELIEF VALVE	1	1	
007202851C1	18	NUT ADJUSTABLE M8 X 1 RELIEF VALVE	3	3	
007206206C1	19	DOME NUT RELIEF VALVE	1	1	
007206618C1	20	SEAT ISOLATOR VALVE	2	2	
007206793C91	21	LOWERING SPEED CONTROL VALVE	1	1	
007206222C1	22	PLATE ISOLATING VALVE	1	1	
000180018	23	BOLT 1/4 UNC X 5/8 HX HD	2	2	
000017047R1	24	PIN SPRING DOWEL	1	1	
003045113R2	25	KNOB ISOLATING VALVE	1	1	
000384937R1	26	O-RING 1/4X3/8X1/16	3	3	
003047294R95	27	ORIFICE ASSY	1	1	
H03045118R1	28	DOWTY WASHER 5/8"	1	1	
000751580R3	29	BOLT NEEDLE VALVE COVER	1	1	
007207575V91	30	ASSEMBLY CONTROL VALVE	1	1	

* Parts Not Illustrated / ‡ Not Serviceable Separately / ◆ Alternate Part Number / A/R As Required

CONTROL VALVE ASSEMBLY

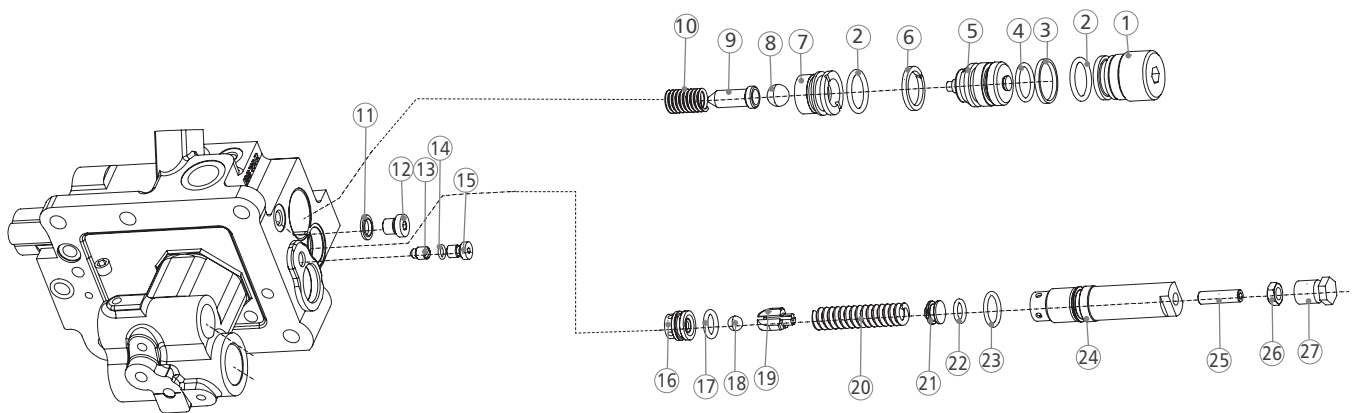


CONTROL VALVE ASSEMBLY

M&M Part Number	Ref.	Description of Part	Quantity		Remarks / Service Bulletin No.
			3DI	4DI	
007207644C1	1	PLUG SPEED CONTROL	1	1	
003067183R1	2	O RING 15/32 X 21/32 X 3/32	1	1	
007206618C1	3	SEAT ISOLATOR VALVE	2	2	
H00704337R1	4	1/2" WASHER	1	1	
005558124R1	5	1/2" BSP PLUG	1	1	
007205007C1	6	WASHER DOWTY M10	4	4	
007205006C1	7	PLUG M10X1.5	4	4	
007205248C1	8	DOWTY WASHER M12	2	2	
007205590C1	9	HEX PLUG M12 X 1.5	2	2	
007205248C1	10	DOWTY WASHER M12	3	3	
000352026R2	11	SPRING FLOW CONTROL VALVE BALL	1	1	
007206997C1	12	BONDED SEAL M18	1	1	
007205033C1	13	PLUG M18X1.5	1	1	
007206194C1	14	PLUG 1/8 - 27 NPTF WITH 2 MM DRILL	1	1	
007207064C1	15	PLUG 1/8 NPT WITH PRE COATING	5	5	
007204956C1	16	SLEEVE CONTROL VALVE	1	1	
007204976C1	17	SPOOL CONTROL VALVE	1	1	
007206175C1	18	PLATE LOWERING M8	1	1	
001121792R1	19	WASHER TAB TOPLINK CR'FT PLATE	1	1	
005555976R1	20	WASHER SPRING LOCK M5	1	1	
007205033C1	21	NUT ADJUSTABLE	1	1	
007206190C1	22	GRUB SCREW M8X1X25	1	1	
000051038D01	23	ALLEN SCREW M5 X 16 LG	1	1	

* Parts Not Illustrated / ‡ Not Serviceable Separately / ◆ Alternate Part Number / A/R As Required

CONTROL VALVE ASSEMBLY

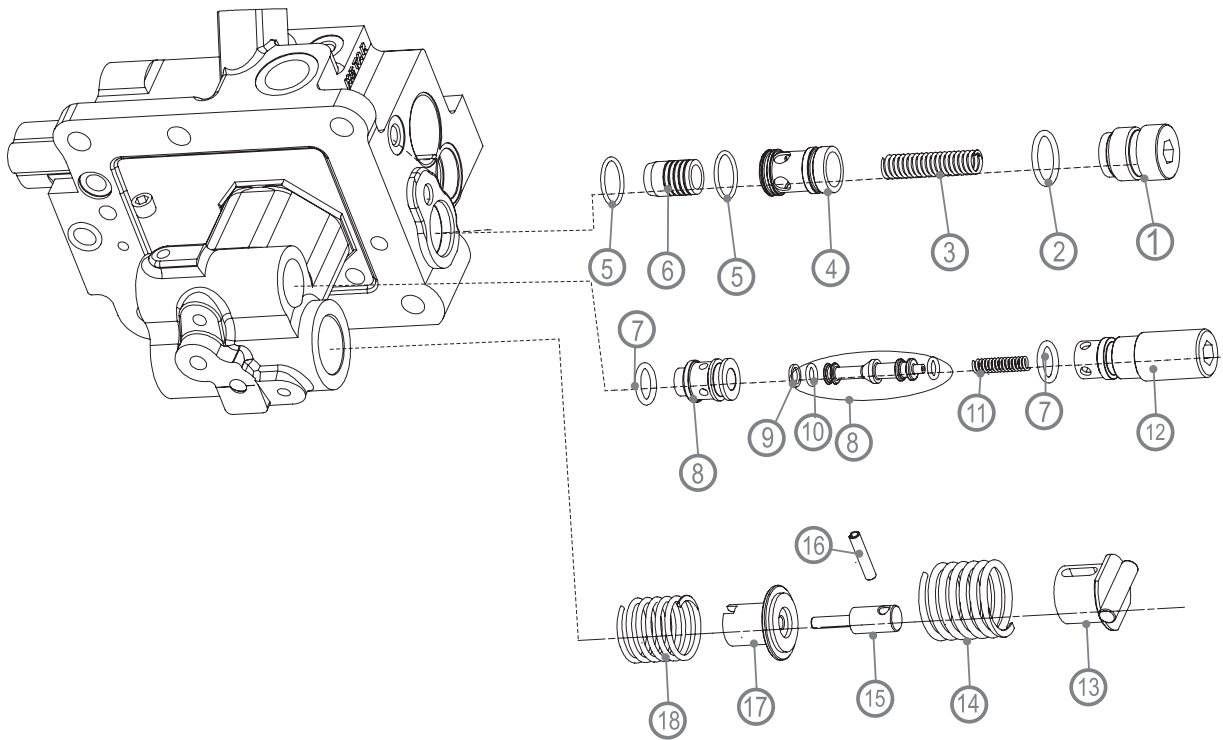


CONTROL VALVE ASSEMBLY

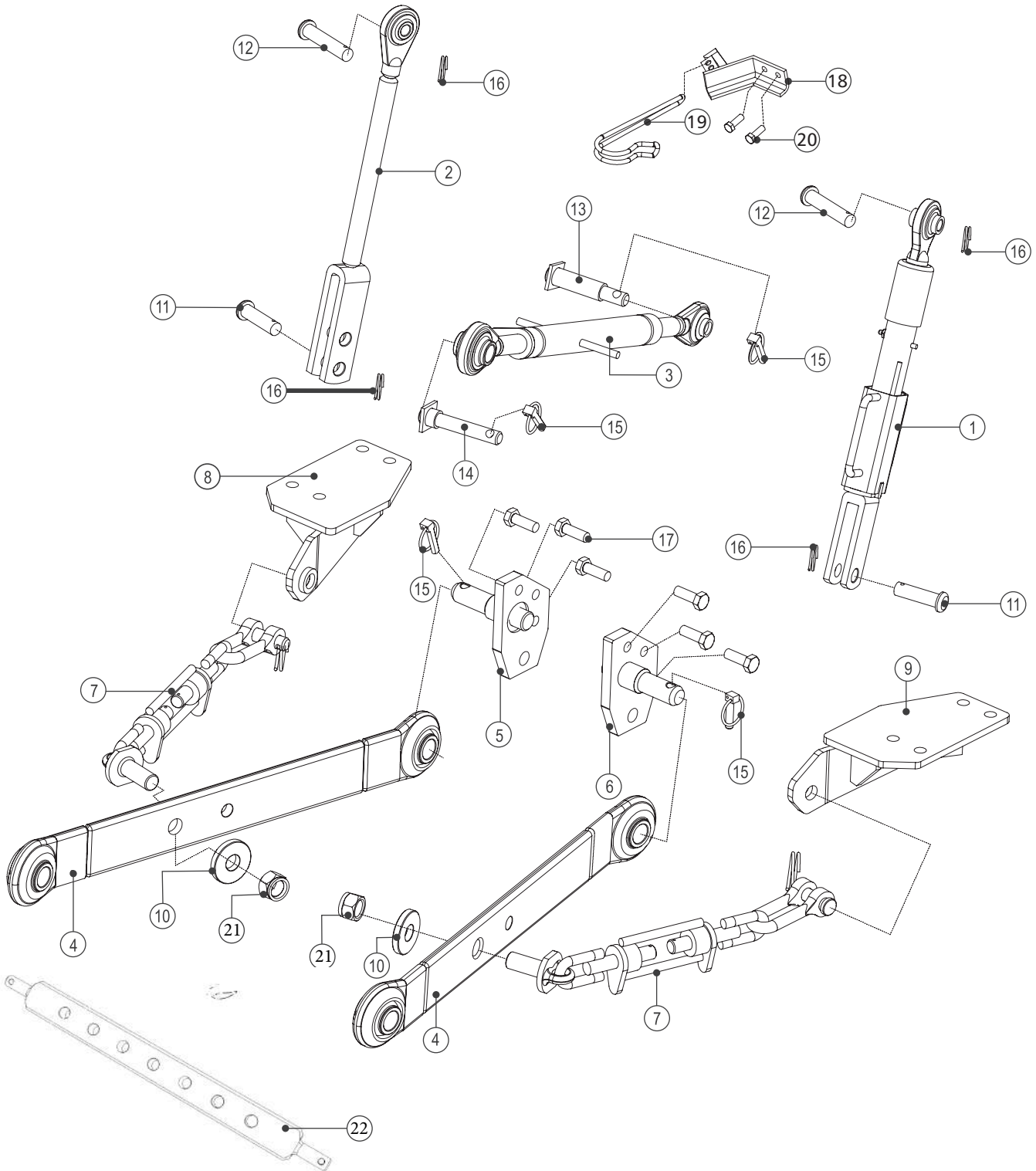
M&M Part Number	Ref.	Description of Part	Quantity		Remarks / Service Bulletin No.
			3DI	4DI	
007205422C1	1	PLUG UNLOADING BORE	1	1	
000704378R1	2	O-RING IMPORTED O RING	2	2	
005557646R1	3	O - RING	1	1	
005557647R1/ 007201599B1	4	GLIDE RING	1	1	
007201178A92	5	HYD REGULATING PISTON ASSY	1	1	
007201180A1	6	BEARING RING (REGULATING PISTON)	1	1	
000050993D01	7	VALVE BALL SEAT	1	1	
003072912R1	8	BALL BEARING - CONTROL VALVE	1	1	
000350084R2	9	RIDER BALL FLOW CONTROL	1	1	
000352026R2	10	SPRING FLOW CONTROL VALVE BALL	1	1	
007205007C1	11	WASHER DOWTY M10	4	4	
007205006C1	12	PLUG M10X1.5	4	4	
000051228D01	13	ORIFICE	1	1	
A00384937R1	14	O-RING 1/4X3/8X1/16	3	3	
007205005C1	15	PLUG M8X1.25	1	1	
007205599C1	16	SEAT RELIEF VALVE	1	1	
H00377952R1	17	O-RING 9/16X3/4X3/32	11	1	
003072883R1	18	BALL RELIEF VALVE	1	1	
003108946R3	19	RIDER RELIEF VALVE BALL	1	1	
000751557R2	20	SPRING RELIEF VALVE	1	1	
007204994C1	21	SPACER RV	1	1	
A03067183R1	22	O-RING 7/16 X 5/8 X 3/32	3	3	
007204997C1	23	O-RING 17.96X2.62	2	2	
007207889C91	24	HOUSING RELIEF VALVE	1	1	
007202853C1	25	GRUB SCREW M8X1X25 ADJUSTABLE RELIEF VALVE	1	1	
007202851C1	26	NUT ADJUSTABLE M8 X 1 RELIEF VALVE	3	3	
005557646R1	27	DOME NUT RELIEF VALVE	1	1	

* Parts Not Illustrated / ‡ Not Serviceable Separately / ◆ Alternate Part Number / A/R As Required

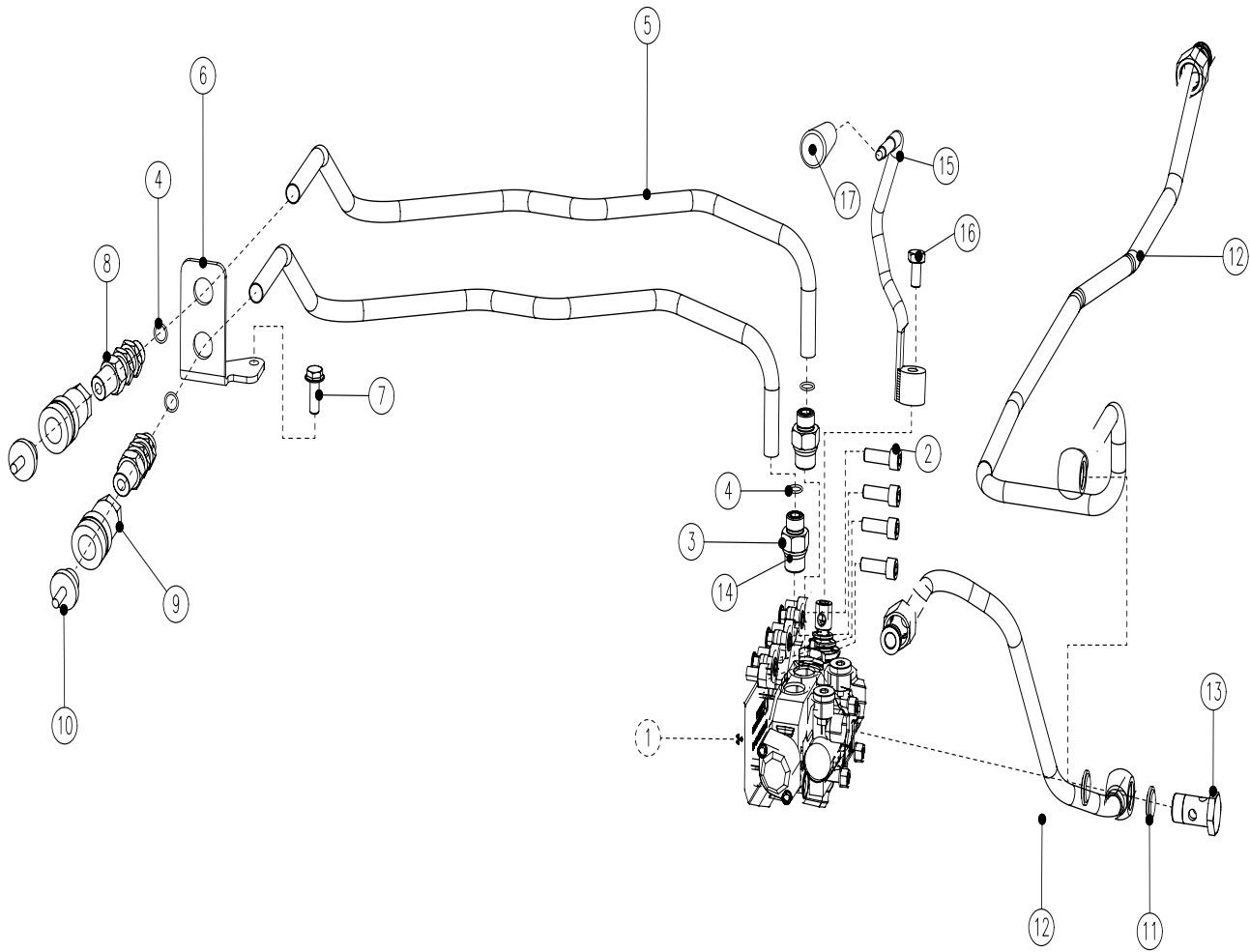
CONTROL VALVE ASSEMBLY



THREE POINT LINKAGES



SINGLE SPOOL AUX VALVE ASSEMBLY

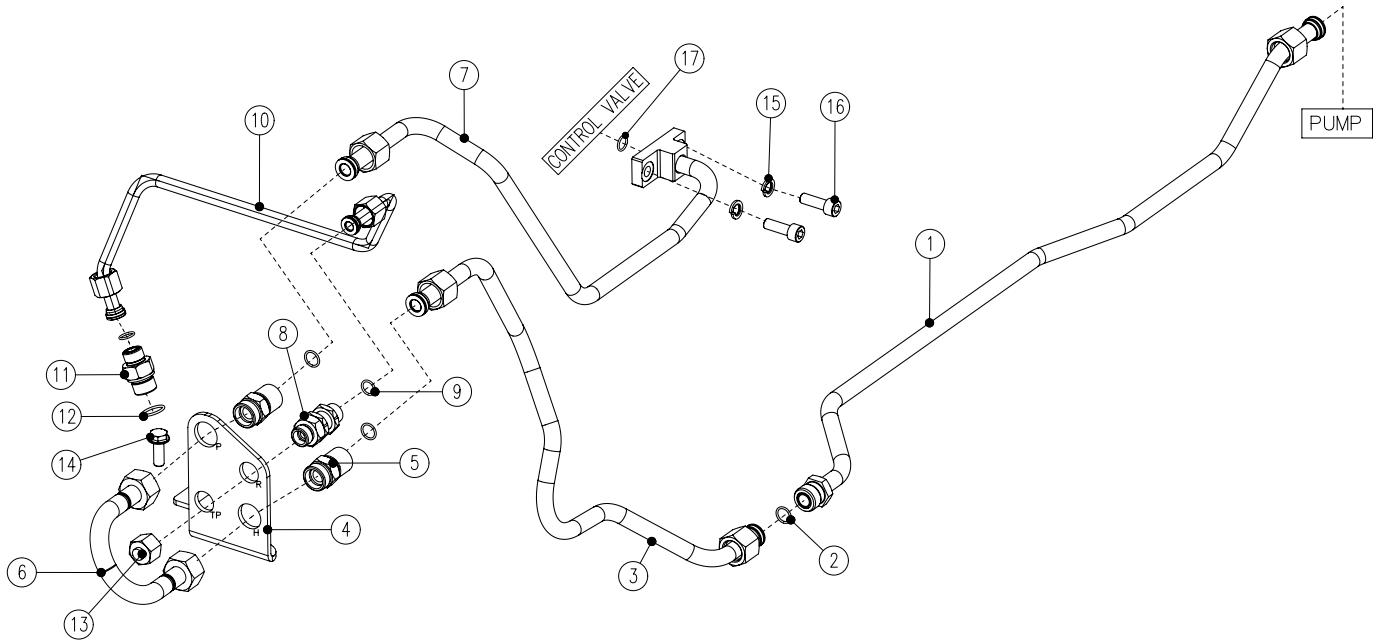


SINGLE SPOOL AUX VALVE ASSEMBLY

M&M Part Number	Ref.	Description of Part	Quantity		Remarks / Service Bulletin No.
			3DI	4DI	
007208708V91		SINGLE SPOOL AUX VALVE ASSEMBLY KIT -DHRUV	1	1	
007207072V91	1	SINGLE SPOOL AUX VALVE ASSEMBLY -DHRUV	1	1	
007205397B1	2	SCREW ALLEN M10X1.5X35	4	4	
007206994C1	3	STUD MALE COUPLING M22X1.5	2	2	
007205518C1	4	O-RING FACE SEALING	4	4	
007209037C11	5	HOSE AUX VALE A & B PORT	2	2	
007207116V1	6	AUXILIARY VALVE HOSE SUPPORT BRACKET	1	1	
007206788C1	7	FLANGE HEADED HEX BOLT M10X1.5X28 GRADE8	1	1	
007206995C1	8	BULK HEAD UNION 13/16-16UNX 1/2NPTF	2	2	
E000051684D01	9	QDC FEMALE NPTF	2	2	
007200874C1	10	QDC FEMALE -END CAP	2	2	
E007206207D1	11	DOWTY WASHER M2 2	2	2	
007208856V11	12	AUX VALVE INLET PRESSURE PIPE ASSEMBLY	1	1	
007206964V91	12	TAUX VALVE INLET PRESSURE PIPE ASSEMBLY (OPTIONAL WITH OUT TRAILER BRA KE)	1	1	
007206636V1	13	BANJO BOLT M22X1.5-6G	1	1	
007205511C1	14	O-RING 19.3 X 2.2	2	2	
008011058V11	15	LEVER AUX ASSEMBLY	1	1	
005552901R1	16	BOLT HEX M10X1.5X20X8.8	1	1	
E007606276D2	17	BLACK KNOB	1	1	

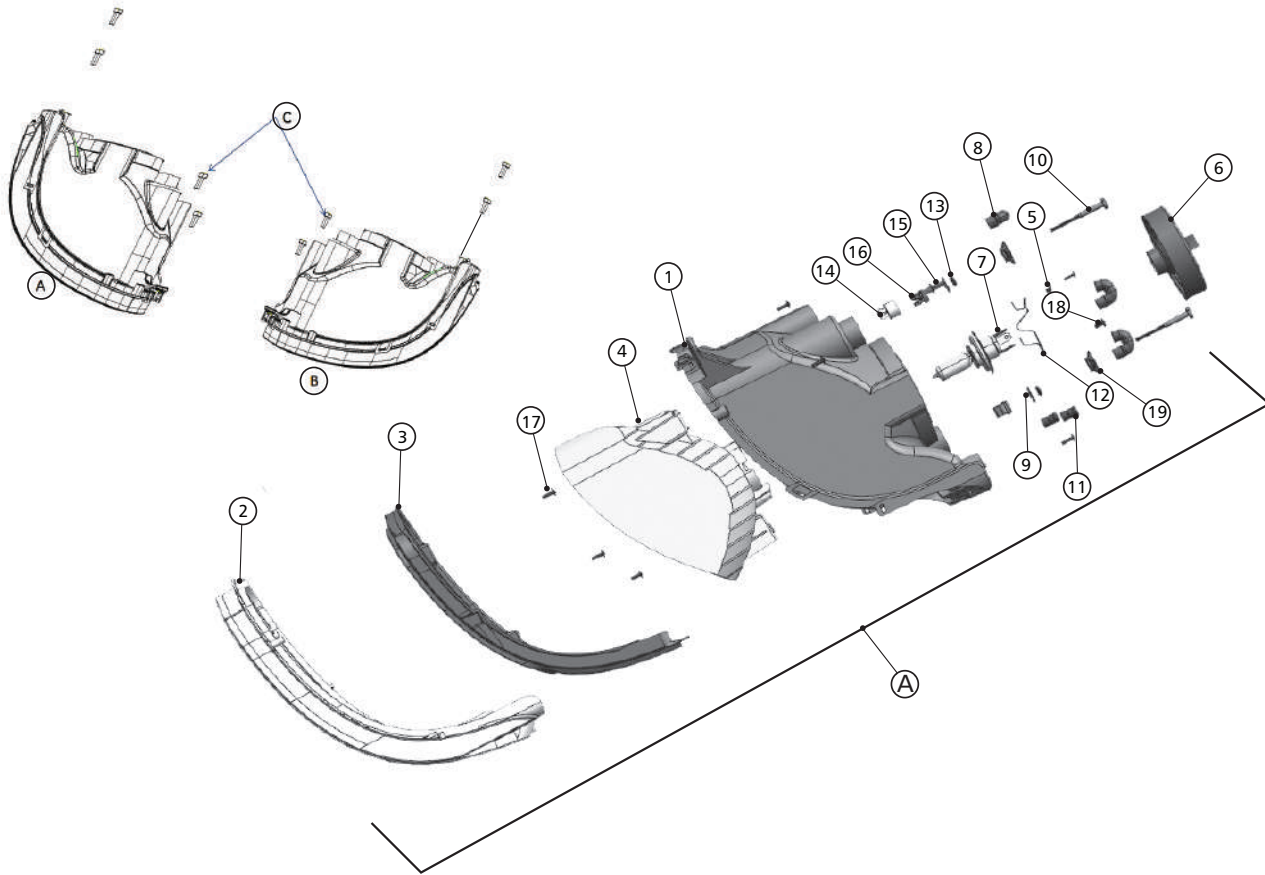
* Parts Not Illustrated / ‡ Not Serviceable Separately / ♦ Alternate Part Number / A/R As Required

TRAILER BRAKE PIPE ASSEMBLY



ELECTRICAL

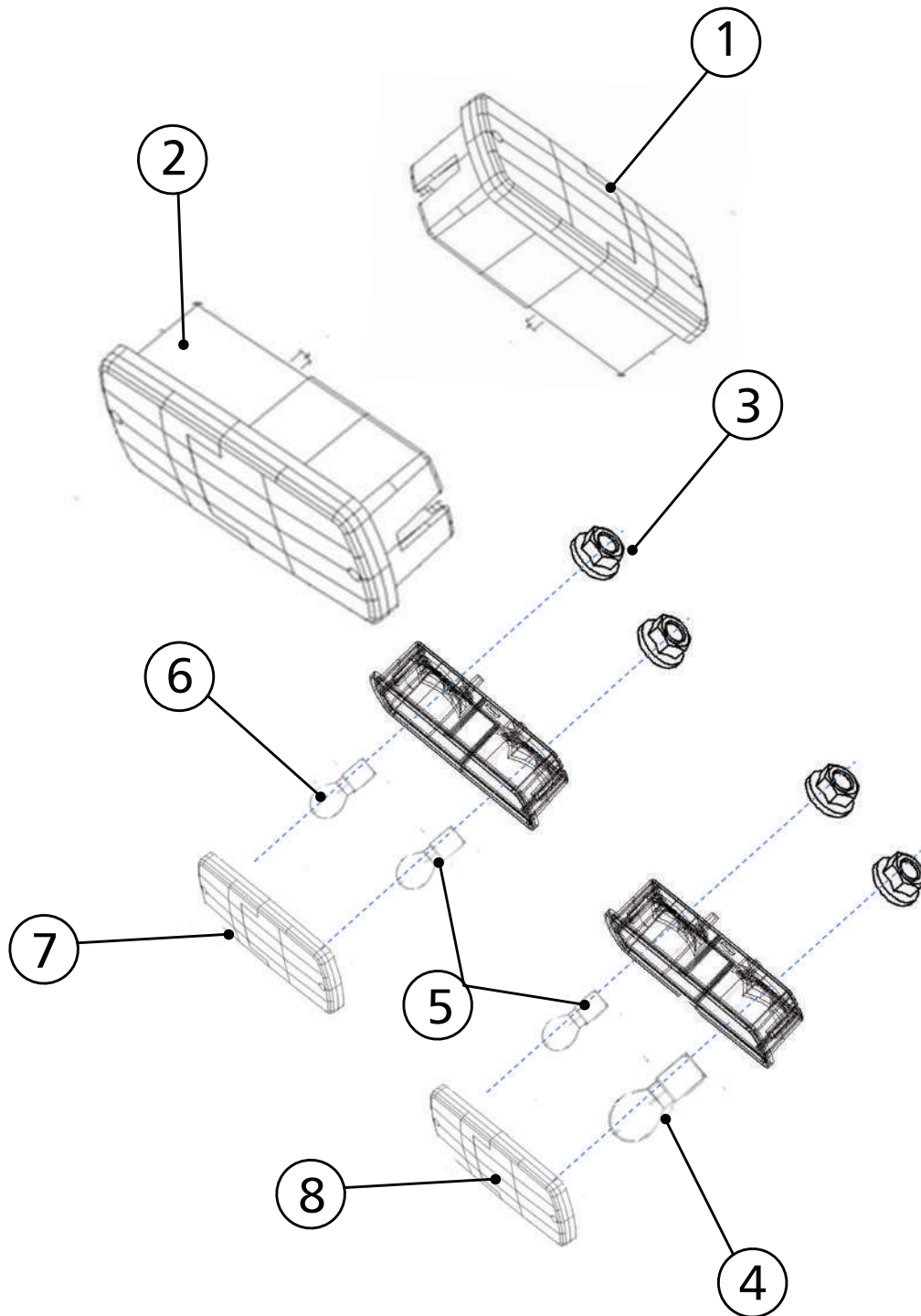
HEAD LAMP



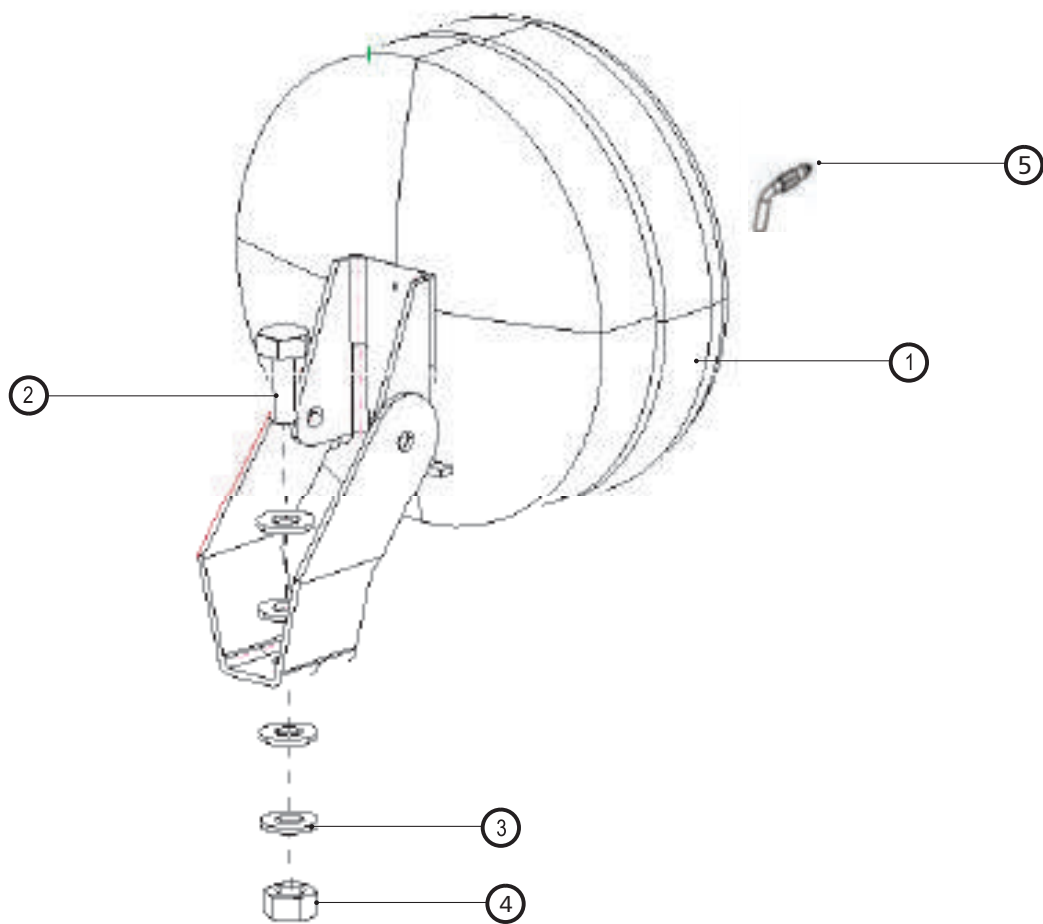
M&M Part Number	Ref.	Description of Part	Quantity		Remarks / Service Bulletin No.
			3DI	4DI	
007701879V91	A	HEAD LAMP RH	1	1	
007701880V91	B	HEAD LAMP LH	1	1	
000020311E05	C	BOLT M6X 16	8	8	
‡	1	HOUSING COMP	1	1	
‡	2	LENS	1	1	
‡	3	BEZEL	1	1	
‡	4	LOW BEAM/HIGH BEAM REFLECTOR	1	1	
007702901V1	5	BRACKET LOCK SPRING	2	2	
007701909C1	6	DUST CAP	2	2	
005557947R1	7	BULB H4 65/60W	2	2	
007701905C1	8	BREATHER COMP /CAP VENT	6	6	
‡	9	CLINTCHING WASHER	2	2	
‡	10	ADJUSTING SCREW COMP.(WITH KNOB)	2	2	
‡	11	INSERT (M6 X15)	2	2	
007702905V1	12	LOCK SPRING	2	2	
‡	13	O RING	2	2	
‡	14	LEVELLING BUSH	1	1	
‡	15	PIVOT	1	1	
‡	16	SPECIAL NUT	2	2	
007702906V1	17	SCREW BT4 WITH WASHER	16	16	
007702907V1	18	SCREW BT8	2	2	
‡	19	KNOB	2	2	

* Parts Not Illustrated / ‡ Not Serviceable Separately / ♦ Alternate Part Number / A/R As Required

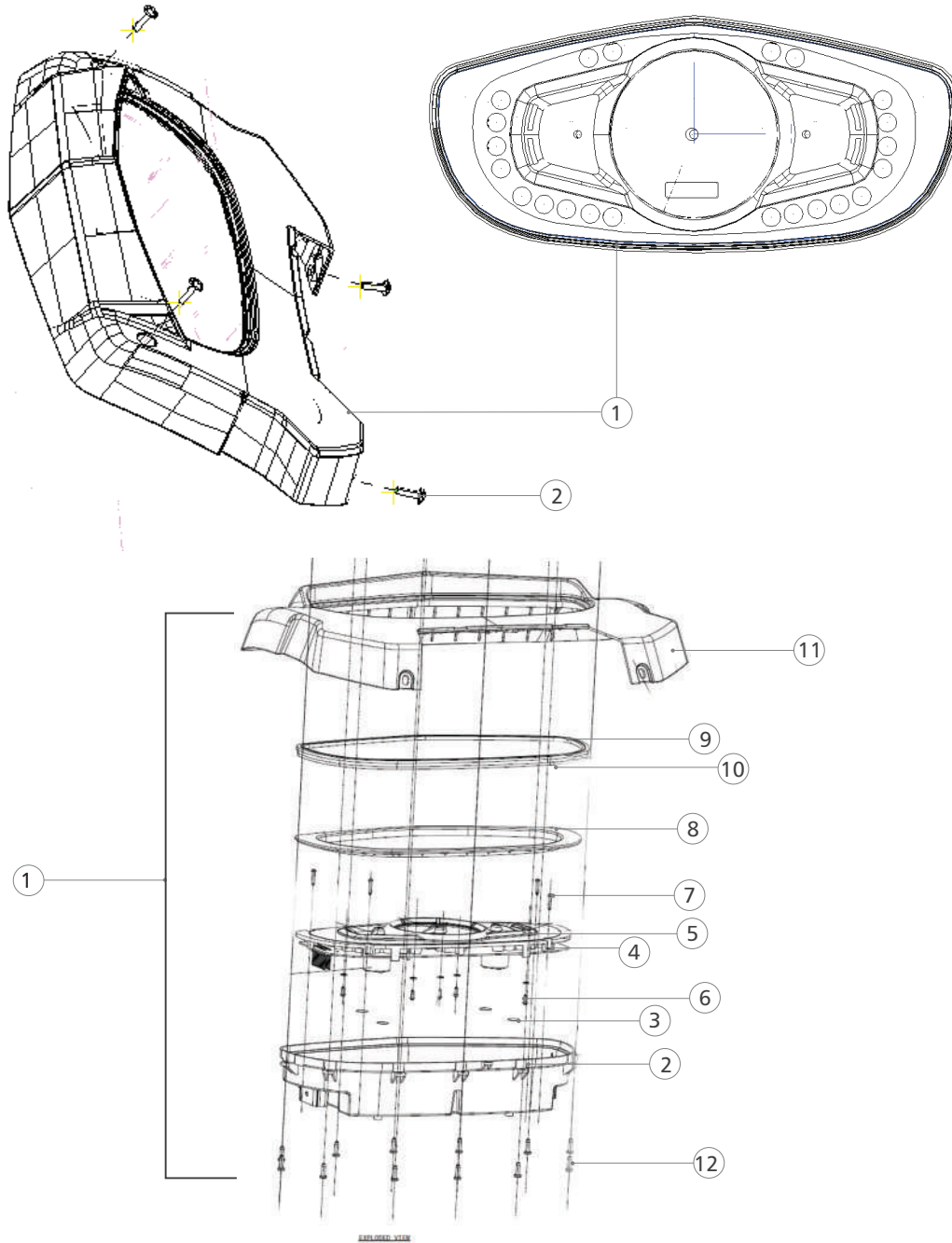
P&T LAMP AND COMBINATION LAMP



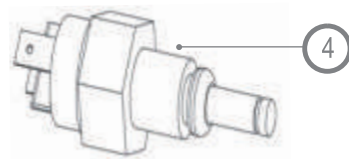
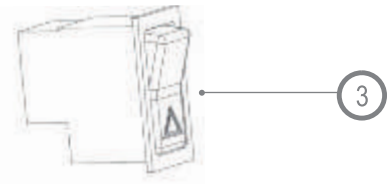
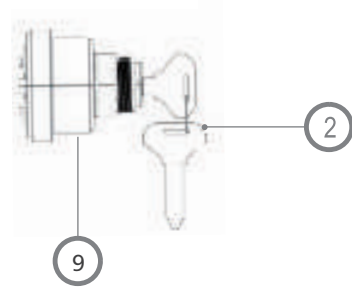
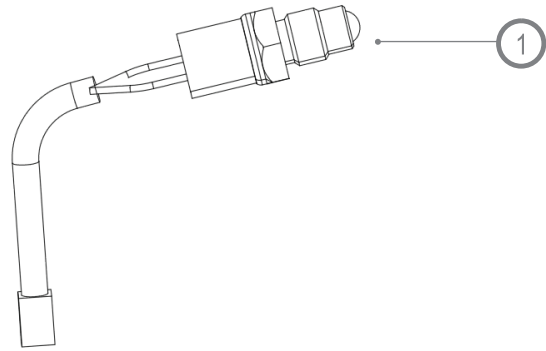
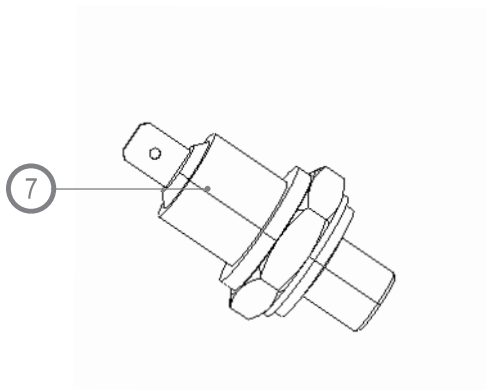
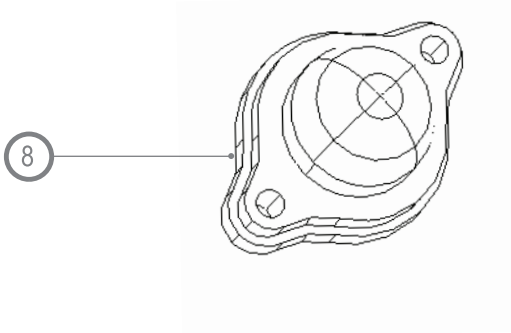
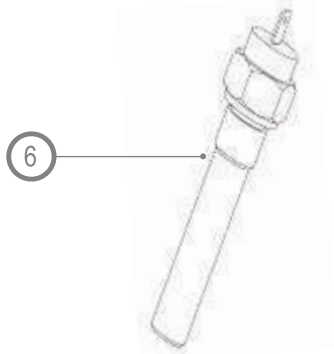
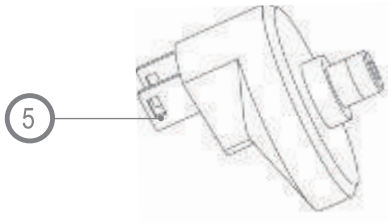
PLOUGH LAMP



INSTRUMENT CLUSTER



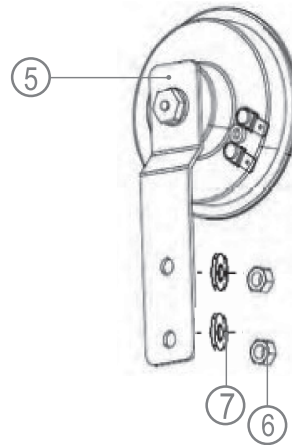
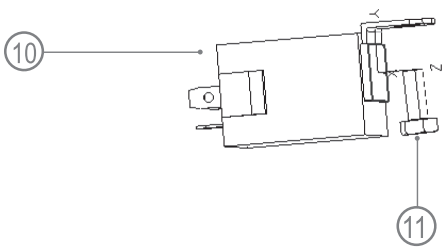
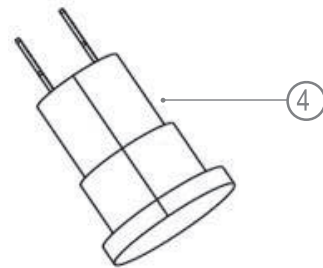
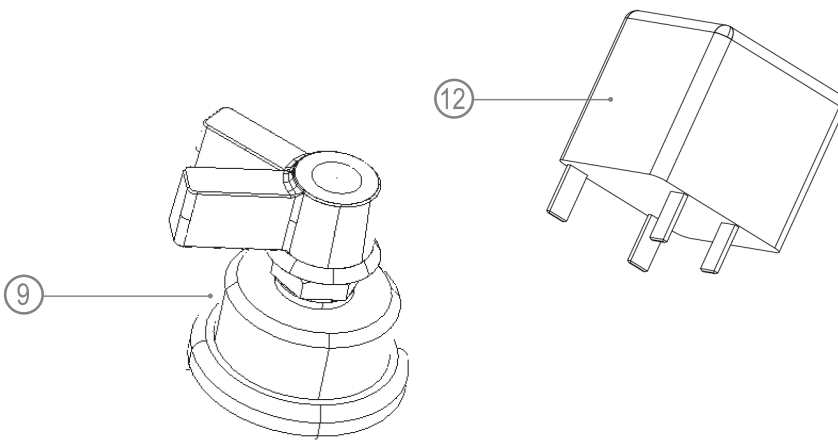
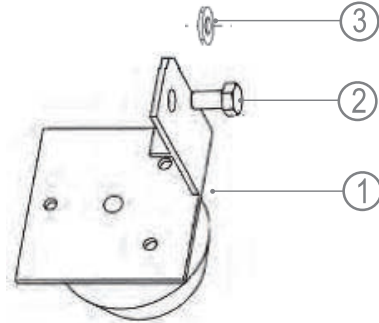
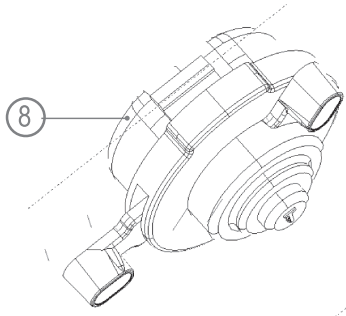
SENSORS AND SWITCHES



SENSORS AND SWITCHES

M&M Part Number	Ref.	Description of Part	Quantity		Remarks / Service Bulletin No.
			3DI	4DI	
007702760V91	1	NEUTRAL SAFETY SWITCH	1	1	
006015681C91	2	KEY	1	1	
005558699R92	3	HAZARD SWITCH	1	1	
007702759V91	4	BRAKE SWITCH	1	1	
008000579B91	5	AIR CLOG SENSOR	1	1	
005551426R2	6	TEMPERATURE SENSOR	1	1	
000013085P05	7	LOW OIL PRESSURE SWITCH	1	1	
005557975R91	8	REGISTRATION PLATE LAMP	1	1	
007701402C92	9	STARTER SWITCH	1	1	

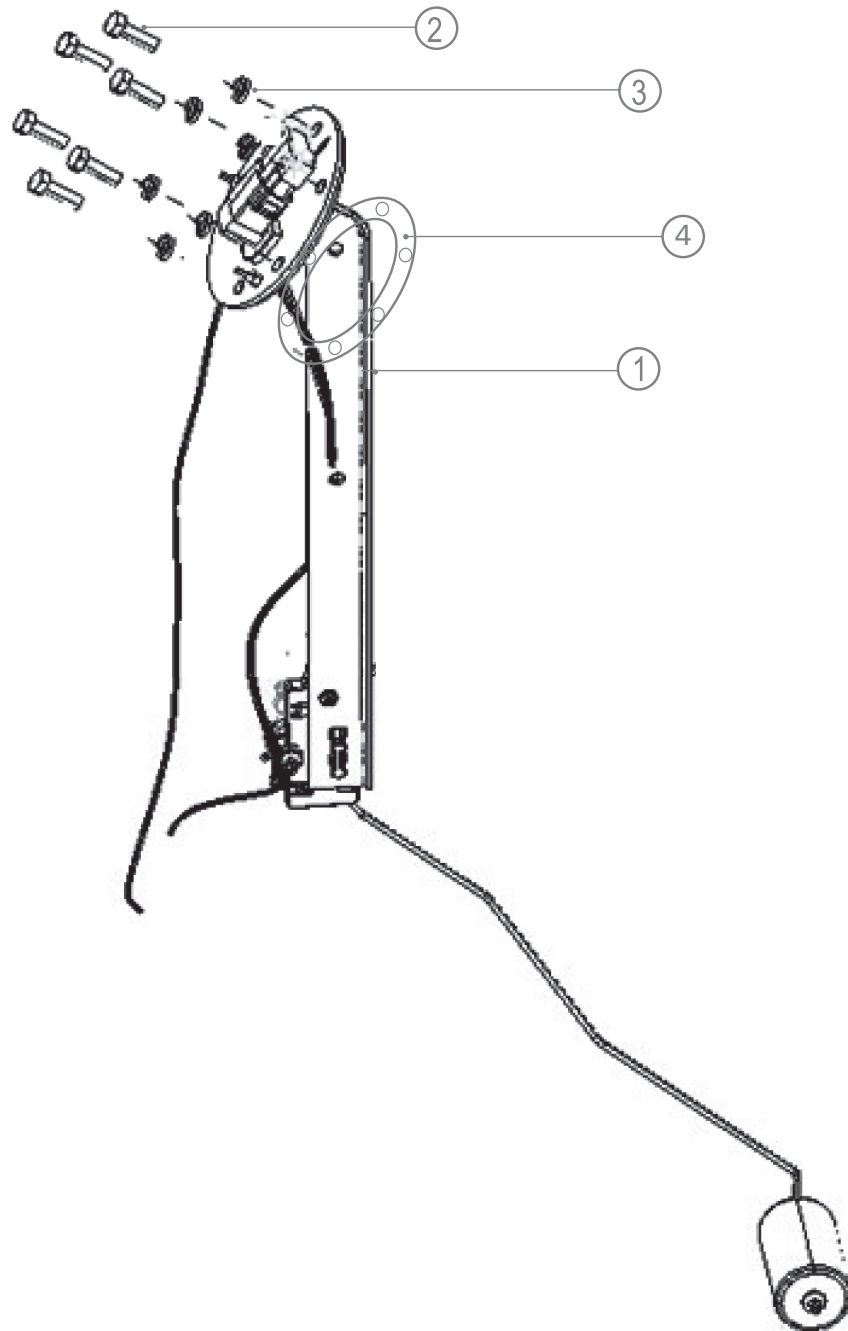
COMBINATION SWITCH ,HORN AND POWER SOCKETS



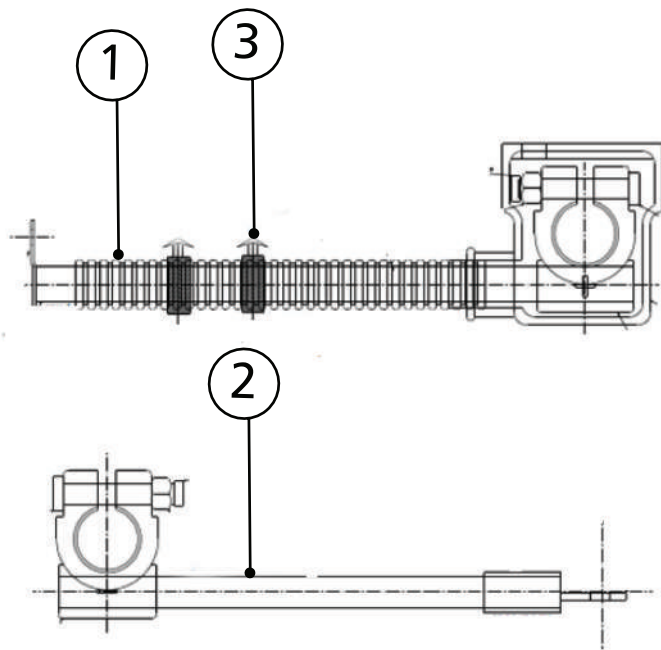
COMBINATION SWITCH ,HORN AND POWER SOCKETS

M&M Part Number	Ref.	Description of Part	Quantity		Remarks / Service Bulletin No.
			3DI	4DI	
007700371B92	1	7 POLE SOCKET	1	1	
001081607R1	2	BOLT 8 MM X 1.25 MM X 20	1	1	
001082361R2	3	WASHER G 7.938MM SPRING LOC-PLATED	1	1	
007701185C91	4	MOBILE CHARGER SOCKET	1	1	
007700750B91	5	HORN	1	1	
001233807R1	6	NUT M6X1.00X16.5X8.8	2	2	
001233808R1	7	SPRING WASHER	2	2	
007700964B91	8	COMBINATION SWITCH	1	1	
007702048B91	9	PLOUGH LAMP SWITCH	1	1	
005553086R95	10	FLASHER RELAY WITH LOCTITE E90FL INTERFA	1	1	
000020311E05	11	Bolt M6 x 16	1	1	
000013084P05	12	STARTER RELAY	1	1	

FUEL LEVEL SENSOR



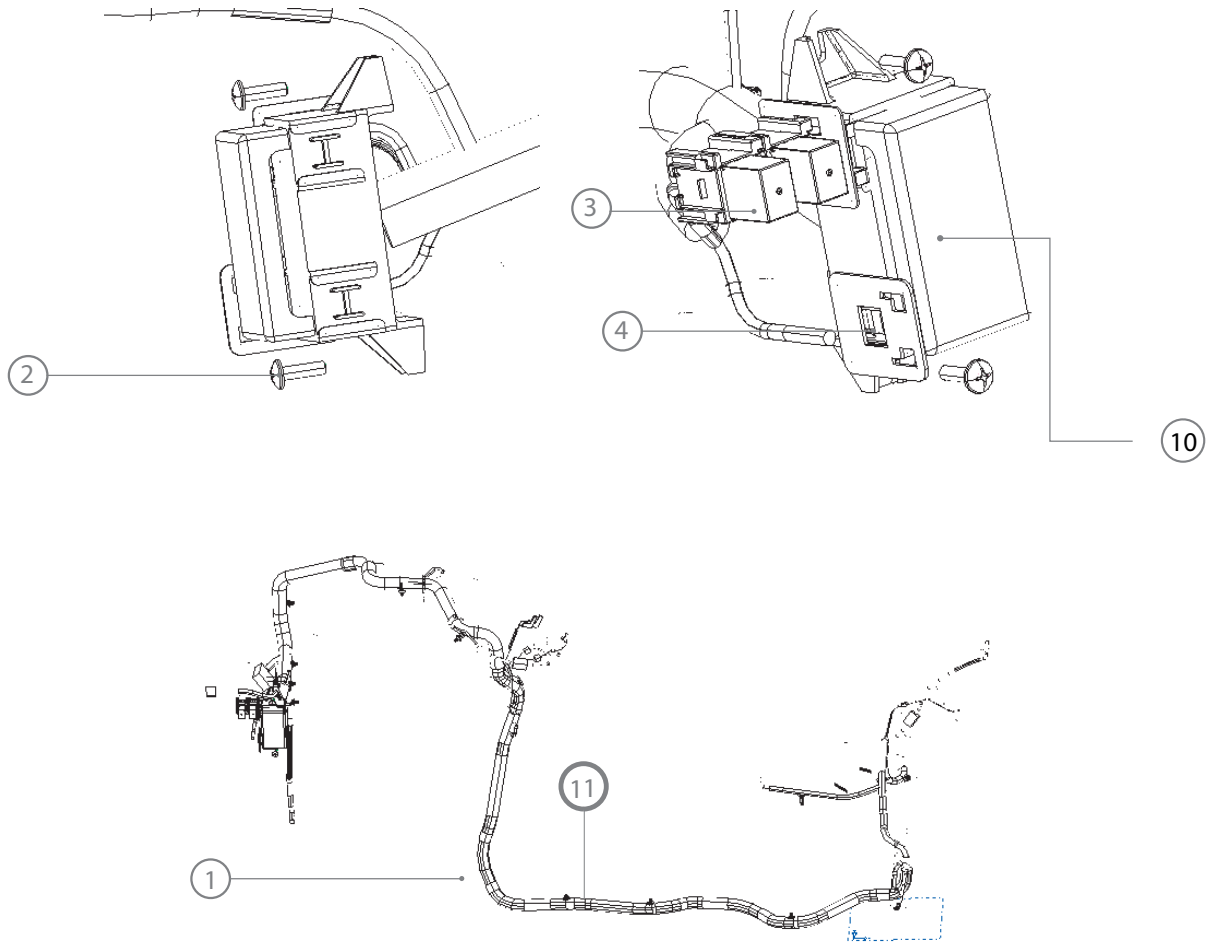
BATTERY



M&M Part Number	Ref.	Description of Part	Quantity		Remarks / Service Bulletin No.
			3DI	4DI	
007701894V91	1	BATTERY cable +ve	1	1	
007702019V91	2	BATTERY cable -ve	1	1	
007702772V91	3	CABLE TIE	40	40	
‡	4	BATTERY	1	1	

CABLES (SCUTTLE)

5-8



5



6

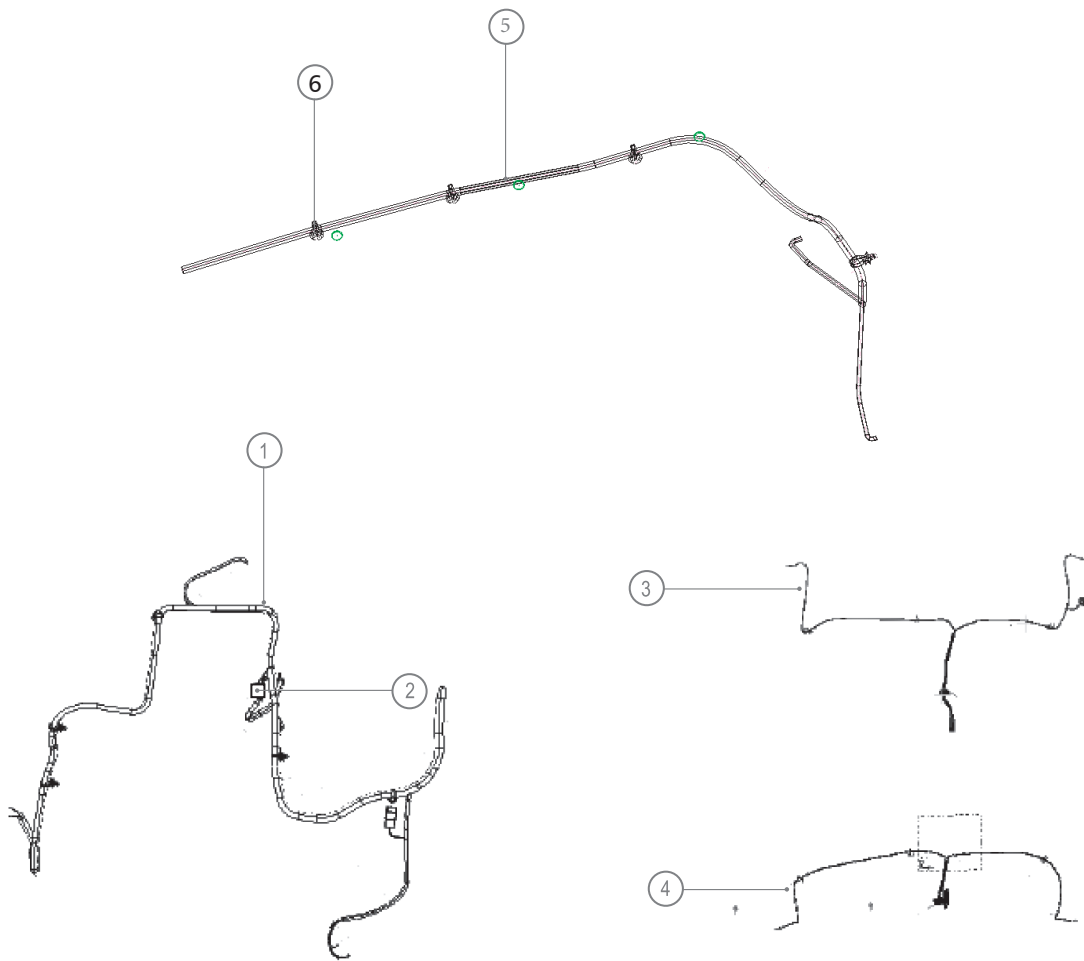


7

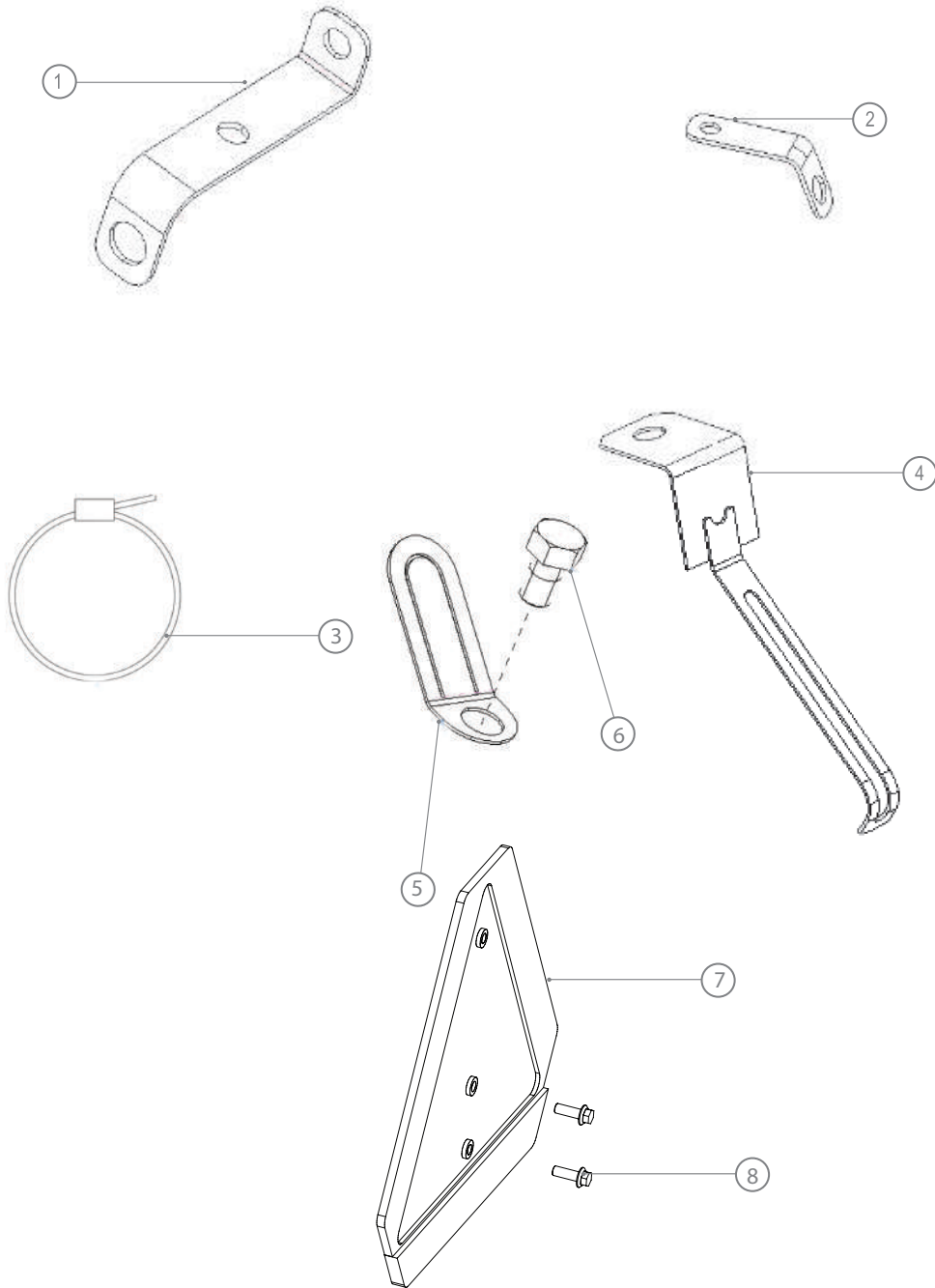


8

WIRING HARNESS



CLIPS



M&M Part Number	Ref.	Description of Part	Quantity		Remarks / Service Bulletin No.
			3DI	4DI	
007702170V91	1	L CLIP-LONG	1	1	
007702188V91	2	L CLIP-SHORT	2	4	
007700625B1	3	TIE CLIP	3	3	
005559255B1	4	WELD CLIP	1	-	
000708117R2	5	CABLE CLIP	3	3	
000020324E05	6	M10 BOLT	2	2	
007700973B91	7	SMALLER SMV (TRI-ANGLE)	1	1	
‡	8	M6 screw for SMV tringle	2	2	

* Parts Not Illustrated / ‡ Not Serviceable Separately / ◆ Alternate Part Number / A/R As Required